
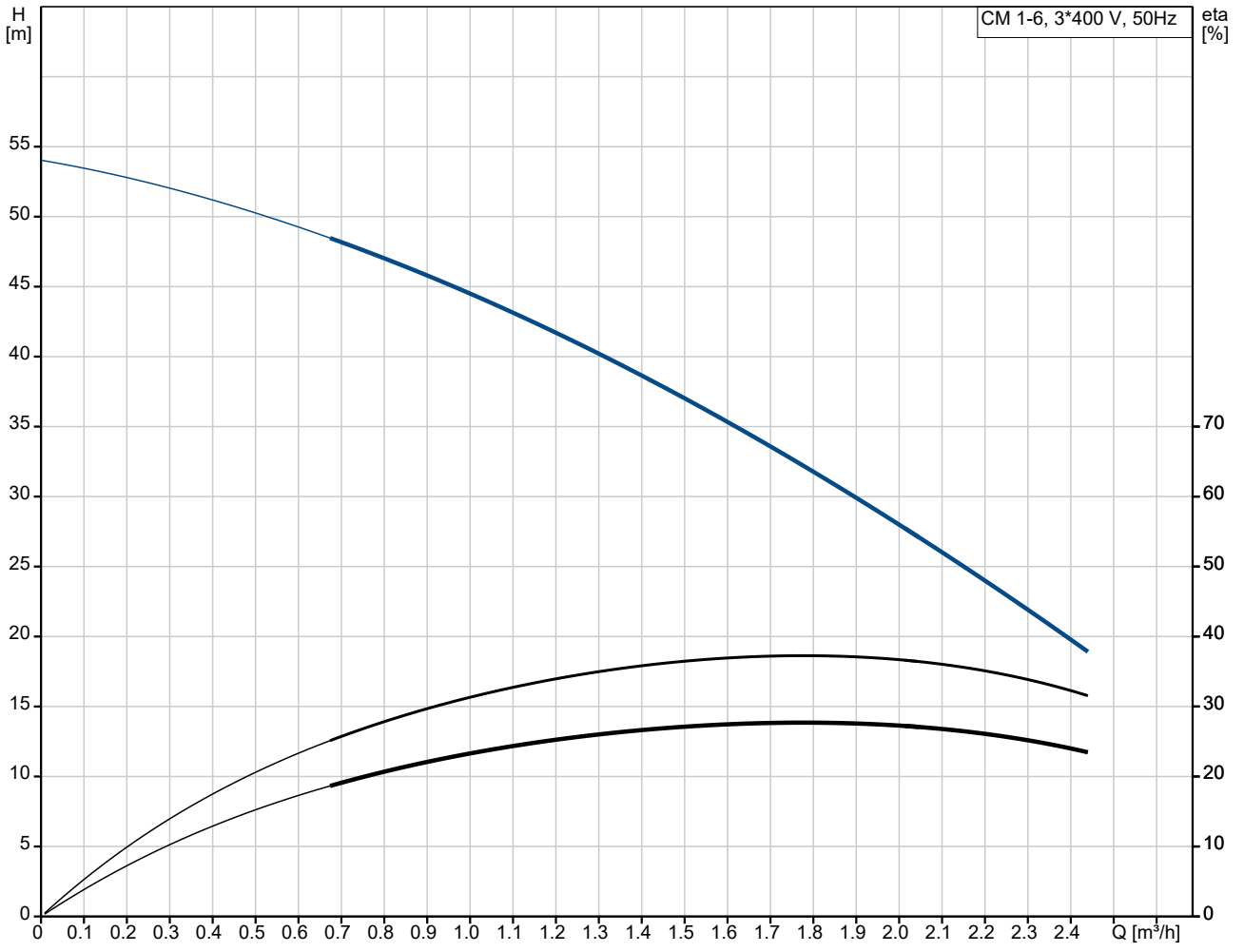


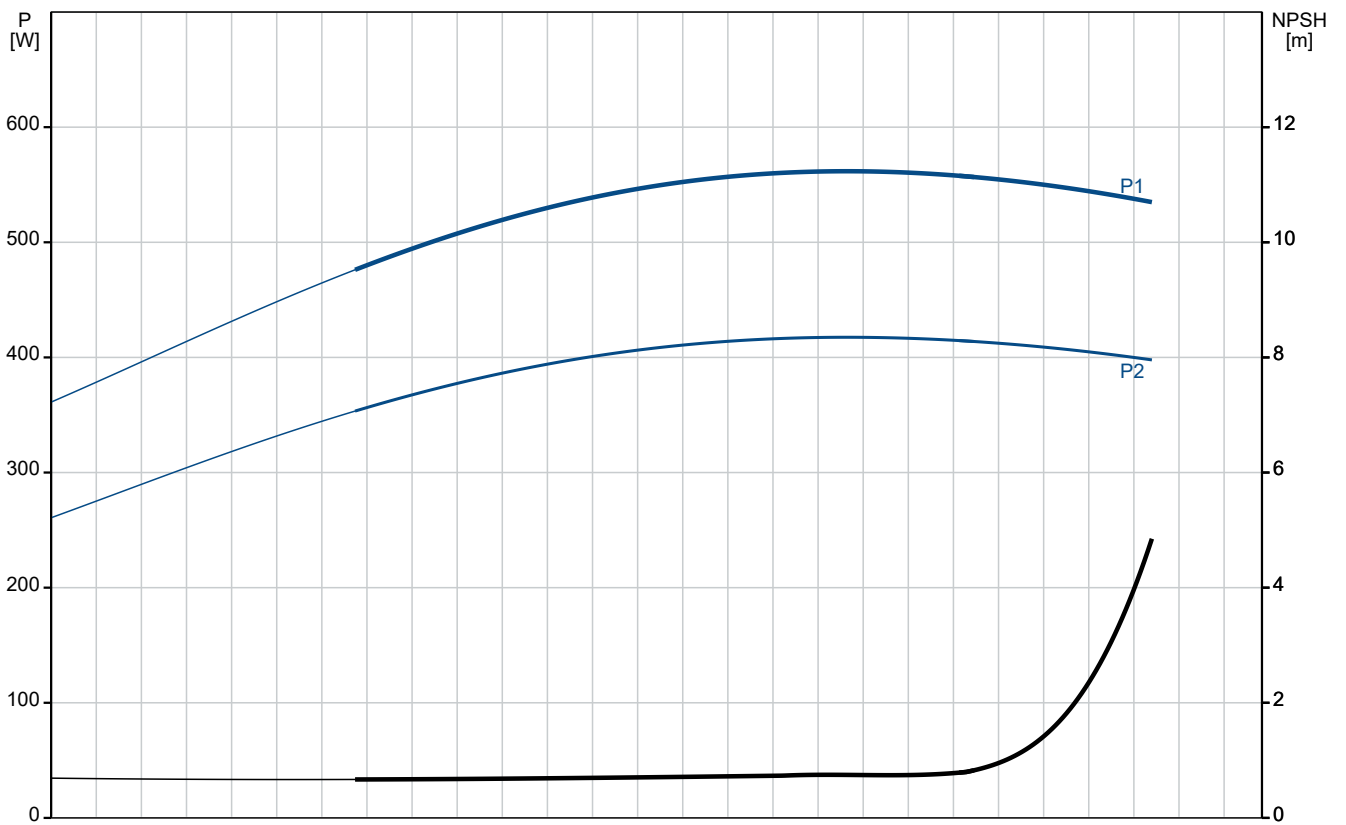
Qty.	Description
1	<p data-bbox="193 159 558 190">CM 1-6 A-R-G-V-AQQV F-A-A-N</p>  <p data-bbox="592 510 1062 533" style="text-align: center;">Note! Product picture may differ from actual product</p> <p data-bbox="193 539 478 566">Product No.: On request</p> <p data-bbox="193 600 1458 674">Compact, reliable, horizontal, multistage, end-suction centrifugal pump with axial suction port and radial discharge port. Pump materials in contact with the liquid are in high-grade stainless steel. The mechanical shaft seal is a special designed, unbalanced O-ring seal. Pipework connection is via internal Whitworth pipe threads, Rp (ISO 7/1).</p> <p data-bbox="193 712 1070 739">The pump is fitted with a 3-phase, foot-mounted, fan-cooled asynchronous motor.</p> <p data-bbox="193 772 300 799">Controls:</p> <p data-bbox="193 799 635 826">Frequency converter: NONE</p> <p data-bbox="193 860 276 887">Liquid:</p> <p data-bbox="193 887 632 913">Pumped liquid: Water</p> <p data-bbox="193 913 687 940">Liquid temperature range: -20 .. 90 °C</p> <p data-bbox="193 940 628 967">Selected liquid temperature: 20 °C</p> <p data-bbox="193 967 695 994">Density: 998.2 kg/m³</p> <p data-bbox="193 1037 312 1064">Technical:</p> <p data-bbox="193 1064 818 1090">Pump speed on which pump data are based: 2900 rpm</p> <p data-bbox="193 1090 655 1120">Rated flow: 1.7 m³/h</p> <p data-bbox="193 1120 655 1146">Rated head: 37.76 m</p> <p data-bbox="193 1146 635 1173">Code for shaft seal: AQQV</p> <p data-bbox="193 1173 730 1200">Approvals: CE,EAC,UKCA</p> <p data-bbox="193 1200 831 1227">Approvals for drinking water: WRAS,ACS,NSF61,UBA</p> <p data-bbox="193 1227 759 1254">Curve tolerance: ISO9906:2012 3B</p> <p data-bbox="193 1301 308 1328">Materials:</p> <p data-bbox="193 1328 722 1417">Pump housing: Stainless steel EN 1.4401 AISI 316</p> <p data-bbox="193 1417 722 1507">Impeller: Stainless steel EN 1.4401 AISI 316</p> <p data-bbox="193 1541 325 1568">Installation:</p> <p data-bbox="193 1568 687 1594">Range of ambient temperature: -20 .. 55 °C</p> <p data-bbox="193 1594 635 1621">Maximum operating pressure: 16 bar</p> <p data-bbox="193 1621 715 1686">Max pressure at stated temp: 16 bar / 90 °C 16 bar / 90 °C</p> <p data-bbox="193 1686 596 1713">Type of connection: Rp</p> <p data-bbox="193 1713 632 1740">Size of inlet connection: 1 inch</p> <p data-bbox="193 1740 632 1767">Size of outlet connection: 1 inch</p> <p data-bbox="193 1767 596 1794">Outlet position: 12</p> <p data-bbox="193 1836 360 1863">Electrical data:</p> <p data-bbox="193 1863 608 1890">Motor standard: IEC</p> <p data-bbox="193 1890 608 1917">Frame size: 71A</p> <p data-bbox="193 1917 655 1944">Rated power - P2: 0.46 kW</p> <p data-bbox="193 1944 632 1971">Mains frequency: 50 Hz</p> <p data-bbox="193 1971 584 1998">Suitable for 50/60 Hz: N</p> <p data-bbox="193 1998 847 2024">Rated voltage: 3 x 220-240D/380-415Y V</p> <p data-bbox="193 2024 608 2051">Service factor: 1.00</p> <p data-bbox="193 2051 746 2078">Rated current: 2,0-2,2/1,0-1,2 A</p>

Qty.	Description
1	<p>Starting current: 490-530 % Rated speed: 2770-2820 rpm Enclosure class (IEC 34-5): IP55 Insulation class (IEC 85): F Built-in motor protection: NONE Cable included (Yes/No): N</p> <p>Others: Terminal box position: 12 Minimum efficiency index, MEI ≥: 0.68 Net weight: 13 kg Gross weight: 15.5 kg Country of origin: TW Custom tariff no.: 84137042</p>

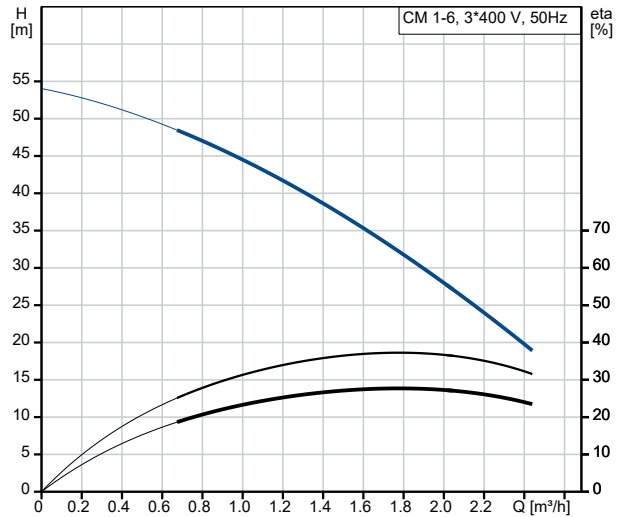
On request CM 1-6 A-R-G-V-AQQV F-A-A-N 50 Hz



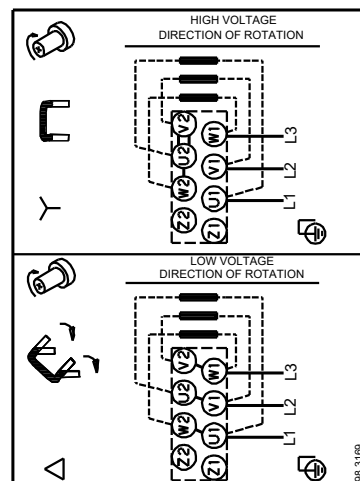
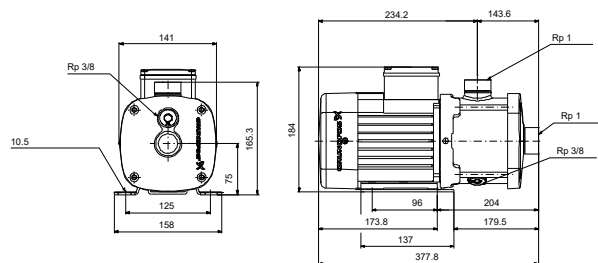
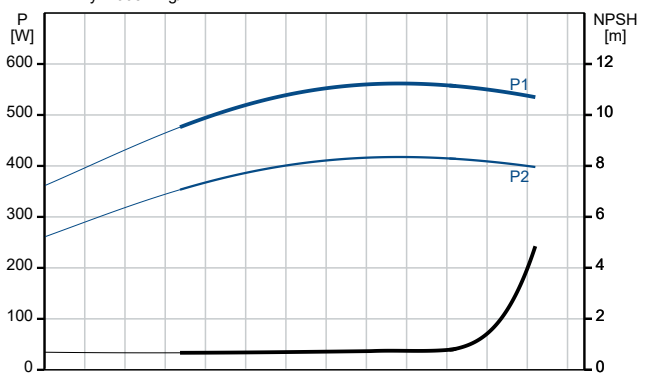
Pumped liquid = Water
 Liquid temperature during operation = 20 °C
 Density = 998.2 kg/m³



Description	Value
General information:	
Product name:	CM 1-6 A-R-G-V-AQQV F-A-A-N
Product No:	On request
EAN number:	On request
Technical:	
Pump speed on which pump data are based:	2900 rpm
Rated flow:	1.7 m ³ /h
Rated head:	37.76 m
Impellers:	6
Code for shaft seal:	AQQV
Approvals:	CE,EAC,UKCA
Approvals for drinking water:	WRAS,ACS,NSF61,UBA
Curve tolerance:	ISO9906:2012 3B
Pump version:	A
Model:	A
Materials:	
Pump housing:	Stainless steel
Pump housing:	EN 1.4401
Pump housing:	AISI 316
Impeller:	Stainless steel
Impeller:	EN 1.4401
Impeller:	AISI 316
Material code:	G
Code for rubber:	V
Installation:	
Range of ambient temperature:	-20 .. 55 °C
Maximum operating pressure:	16 bar
Max pressure at stated temp:	16 bar / 90 °C
Max pressure at stated temp:	16 bar / 90 °C
Type of connection:	Rp
Size of inlet connection:	1 inch
Size of outlet connection:	1 inch
Outlet position:	12
Connect code:	R
Liquid:	
Pumped liquid:	Water
Liquid temperature range:	-20 .. 90 °C
Selected liquid temperature:	20 °C
Density:	998.2 kg/m ³
Electrical data:	
Motor standard:	IEC
Frame size:	71A
Rated power - P2:	0.46 kW
Mains frequency:	50 Hz
Suitable for 50/60 Hz:	N
Rated voltage:	3 x 220-240D/380-415Y V
Service factor:	1.00
Rated current:	2,0-2,2/1,0-1,2 A
Starting current:	490-530 %
Rated speed:	2770-2820 rpm
Enclosure class (IEC 34-5):	IP55
Insulation class (IEC 85):	F
Built-in motor protection:	NONE
Cable included (Yes/No):	N
Controls:	
Frequency converter:	NONE
Others:	
Terminal box position:	12
Minimum efficiency index, MEI ≥:	0.68
Net weight:	13 kg
Gross weight:	15.5 kg
Country of origin:	TW



Pumped liquid = Water
Liquid temperature during operation = 20 °C
Density = 998.2 kg/m³

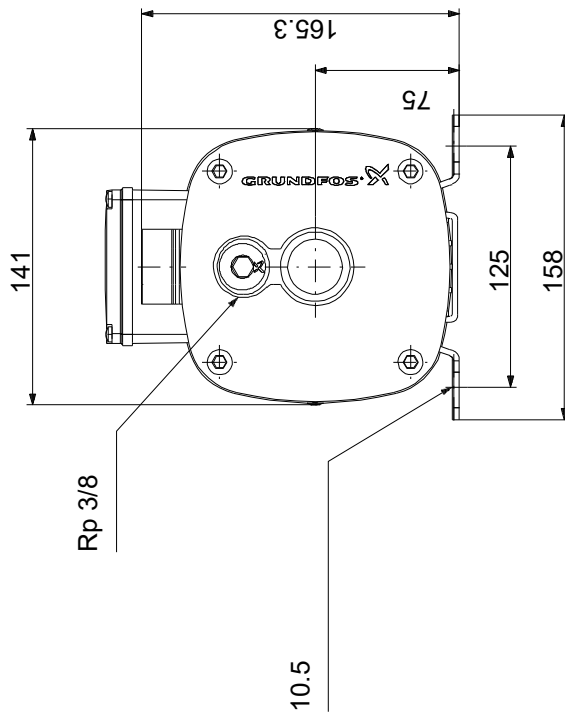
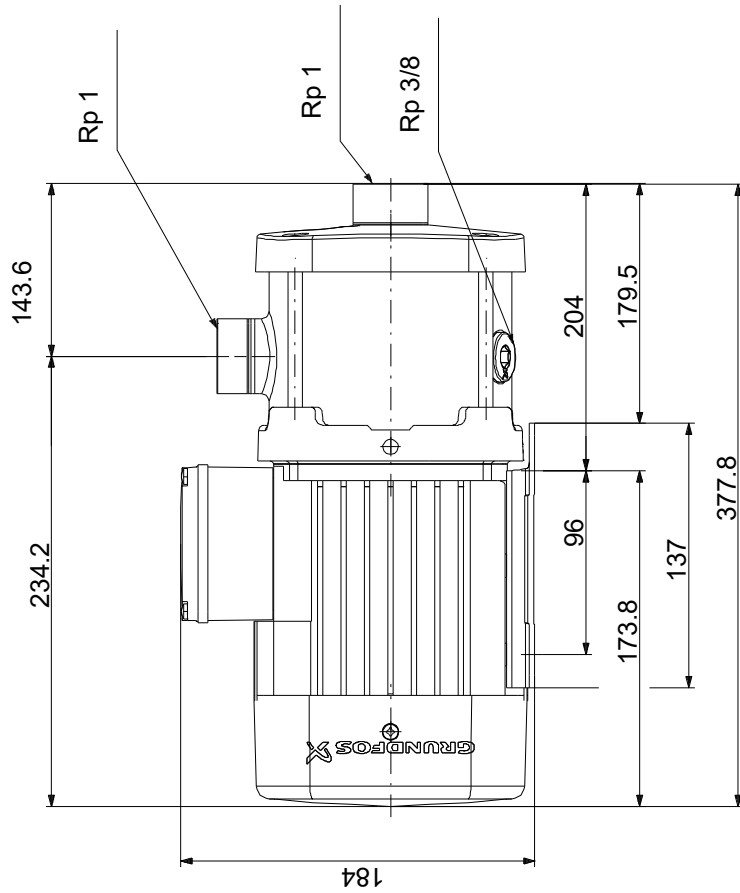


Description**Value**

Custom tariff no.:

84137042

On request CM 1-6 A-R-G-V-AQQV F-A-A-N 50 Hz



Note! All units are in [mm] unless others are stated.
 Disclaimer: This simplified dimensional drawing does not show all details.