
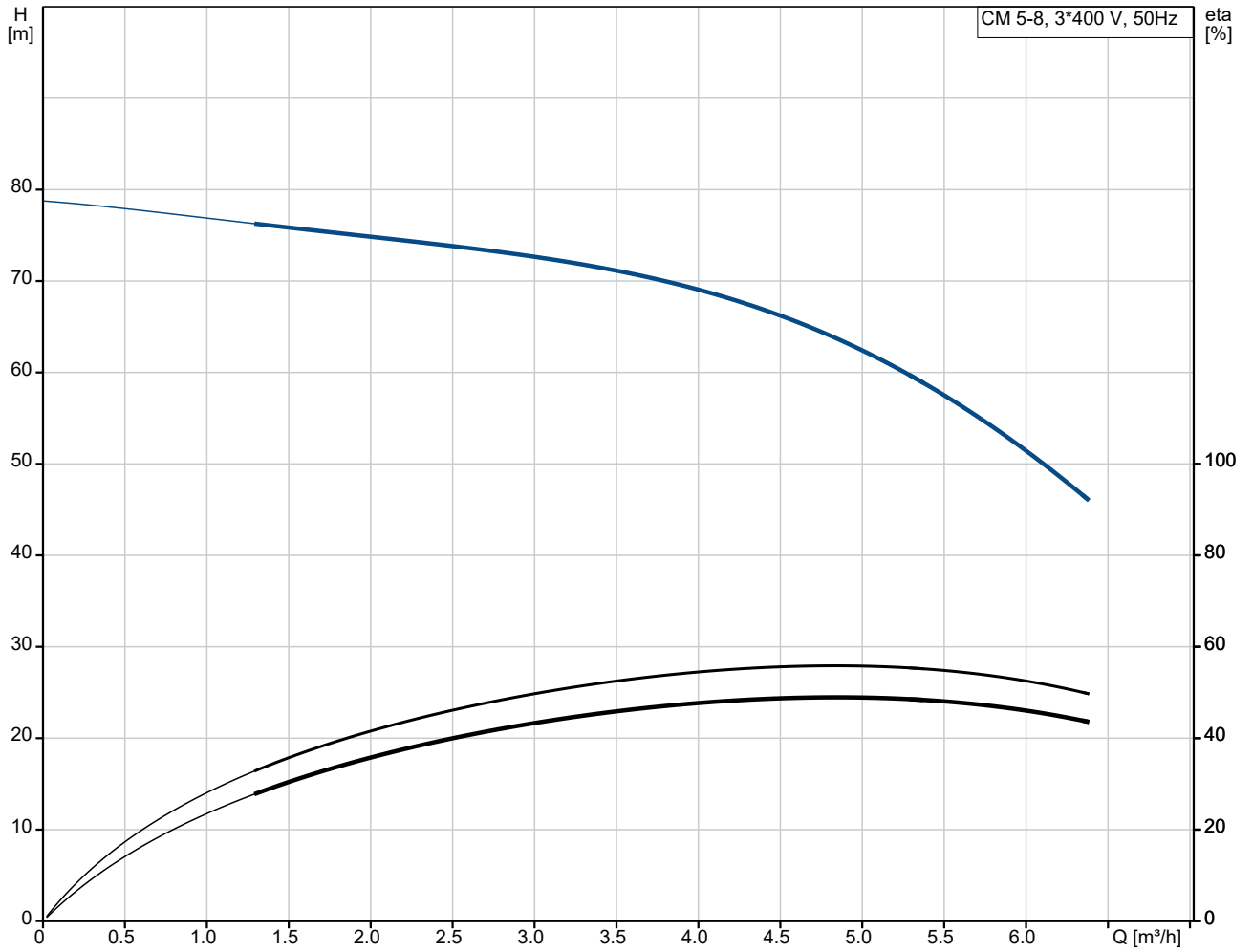


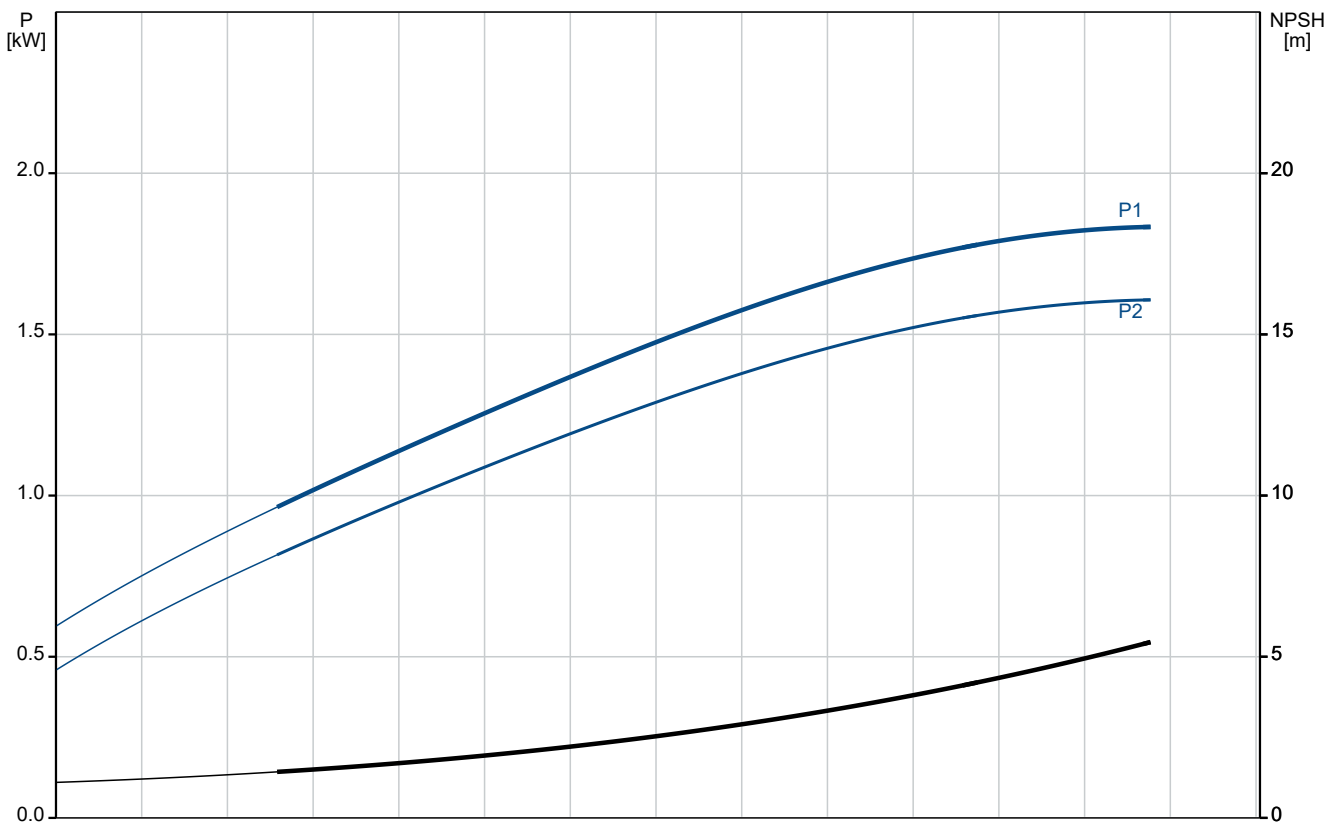
Qty.	Description
1	<p data-bbox="196 159 555 185">CM 5-8 A-R-A-E-AVBE F-A-A-N</p> <div data-bbox="256 297 507 450" style="text-align: center;">  </div> <p data-bbox="592 506 1062 528" style="text-align: center;">Note! Product picture may differ from actual product</p> <p data-bbox="196 539 480 562">Product No.: On request</p> <p data-bbox="196 600 1437 696">Compact, reliable, horizontal, multistage, end-suction centrifugal pump with axial suction port and radial discharge port. The shaft, impellers and chambers are made of stainless steel. The inlet and discharge parts are made of cast iron. The mechanical shaft seal is a special designed, unbalanced O-ring seal. Pipework connection is via internal Whitworth pipe threads, Rp (ISO 7/1).</p> <p data-bbox="196 712 1070 734">The pump is fitted with a 3-phase, foot-mounted, fan-cooled asynchronous motor.</p> <p data-bbox="196 772 300 795">Controls:</p> <p data-bbox="196 801 635 824">Frequency converter: NONE</p> <p data-bbox="196 862 276 884">Liquid:</p> <p data-bbox="196 891 635 913">Pumped liquid: Water</p> <p data-bbox="196 920 691 943">Liquid temperature range: -20 .. 40 °C</p> <p data-bbox="196 949 635 972">Selected liquid temperature: 20 °C</p> <p data-bbox="196 978 699 1001">Density: 998.2 kg/m³</p> <p data-bbox="196 1039 316 1061">Technical:</p> <p data-bbox="196 1068 818 1090">Pump speed on which pump data are based: 2900 rpm</p> <p data-bbox="196 1097 659 1120">Rated flow: 4.7 m³/h</p> <p data-bbox="196 1126 659 1149">Rated head: 62.39 m</p> <p data-bbox="196 1155 635 1178">Code for shaft seal: AVBE</p> <p data-bbox="196 1184 730 1207">Approvals: CE,EAC,UKCA</p> <p data-bbox="196 1214 699 1236">Approvals for drinking water: ACS,NSF61</p> <p data-bbox="196 1243 762 1265">Curve tolerance: ISO9906:2012 3B</p> <p data-bbox="196 1303 308 1326">Materials:</p> <p data-bbox="196 1332 738 1417">Pump housing: Cast iron EN-GJL-200 ASTM A48-25A</p> <p data-bbox="196 1424 722 1509">Impeller: Stainless steel EN 1.4301 AISI 304</p> <p data-bbox="196 1547 323 1570">Installation:</p> <p data-bbox="196 1576 691 1599">Range of ambient temperature: -20 .. 55 °C</p> <p data-bbox="196 1606 635 1628">Maximum operating pressure: 10 bar</p> <p data-bbox="196 1635 722 1688">Max pressure at stated temp: 10 bar / 40 °C 10 bar / 40 °C</p> <p data-bbox="196 1695 595 1718">Type of connection: Rp</p> <p data-bbox="196 1724 675 1747">Size of inlet connection: 1 1/4 inch</p> <p data-bbox="196 1753 635 1776">Size of outlet connection: 1 inch</p> <p data-bbox="196 1783 595 1805">Outlet position: 12</p> <p data-bbox="196 1843 363 1865">Electrical data:</p> <p data-bbox="196 1872 611 1895">Motor standard: IEC</p> <p data-bbox="196 1901 627 1924">Frame size: 90LE</p> <p data-bbox="196 1930 603 1953">IE efficiency class: IE3</p> <p data-bbox="196 1960 643 1982">Rated power - P2: 2.2 kW</p> <p data-bbox="196 1989 635 2011">Mains frequency: 50 Hz</p> <p data-bbox="196 2018 587 2040">Suitable for 50/60 Hz: N</p> <p data-bbox="196 2047 850 2069">Rated voltage: 3 x 220-240D/380-415Y V</p> <p data-bbox="196 2076 611 2098">Service factor: 1.00</p>

Qty.	Description
1	<p>Rated current: 8.00/4.60 A Starting current: 840-920 % Rated speed: 2890-2910 rpm Enclosure class (IEC 34-5): IP55 Insulation class (IEC 85): F Built-in motor protection: NONE Cable included (Yes/No): N</p> <p>Others: Terminal box position: 12 Minimum efficiency index, MEI ≥: 0.7 Net weight: 27.6 kg Gross weight: 30.1 kg Country of origin: TW Custom tariff no.: 84137042</p>

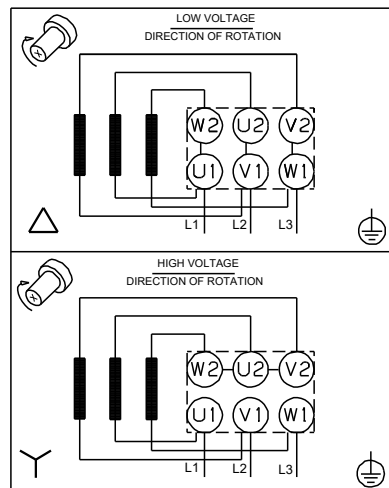
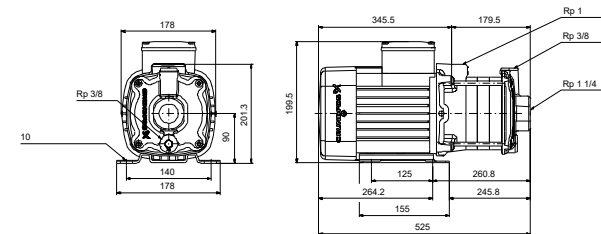
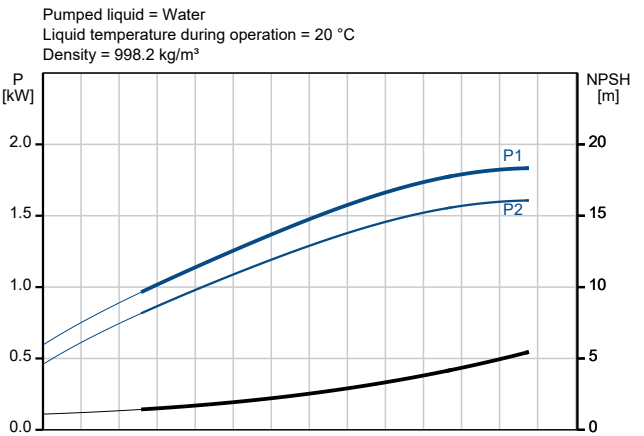
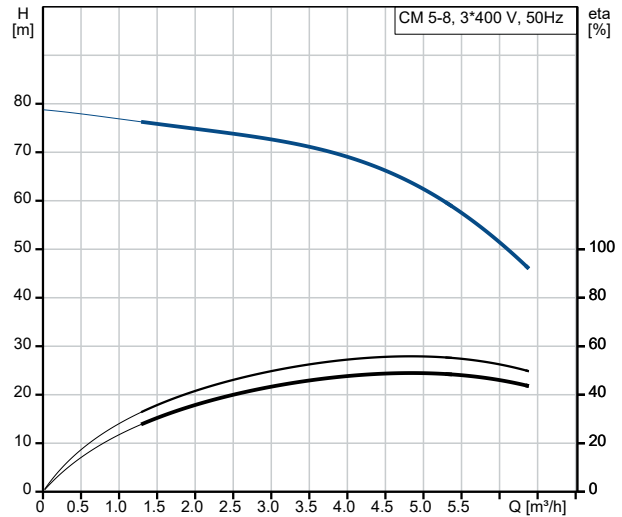
On request CM 5-8 A-R-A-E-AVBE F-A-A-N 50 Hz



Pumped liquid = Water
 Liquid temperature during operation = 20 °C
 Density = 998.2 kg/m³

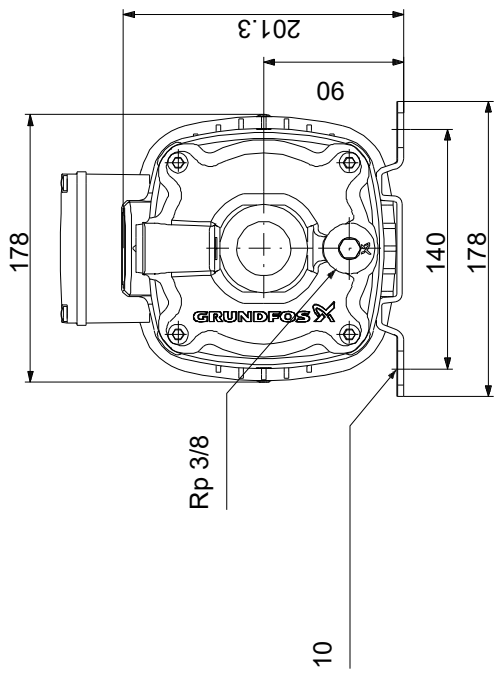
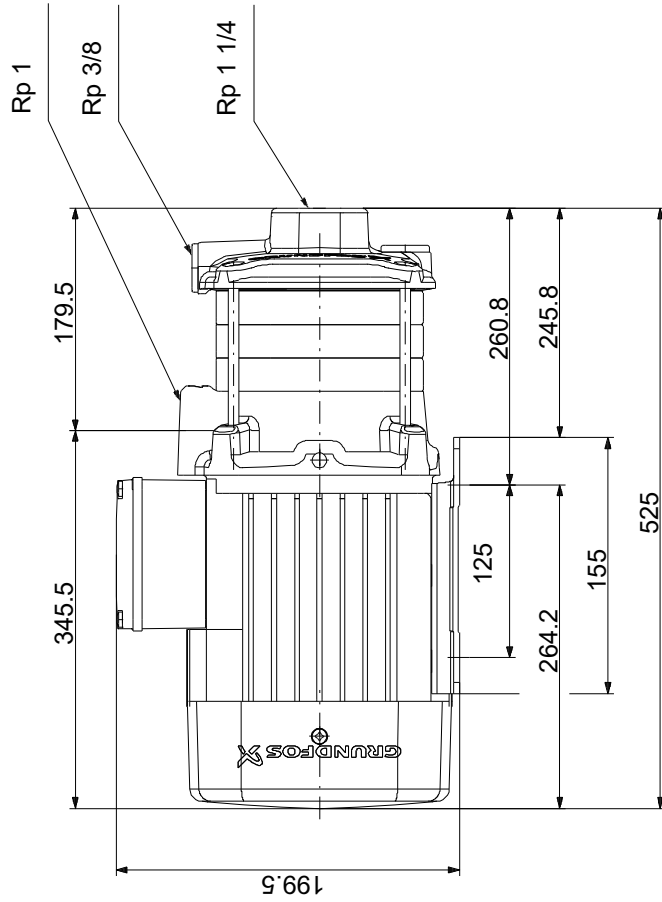


Description	Value
General information:	
Product name:	CM 5-8 A-R-A-E-AVBE F-A-A-N
Product No:	On request
EAN number:	On request
Technical:	
Pump speed on which pump data are based:	2900 rpm
Rated flow:	4.7 m ³ /h
Rated head:	62.39 m
Impellers:	8
Code for shaft seal:	AVBE
Approvals:	CE, EAC, UKCA
Approvals for drinking water:	ACS, NSF61
Curve tolerance:	ISO9906:2012 3B
Pump version:	A
Model:	A
Materials:	
Pump housing:	Cast iron
Pump housing:	EN-GJL-200
Pump housing:	ASTM A48-25A
Impeller:	Stainless steel
Impeller:	EN 1.4301
Impeller:	AISI 304
Material code:	A
Code for rubber:	E
Installation:	
Range of ambient temperature:	-20 .. 55 °C
Maximum operating pressure:	10 bar
Max pressure at stated temp:	10 bar / 40 °C
Max pressure at stated temp:	10 bar / 40 °C
Type of connection:	Rp
Size of inlet connection:	1 1/4 inch
Size of outlet connection:	1 inch
Outlet position:	12
Connect code:	R
Liquid:	
Pumped liquid:	Water
Liquid temperature range:	-20 .. 40 °C
Selected liquid temperature:	20 °C
Density:	998.2 kg/m ³
Electrical data:	
Motor standard:	IEC
Frame size:	90LE
IE efficiency class:	IE3
Rated power - P2:	2.2 kW
Mains frequency:	50 Hz
Suitable for 50/60 Hz:	N
Rated voltage:	3 x 220-240D/380-415Y V
Service factor:	1.00
Rated current:	8.00/4.60 A
Starting current:	840-920 %
Rated speed:	2890-2910 rpm
Enclosure class (IEC 34-5):	IP55
Insulation class (IEC 85):	F
Built-in motor protection:	NONE
Cable included (Yes/No):	N
Controls:	
Frequency converter:	NONE
Others:	
Terminal box position:	12
Minimum efficiency index, MEI ≥:	0.7
Net weight:	27.6 kg
Gross weight:	30.1 kg



Description	Value
Country of origin:	TW
Custom tariff no.:	84137042

On request CM 5-8 A-R-A-E-AVBE F-A-A-N 50 Hz



Note! All units are in [mm] unless others are stated.
 Disclaimer: This simplified dimensional drawing does not show all details.