
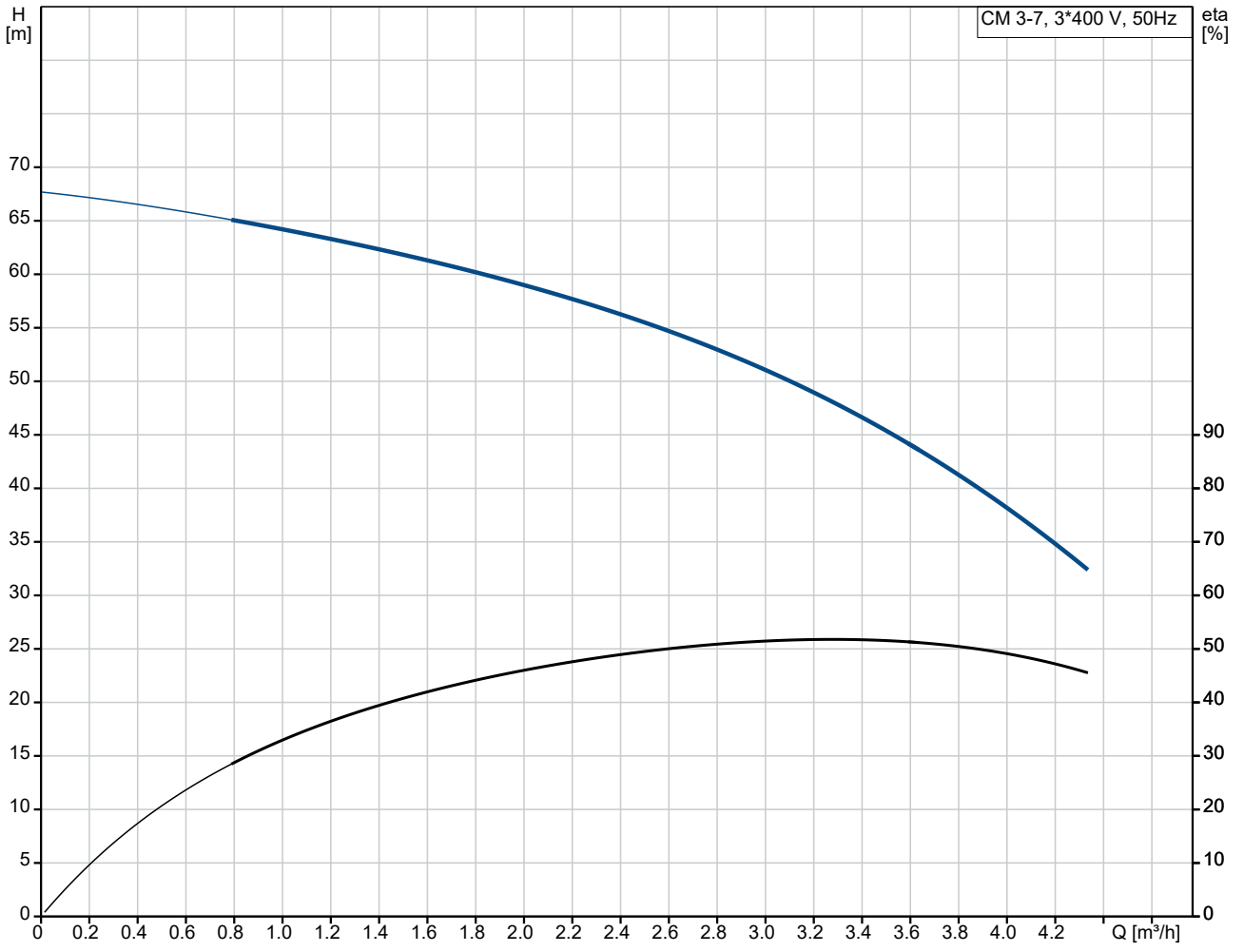


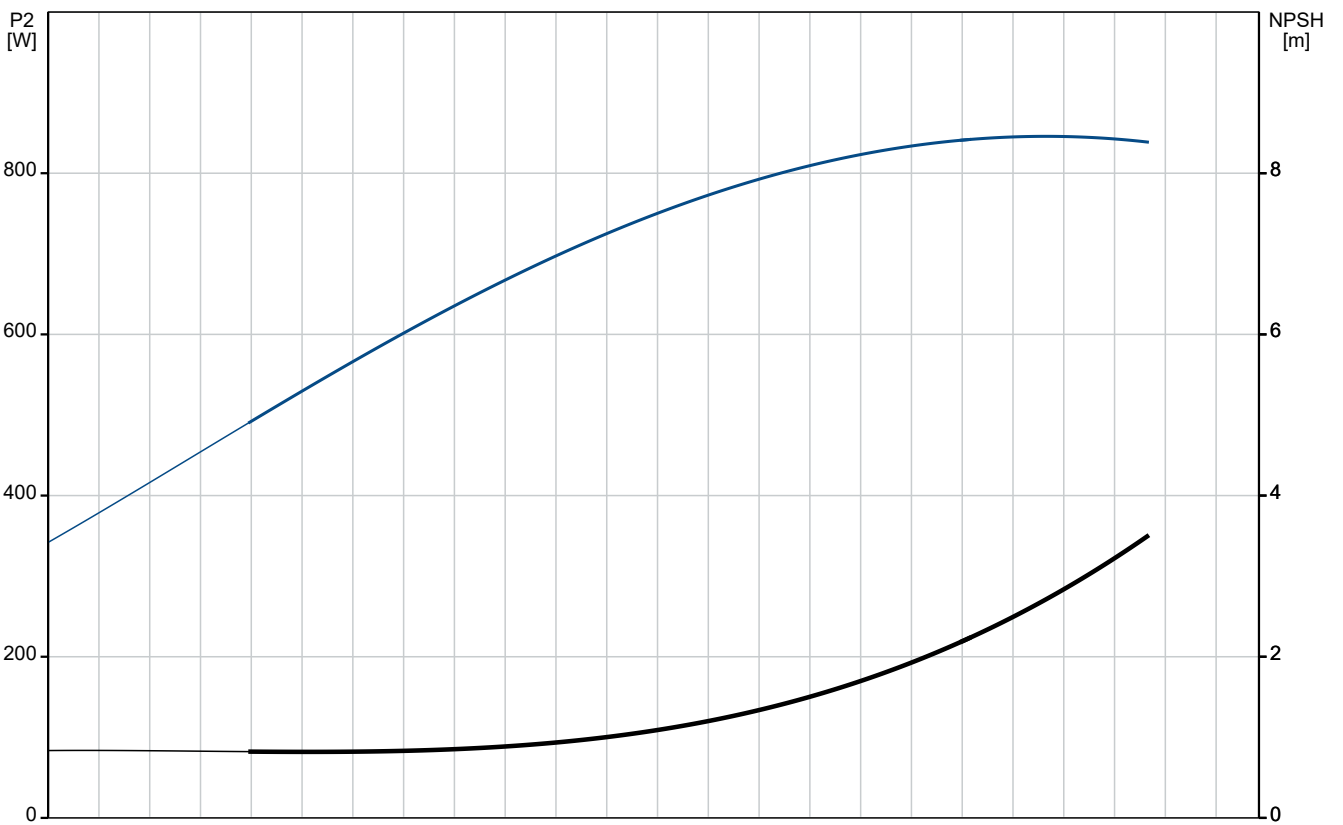
| Qty. | Description |
|------|---|
| 1 | <p data-bbox="193 159 555 197">CM 3-7 A-R-A-E-AVBE F-A-A-N</p>  <p data-bbox="592 506 1062 533" style="text-align: center;">Note! Product picture may differ from actual product</p> <p data-bbox="193 539 480 566">Product No.: On request</p> <p data-bbox="193 600 1437 701">Compact, reliable, horizontal, multistage, end-suction centrifugal pump with axial suction port and radial discharge port. The shaft, impellers and chambers are made of stainless steel. The inlet and discharge parts are made of cast iron. The mechanical shaft seal is a special designed, unbalanced O-ring seal. Pipework connection is via internal Whitworth pipe threads, Rp (ISO 7/1).</p> <p data-bbox="193 712 1070 739">The pump is fitted with a 3-phase, foot-mounted, fan-cooled asynchronous motor.</p> <p data-bbox="193 772 304 799">Controls:</p> <p data-bbox="193 801 635 828">Frequency converter: NONE</p> <p data-bbox="193 862 272 889">Liquid:</p> <p data-bbox="193 891 635 918">Pumped liquid: Water</p> <p data-bbox="193 920 691 947">Liquid temperature range: -20 .. 40 °C</p> <p data-bbox="193 949 635 976">Selected liquid temperature: 20 °C</p> <p data-bbox="193 978 695 1005">Density: 998.2 kg/m³</p> <p data-bbox="193 1039 316 1066">Technical:</p> <p data-bbox="193 1068 818 1095">Pump speed on which pump data are based: 2900 rpm</p> <p data-bbox="193 1097 655 1124">Rated flow: 3.1 m³/h</p> <p data-bbox="193 1126 655 1153">Rated head: 48.88 m</p> <p data-bbox="193 1155 635 1182">Code for shaft seal: AVBE</p> <p data-bbox="193 1184 730 1211">Approvals: CE,EAC,UKCA</p> <p data-bbox="193 1214 695 1240">Approvals for drinking water: ACS,NSF61</p> <p data-bbox="193 1243 759 1270">Curve tolerance: ISO9906:2012 3B</p> <p data-bbox="193 1303 309 1330">Materials:</p> <p data-bbox="193 1332 735 1420">Pump housing: Cast iron EN-GJL-200 ASTM A48-25A</p> <p data-bbox="193 1422 724 1509">Impeller: Stainless steel EN 1.4301 AISI 304</p> <p data-bbox="193 1543 325 1570">Installation:</p> <p data-bbox="193 1572 691 1599">Range of ambient temperature: -20 .. 55 °C</p> <p data-bbox="193 1601 635 1628">Maximum operating pressure: 10 bar</p> <p data-bbox="193 1630 716 1688">Max pressure at stated temp: 10 bar / 40 °C 10 bar / 40 °C</p> <p data-bbox="193 1691 596 1718">Type of connection: Rp</p> <p data-bbox="193 1720 635 1747">Size of inlet connection: 1 inch</p> <p data-bbox="193 1749 635 1776">Size of outlet connection: 1 inch</p> <p data-bbox="193 1778 596 1805">Outlet position: 12</p> <p data-bbox="193 1839 363 1865">Electrical data:</p> <p data-bbox="193 1868 608 1895">Motor standard: IEC</p> <p data-bbox="193 1897 608 1924">Frame size: 80C</p> <p data-bbox="193 1926 596 1953">IE efficiency class: IE3</p> <p data-bbox="193 1955 643 1982">Rated power - P2: 1.1 kW</p> <p data-bbox="193 1984 635 2011">Mains frequency: 50 Hz</p> <p data-bbox="193 2013 584 2040">Suitable for 50/60 Hz: N</p> <p data-bbox="193 2042 847 2069">Rated voltage: 3 x 220-240D/380-415Y V</p> <p data-bbox="193 2072 616 2098">Service factor: 1.00</p> |

| Qty. | Description |
|------|--|
| 1 | <p>Rated current: 4,4-4,5/2,55-2,6 A Starting current: 720-780 % Rated speed: 2830-2860 rpm Enclosure class (IEC 34-5): IP55 Insulation class (IEC 85): F Built-in motor protection: NONE Cable included (Yes/No): N</p> <p>Others: Terminal box position: 12 Minimum efficiency index, MEI ≥: 0.7 Net weight: 16.2 kg Gross weight: 18.7 kg Country of origin: TW Custom tariff no.: 84137042</p> |

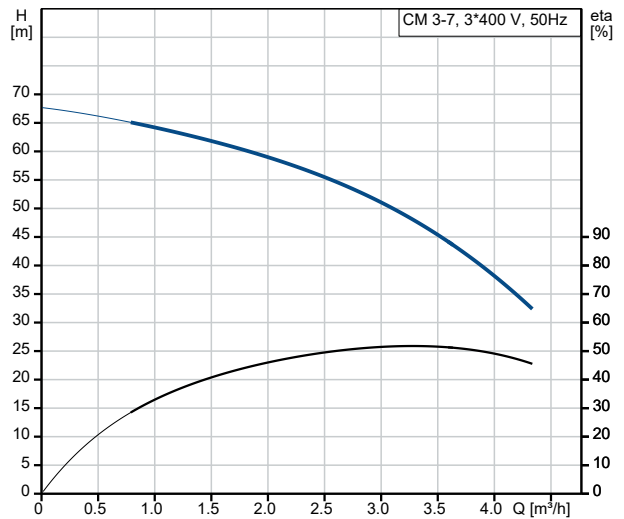
On request CM 3-7 A-R-A-E-AVBE F-A-A-N 50 Hz



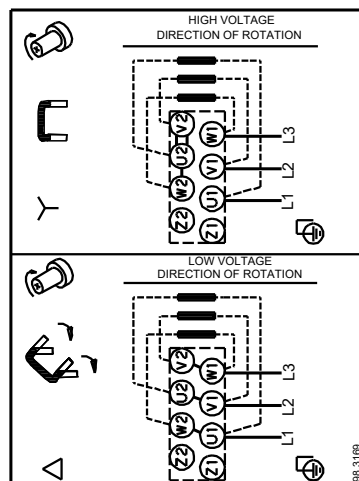
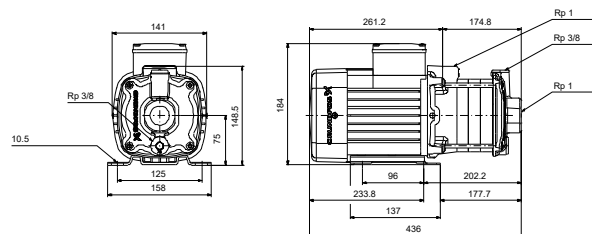
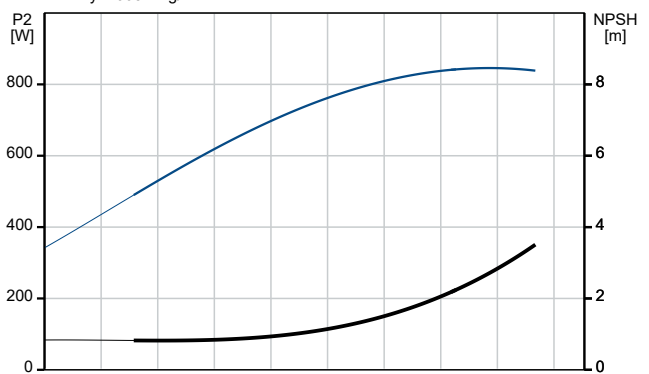
Pumped liquid = Water
 Liquid temperature during operation = 20 °C
 Density = 998.2 kg/m³



| Description | Value |
|--|--------------------------------|
| General information: | |
| Product name: | CM 3-7 A-R-A-E-AVBE F-A-A-N |
| Product No: | On request |
| EAN number: | On request |
| Technical: | |
| Pump speed on which pump data are based: | 2900 rpm |
| Rated flow: | 3.1 m ³ /h |
| Rated head: | 48.88 m |
| Impellers: | 7 |
| Code for shaft seal: | AVBE |
| Approvals: | CE, EAC, UKCA |
| Approvals for drinking water: | ACS, NSF61 |
| Curve tolerance: | ISO9906:2012 3B |
| Pump version: | A |
| Model: | A |
| Materials: | |
| Pump housing: | Cast iron |
| Pump housing: | EN-GJL-200 |
| Pump housing: | ASTM A48-25A |
| Impeller: | Stainless steel |
| Impeller: | EN 1.4301 |
| Impeller: | AISI 304 |
| Material code: | A |
| Code for rubber: | E |
| Installation: | |
| Range of ambient temperature: | -20 .. 55 °C |
| Maximum operating pressure: | 10 bar |
| Max pressure at stated temp: | 10 bar / 40 °C |
| Max pressure at stated temp: | 10 bar / 40 °C |
| Type of connection: | Rp |
| Size of inlet connection: | 1 inch |
| Size of outlet connection: | 1 inch |
| Outlet position: | 12 |
| Connect code: | R |
| Liquid: | |
| Pumped liquid: | Water |
| Liquid temperature range: | -20 .. 40 °C |
| Selected liquid temperature: | 20 °C |
| Density: | 998.2 kg/m ³ |
| Electrical data: | |
| Motor standard: | IEC |
| Frame size: | 80C |
| IE efficiency class: | IE3 |
| Rated power - P2: | 1.1 kW |
| Mains frequency: | 50 Hz |
| Suitable for 50/60 Hz: | N |
| Rated voltage: | 3 x 220-240D/380-415Y V |
| Service factor: | 1.00 |
| Rated current: | 4,4-4,5/2,55-2,6 A |
| Starting current: | 720-780 % |
| Rated speed: | 2830-2860 rpm |
| Enclosure class (IEC 34-5): | IP55 |
| Insulation class (IEC 85): | F |
| Built-in motor protection: | NONE |
| Cable included (Yes/No): | N |
| Controls: | |
| Frequency converter: | NONE |
| Others: | |
| Terminal box position: | 12 |
| Minimum efficiency index, MEI ≥: | 0.7 |
| Net weight: | 16.2 kg |
| Gross weight: | 18.7 kg |

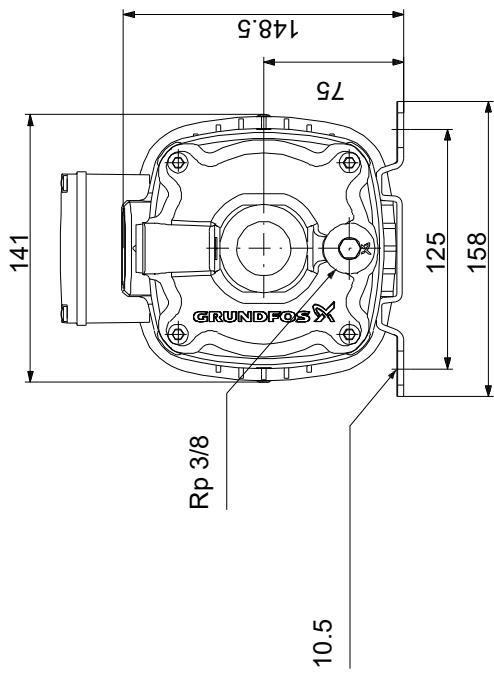
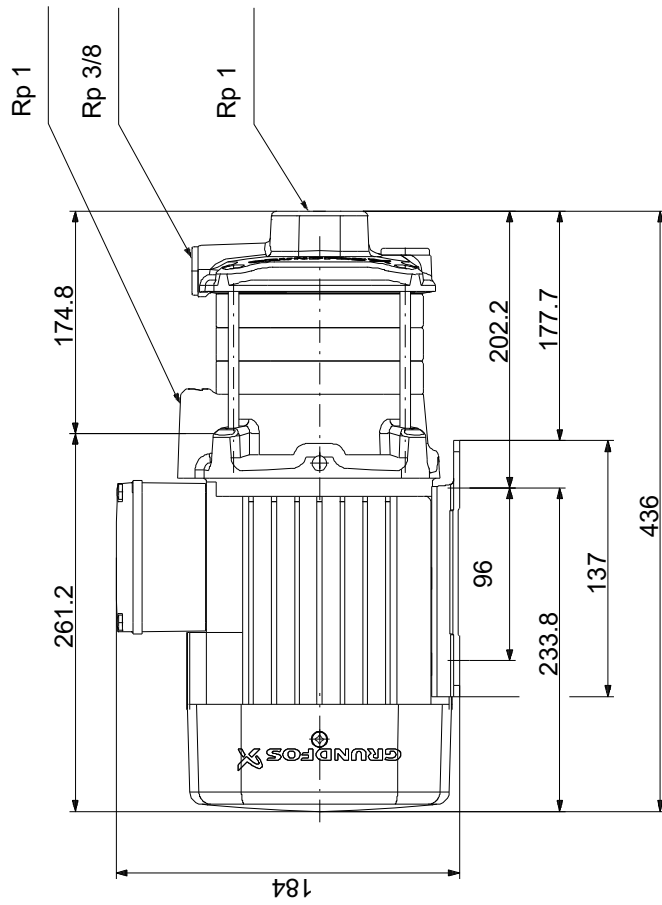


Pumped liquid = Water
Liquid temperature during operation = 20 °C
Density = 998.2 kg/m³



| Description | Value |
|--------------------|----------|
| Country of origin: | TW |
| Custom tariff no.: | 84137042 |

On request CM 3-7 A-R-A-E-AVBE F-A-A-N 50 Hz



Note! All units are in [mm] unless others are stated.
 Disclaimer: This simplified dimensional drawing does not show all details.