
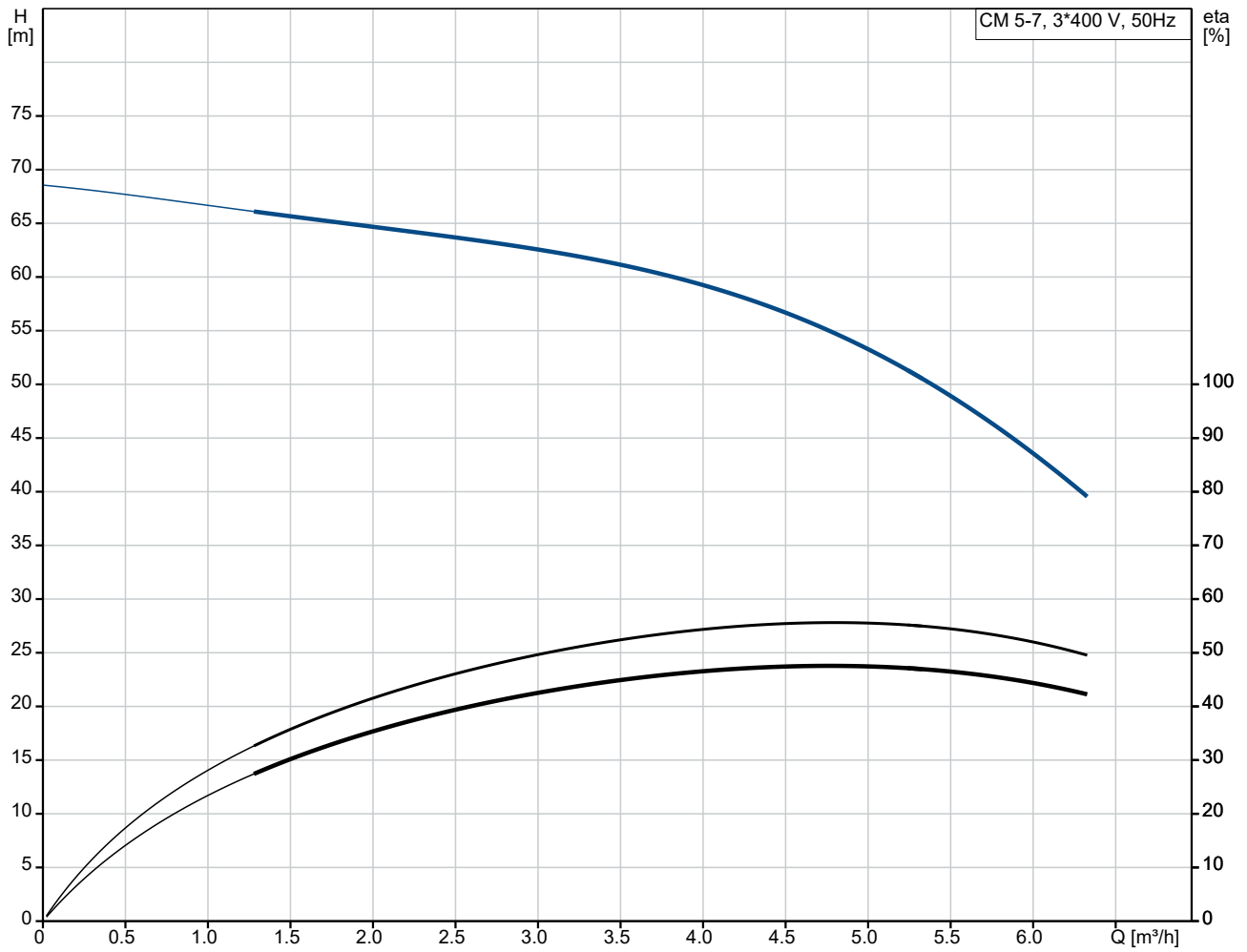


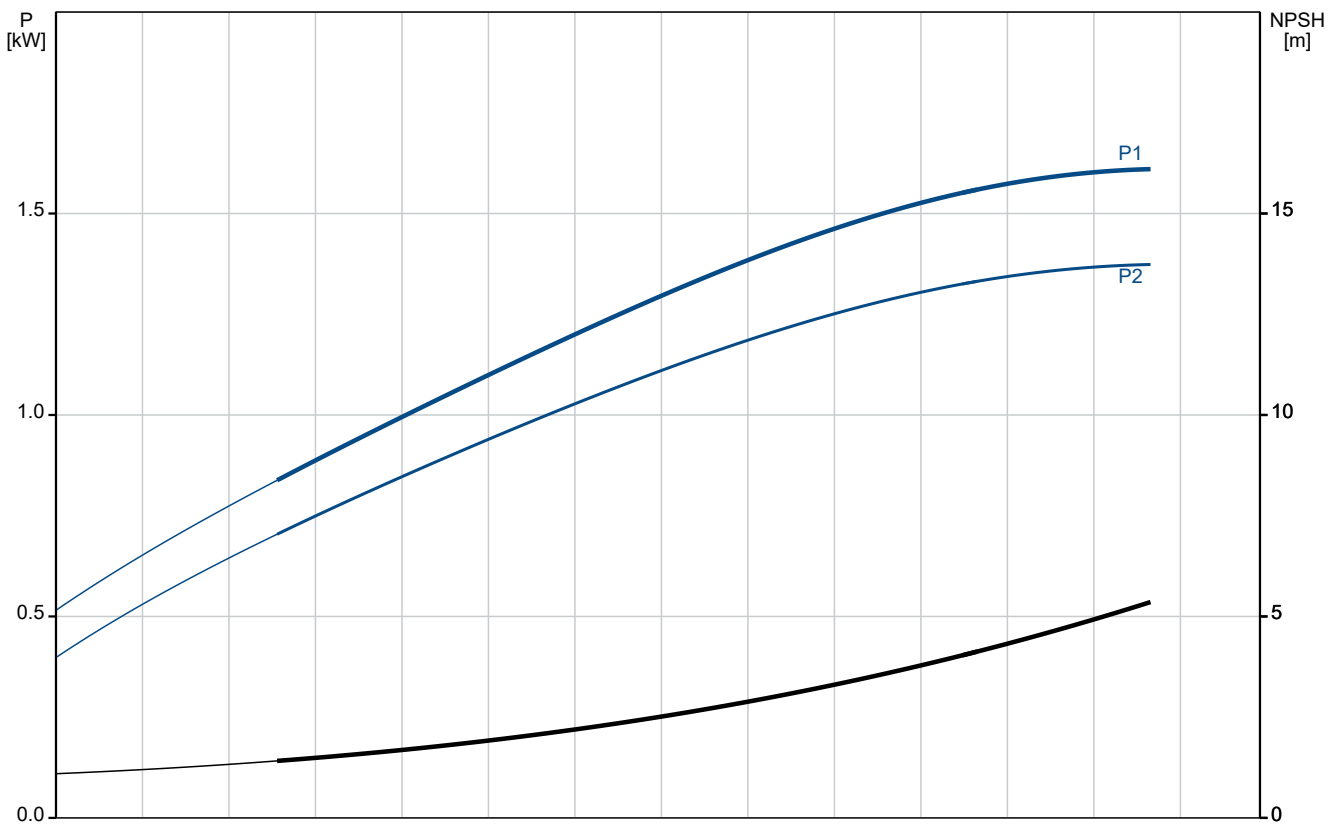
Qty.	Description
1	<p data-bbox="196 159 555 185">CM 5-7 A-R-A-E-AVBE F-A-A-N</p> <div data-bbox="256 297 507 450" style="text-align: center;">  </div> <p data-bbox="592 506 1062 528" style="text-align: center;">Note! Product picture may differ from actual product</p> <p data-bbox="196 539 480 562">Product No.: On request</p> <p data-bbox="196 600 1437 696">Compact, reliable, horizontal, multistage, end-suction centrifugal pump with axial suction port and radial discharge port. The shaft, impellers and chambers are made of stainless steel. The inlet and discharge parts are made of cast iron. The mechanical shaft seal is a special designed, unbalanced O-ring seal. Pipework connection is via internal Whitworth pipe threads, Rp (ISO 7/1).</p> <p data-bbox="196 712 1070 734">The pump is fitted with a 3-phase, foot-mounted, fan-cooled asynchronous motor.</p> <p data-bbox="196 772 300 795">Controls:</p> <p data-bbox="196 801 635 824">Frequency converter: NONE</p> <p data-bbox="196 862 272 884">Liquid:</p> <p data-bbox="196 891 635 913">Pumped liquid: Water</p> <p data-bbox="196 920 687 943">Liquid temperature range: -20 .. 40 °C</p> <p data-bbox="196 949 635 972">Selected liquid temperature: 20 °C</p> <p data-bbox="196 978 699 1001">Density: 998.2 kg/m³</p> <p data-bbox="196 1039 316 1061">Technical:</p> <p data-bbox="196 1068 815 1090">Pump speed on which pump data are based: 2900 rpm</p> <p data-bbox="196 1097 655 1120">Rated flow: 4.7 m³/h</p> <p data-bbox="196 1126 655 1149">Rated head: 54.46 m</p> <p data-bbox="196 1155 635 1178">Code for shaft seal: AVBE</p> <p data-bbox="196 1184 730 1207">Approvals: CE,EAC,UKCA</p> <p data-bbox="196 1214 699 1236">Approvals for drinking water: ACS,NSF61</p> <p data-bbox="196 1243 759 1265">Curve tolerance: ISO9906:2012 3B</p> <p data-bbox="196 1303 308 1326">Materials:</p> <p data-bbox="196 1332 735 1413">Pump housing: Cast iron EN-GJL-200 ASTM A48-25A</p> <p data-bbox="196 1420 724 1500">Impeller: Stainless steel EN 1.4301 AISI 304</p> <p data-bbox="196 1538 323 1561">Installation:</p> <p data-bbox="196 1568 687 1590">Range of ambient temperature: -20 .. 55 °C</p> <p data-bbox="196 1597 635 1619">Maximum operating pressure: 10 bar</p> <p data-bbox="196 1626 715 1684">Max pressure at stated temp: 10 bar / 40 °C 10 bar / 40 °C</p> <p data-bbox="196 1691 592 1713">Type of connection: Rp</p> <p data-bbox="196 1720 671 1742">Size of inlet connection: 1 1/4 inch</p> <p data-bbox="196 1749 635 1771">Size of outlet connection: 1 inch</p> <p data-bbox="196 1778 592 1800">Outlet position: 12</p> <p data-bbox="196 1839 363 1861">Electrical data:</p> <p data-bbox="196 1868 608 1890">Motor standard: IEC</p> <p data-bbox="196 1897 628 1919">Frame size: 90SD</p> <p data-bbox="196 1926 603 1948">IE efficiency class: IE3</p> <p data-bbox="196 1955 639 1977">Rated power - P2: 1.5 kW</p> <p data-bbox="196 1984 635 2007">Mains frequency: 50 Hz</p> <p data-bbox="196 2013 584 2036">Suitable for 50/60 Hz: N</p> <p data-bbox="196 2042 847 2065">Rated voltage: 3 x 220-240D/380-415Y V</p> <p data-bbox="196 2072 616 2094">Service factor: 1.00</p>

Qty.	Description
1	<p>Rated current: 5.70/3.30 A Starting current: 710-790 % Rated speed: 2890-2910 rpm Enclosure class (IEC 34-5): IP55 Insulation class (IEC 85): F Built-in motor protection: NONE Cable included (Yes/No): N</p> <p>Others: Terminal box position: 12 Minimum efficiency index, MEI ≥: 0.7 Net weight: 23.5 kg Gross weight: 26 kg Country of origin: TW Custom tariff no.: 84137042</p>

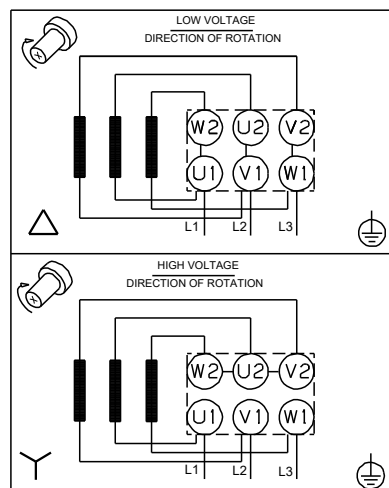
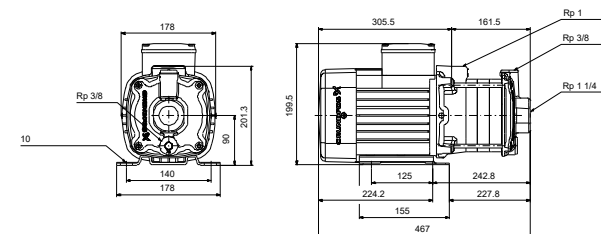
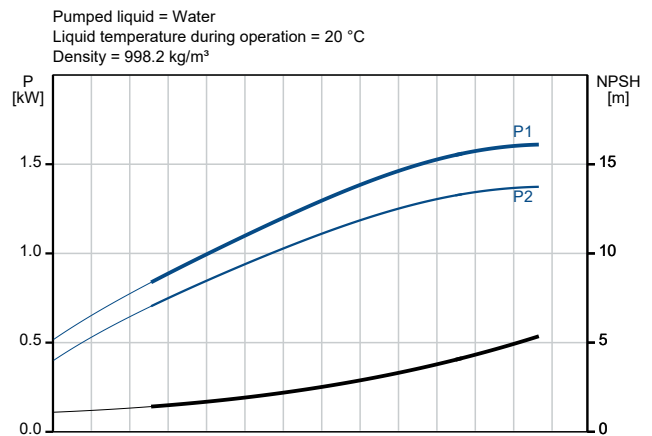
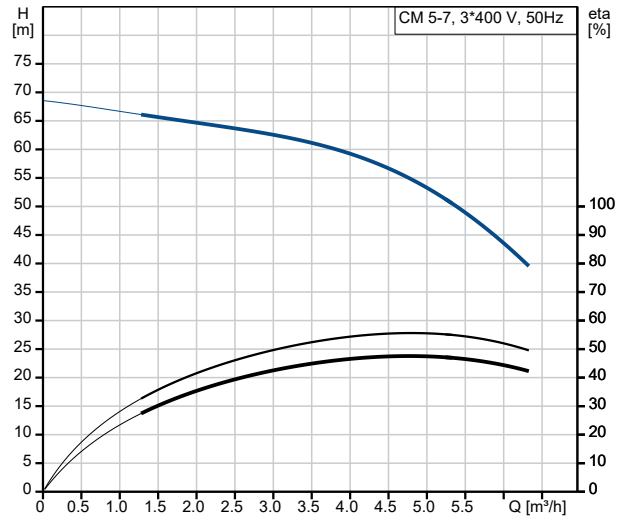
On request CM 5-7 A-R-A-E-AVBE F-A-A-N 50 Hz



Pumped liquid = Water
 Liquid temperature during operation = 20 °C
 Density = 998.2 kg/m³

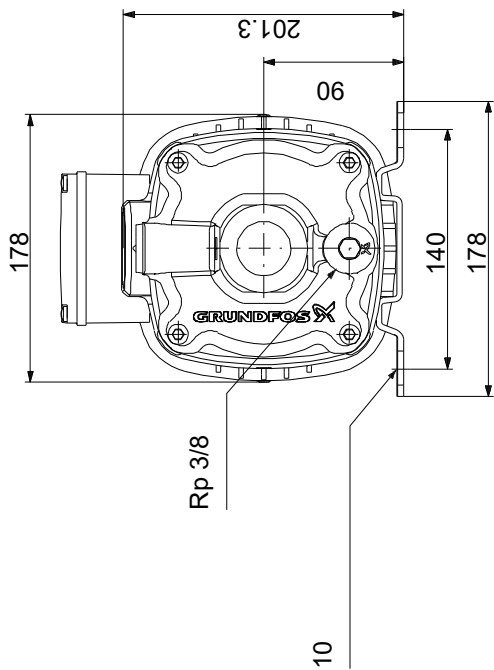
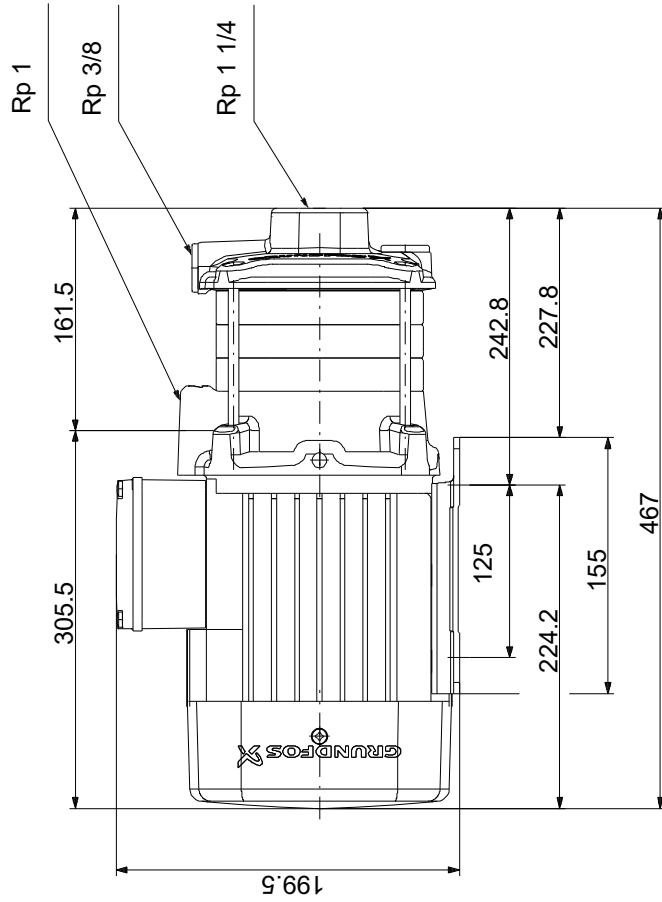


Description	Value
General information:	
Product name:	CM 5-7 A-R-A-E-AVBE F-A-A-N
Product No:	On request
EAN number:	On request
Technical:	
Pump speed on which pump data are based:	2900 rpm
Rated flow:	4.7 m ³ /h
Rated head:	54.46 m
Impellers:	7
Code for shaft seal:	AVBE
Approvals:	CE, EAC, UKCA
Approvals for drinking water:	ACS, NSF61
Curve tolerance:	ISO9906:2012 3B
Pump version:	A
Model:	A
Materials:	
Pump housing:	Cast iron
Pump housing:	EN-GJL-200
Pump housing:	ASTM A48-25A
Impeller:	Stainless steel
Impeller:	EN 1.4301
Impeller:	AISI 304
Material code:	A
Code for rubber:	E
Installation:	
Range of ambient temperature:	-20 .. 55 °C
Maximum operating pressure:	10 bar
Max pressure at stated temp:	10 bar / 40 °C
Max pressure at stated temp:	10 bar / 40 °C
Type of connection:	Rp
Size of inlet connection:	1 1/4 inch
Size of outlet connection:	1 inch
Outlet position:	12
Connect code:	R
Liquid:	
Pumped liquid:	Water
Liquid temperature range:	-20 .. 40 °C
Selected liquid temperature:	20 °C
Density:	998.2 kg/m ³
Electrical data:	
Motor standard:	IEC
Frame size:	90SD
IE efficiency class:	IE3
Rated power - P2:	1.5 kW
Mains frequency:	50 Hz
Suitable for 50/60 Hz:	N
Rated voltage:	3 x 220-240D/380-415Y V
Service factor:	1.00
Rated current:	5.70/3.30 A
Starting current:	710-790 %
Rated speed:	2890-2910 rpm
Enclosure class (IEC 34-5):	IP55
Insulation class (IEC 85):	F
Built-in motor protection:	NONE
Cable included (Yes/No):	N
Controls:	
Frequency converter:	NONE
Others:	
Terminal box position:	12
Minimum efficiency index, MEI ≥:	0.7
Net weight:	23.5 kg
Gross weight:	26 kg



Description	Value
Country of origin:	TW
Custom tariff no.:	84137042

On request CM 5-7 A-R-A-E-AVBE F-A-A-N 50 Hz



Note! All units are in [mm] unless others are stated.
 Disclaimer: This simplified dimensional drawing does not show all details.