
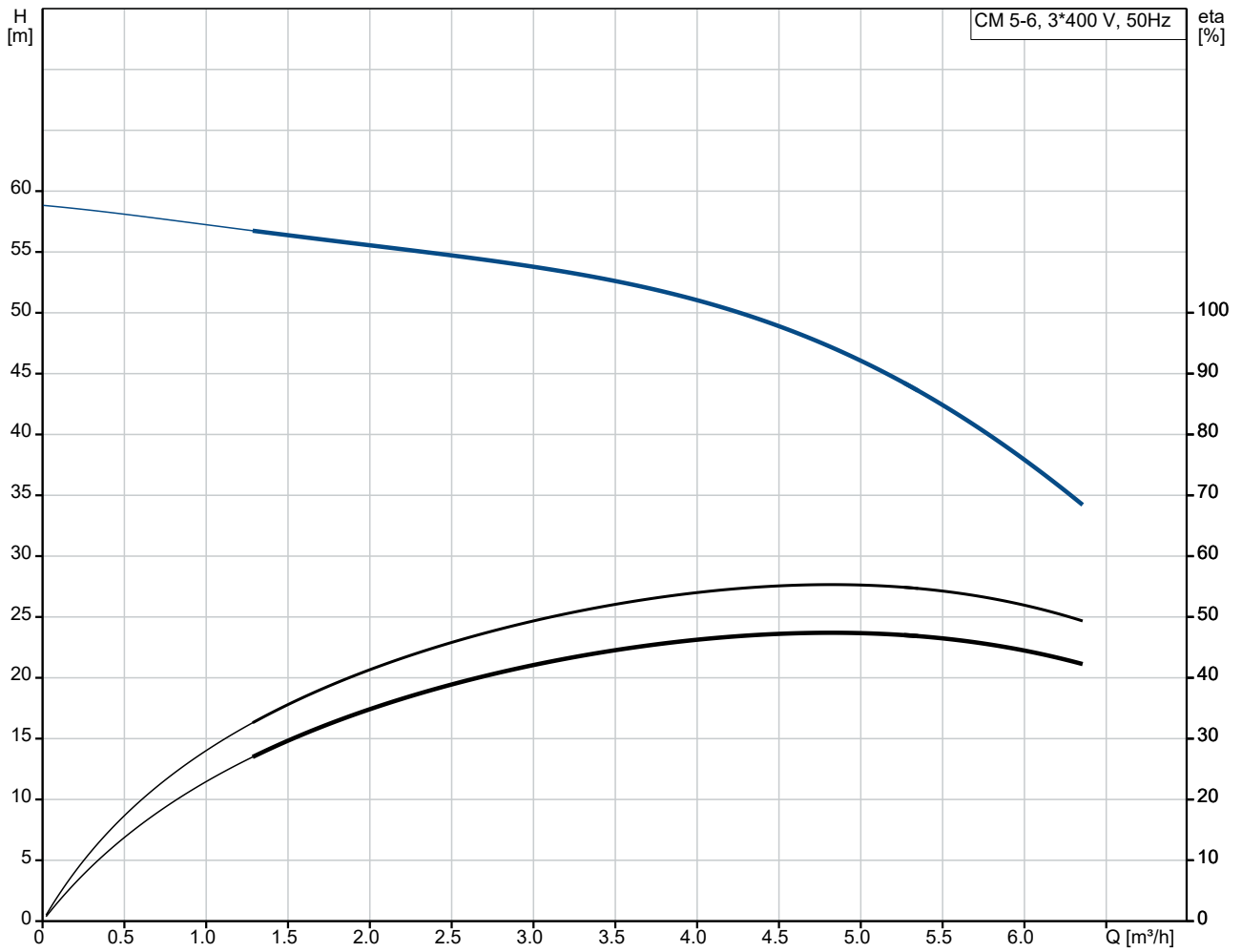


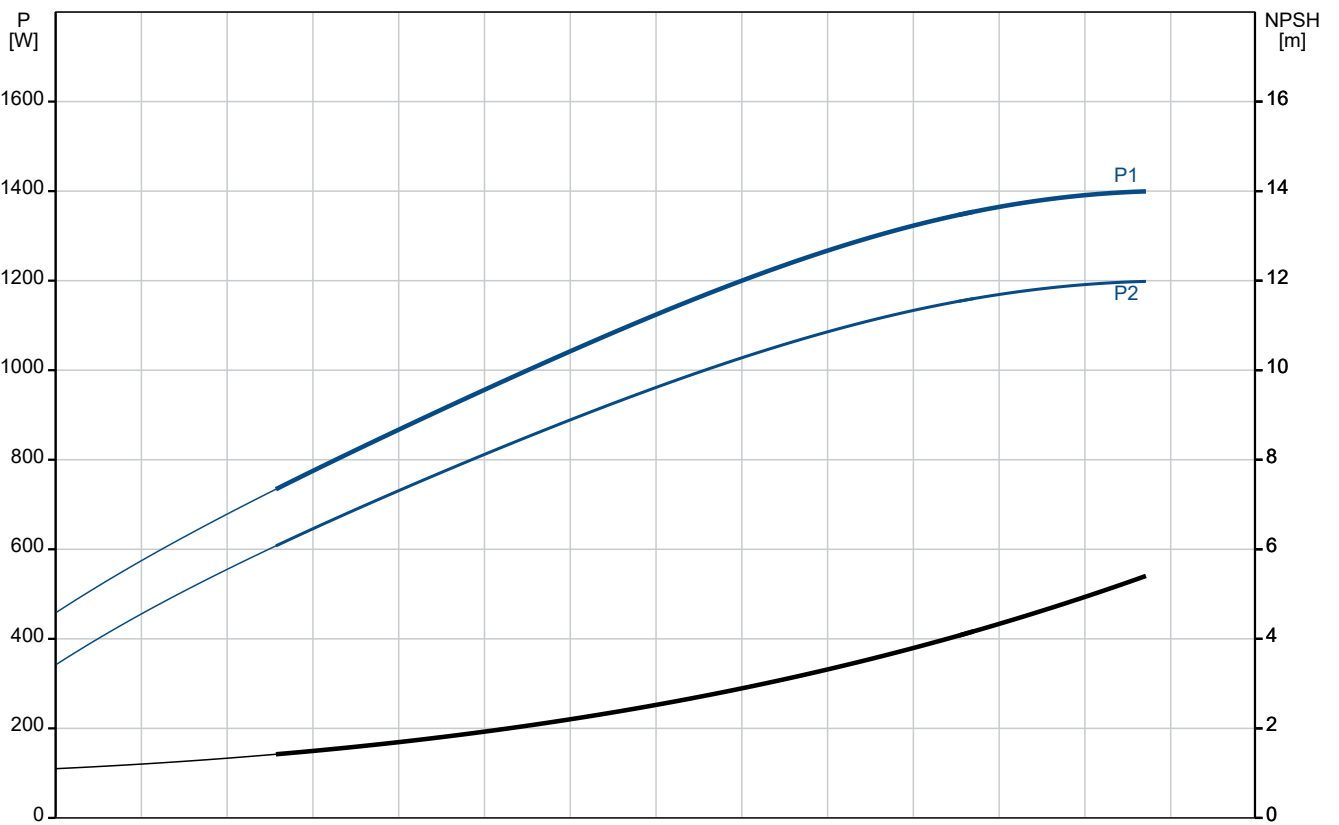
Qty.	Description
1	<p data-bbox="193 159 555 188">CM 5-6 A-R-A-E-AVBE F-A-A-N</p>  <p data-bbox="592 506 1062 530" style="text-align: center;">Note! Product picture may differ from actual product</p> <p data-bbox="193 539 480 566">Product No.: On request</p> <p data-bbox="193 600 1437 698">Compact, reliable, horizontal, multistage, end-suction centrifugal pump with axial suction port and radial discharge port. The shaft, impellers and chambers are made of stainless steel. The inlet and discharge parts are made of cast iron. The mechanical shaft seal is a special designed, unbalanced O-ring seal. Pipework connection is via internal Whitworth pipe threads, Rp (ISO 7/1).</p> <p data-bbox="193 710 1070 739">The pump is fitted with a 3-phase, foot-mounted, fan-cooled asynchronous motor.</p> <p data-bbox="193 772 300 799">Controls:</p> <p data-bbox="193 799 635 828">Frequency converter: NONE</p> <p data-bbox="193 862 276 889">Liquid:</p> <p data-bbox="193 889 632 918">Pumped liquid: Water</p> <p data-bbox="193 918 691 947">Liquid temperature range: -20 .. 90 °C</p> <p data-bbox="193 947 628 976">Selected liquid temperature: 20 °C</p> <p data-bbox="193 976 695 1005">Density: 998.2 kg/m³</p> <p data-bbox="193 1039 316 1066">Technical:</p> <p data-bbox="193 1066 820 1095">Pump speed on which pump data are based: 2900 rpm</p> <p data-bbox="193 1095 655 1124">Rated flow: 4.7 m³/h</p> <p data-bbox="193 1124 655 1153">Rated head: 46.54 m</p> <p data-bbox="193 1153 632 1182">Code for shaft seal: AVBE</p> <p data-bbox="193 1182 730 1211">Approvals: CE,EAC,UKCA</p> <p data-bbox="193 1211 695 1240">Approvals for drinking water: ACS,NSF61</p> <p data-bbox="193 1240 759 1270">Curve tolerance: ISO9906:2012 3B</p> <p data-bbox="193 1303 309 1330">Materials:</p> <p data-bbox="193 1330 735 1420">Pump housing: Cast iron EN-GJL-200 ASTM A48-25A</p> <p data-bbox="193 1420 724 1509">Impeller: Stainless steel EN 1.4301 AISI 304</p> <p data-bbox="193 1543 325 1570">Installation:</p> <p data-bbox="193 1570 691 1599">Range of ambient temperature: -20 .. 55 °C</p> <p data-bbox="193 1599 635 1628">Maximum operating pressure: 10 bar</p> <p data-bbox="193 1628 715 1688">Max pressure at stated temp: 10 bar / 40 °C 6 bar / 90 °C</p> <p data-bbox="193 1688 596 1718">Type of connection: Rp</p> <p data-bbox="193 1718 671 1747">Size of inlet connection: 1 1/4 inch</p> <p data-bbox="193 1747 632 1776">Size of outlet connection: 1 inch</p> <p data-bbox="193 1776 596 1805">Outlet position: 12</p> <p data-bbox="193 1839 363 1865">Electrical data:</p> <p data-bbox="193 1865 608 1895">Motor standard: IEC</p> <p data-bbox="193 1895 628 1924">Frame size: 90SD</p> <p data-bbox="193 1924 596 1953">IE efficiency class: IE3</p> <p data-bbox="193 1953 639 1982">Rated power - P2: 1.5 kW</p> <p data-bbox="193 1982 632 2011">Mains frequency: 50 Hz</p> <p data-bbox="193 2011 584 2040">Suitable for 50/60 Hz: N</p> <p data-bbox="193 2040 847 2069">Rated voltage: 3 x 220-240D/380-415Y V</p> <p data-bbox="193 2069 612 2098">Service factor: 1.00</p>

Qty.	Description
1	<p>Rated current: 5.70/3.30 A Starting current: 710-790 % Rated speed: 2890-2910 rpm Enclosure class (IEC 34-5): IP55 Insulation class (IEC 85): F Built-in motor protection: NONE Cable included (Yes/No): N</p> <p>Others: Terminal box position: 12 Minimum efficiency index, MEI ≥: 0.7 Net weight: 23.3 kg Gross weight: 25.8 kg Country of origin: TW Custom tariff no.: 84137042</p>

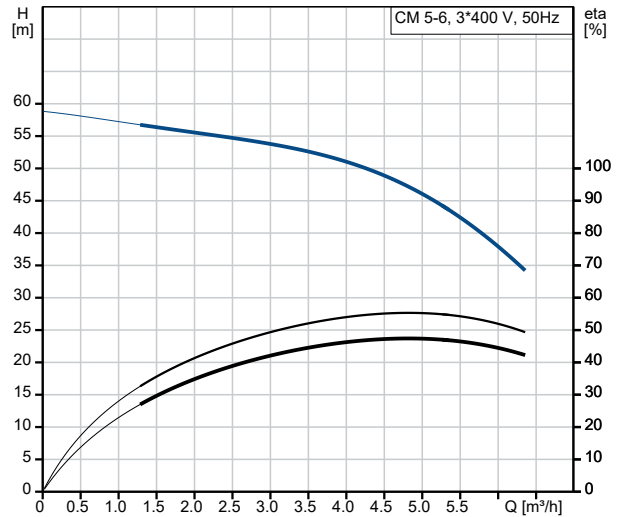
On request CM 5-6 A-R-A-E-AVBE F-A-A-N 50 Hz



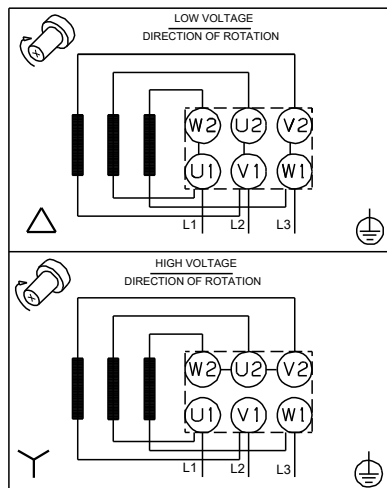
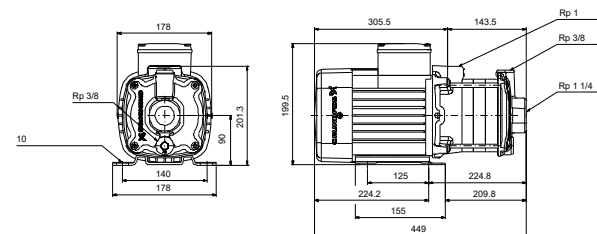
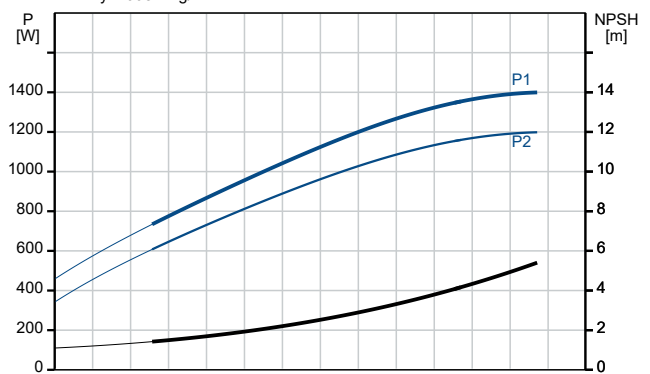
Pumped liquid = Water
 Liquid temperature during operation = 20 °C
 Density = 998.2 kg/m³



Description	Value
General information:	
Product name:	CM 5-6 A-R-A-E-AVBE F-A-A-N
Product No:	On request
EAN number:	On request
Technical:	
Pump speed on which pump data are based:	2900 rpm
Rated flow:	4.7 m ³ /h
Rated head:	46.54 m
Impellers:	6
Code for shaft seal:	AVBE
Approvals:	CE, EAC, UKCA
Approvals for drinking water:	ACS, NSF61
Curve tolerance:	ISO9906:2012 3B
Pump version:	A
Model:	A
Materials:	
Pump housing:	Cast iron
Pump housing:	EN-GJL-200
Pump housing:	ASTM A48-25A
Impeller:	Stainless steel
Impeller:	EN 1.4301
Impeller:	AISI 304
Material code:	A
Code for rubber:	E
Installation:	
Range of ambient temperature:	-20 .. 55 °C
Maximum operating pressure:	10 bar
Max pressure at stated temp:	10 bar / 40 °C
Max pressure at stated temp:	6 bar / 90 °C
Type of connection:	Rp
Size of inlet connection:	1 1/4 inch
Size of outlet connection:	1 inch
Outlet position:	12
Connect code:	R
Liquid:	
Pumped liquid:	Water
Liquid temperature range:	-20 .. 90 °C
Selected liquid temperature:	20 °C
Density:	998.2 kg/m ³
Electrical data:	
Motor standard:	IEC
Frame size:	90SD
IE efficiency class:	IE3
Rated power - P2:	1.5 kW
Mains frequency:	50 Hz
Suitable for 50/60 Hz:	N
Rated voltage:	3 x 220-240D/380-415Y V
Service factor:	1.00
Rated current:	5.70/3.30 A
Starting current:	710-790 %
Rated speed:	2890-2910 rpm
Enclosure class (IEC 34-5):	IP55
Insulation class (IEC 85):	F
Built-in motor protection:	NONE
Cable included (Yes/No):	N
Controls:	
Frequency converter:	NONE
Others:	
Terminal box position:	12
Minimum efficiency index, MEI ≥:	0.7
Net weight:	23.3 kg
Gross weight:	25.8 kg

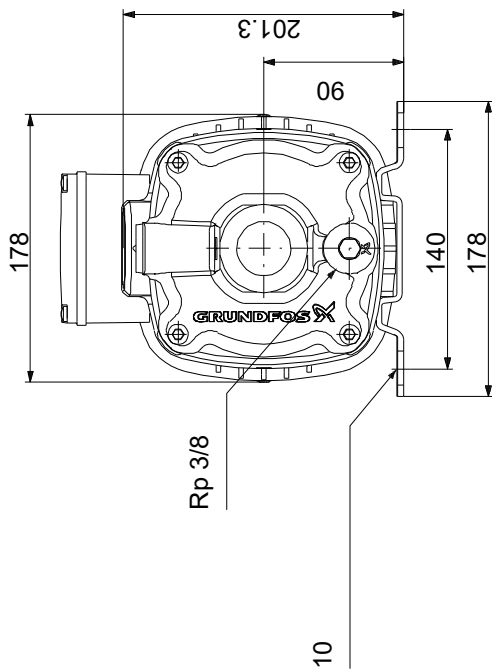
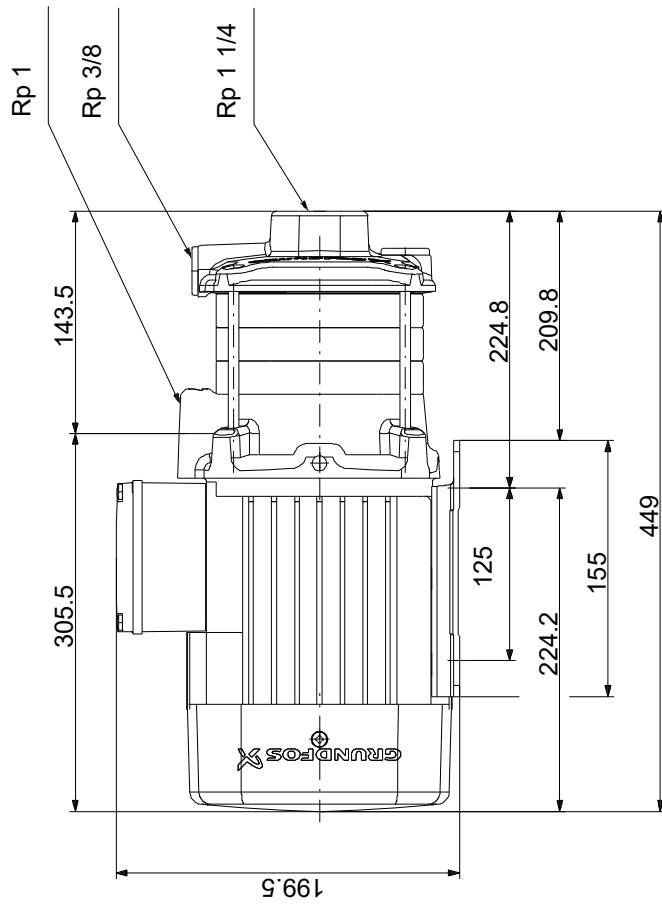


Pumped liquid = Water
Liquid temperature during operation = 20 °C
Density = 998.2 kg/m³



Description	Value
Country of origin:	TW
Custom tariff no.:	84137042

On request CM 5-6 A-R-A-E-AVBE F-A-A-N 50 Hz



Note! All units are in [mm] unless others are stated.
 Disclaimer: This simplified dimensional drawing does not show all details.