
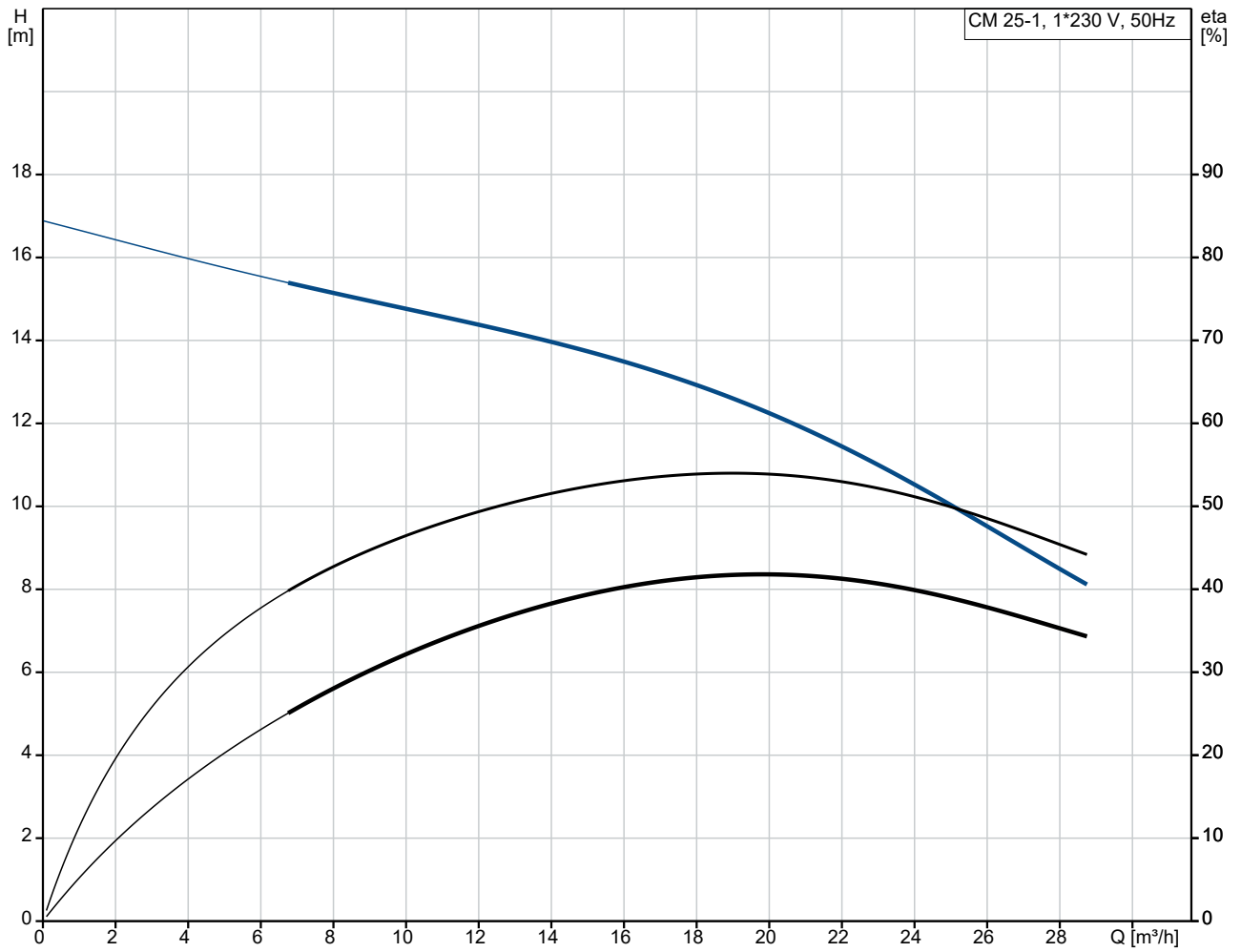


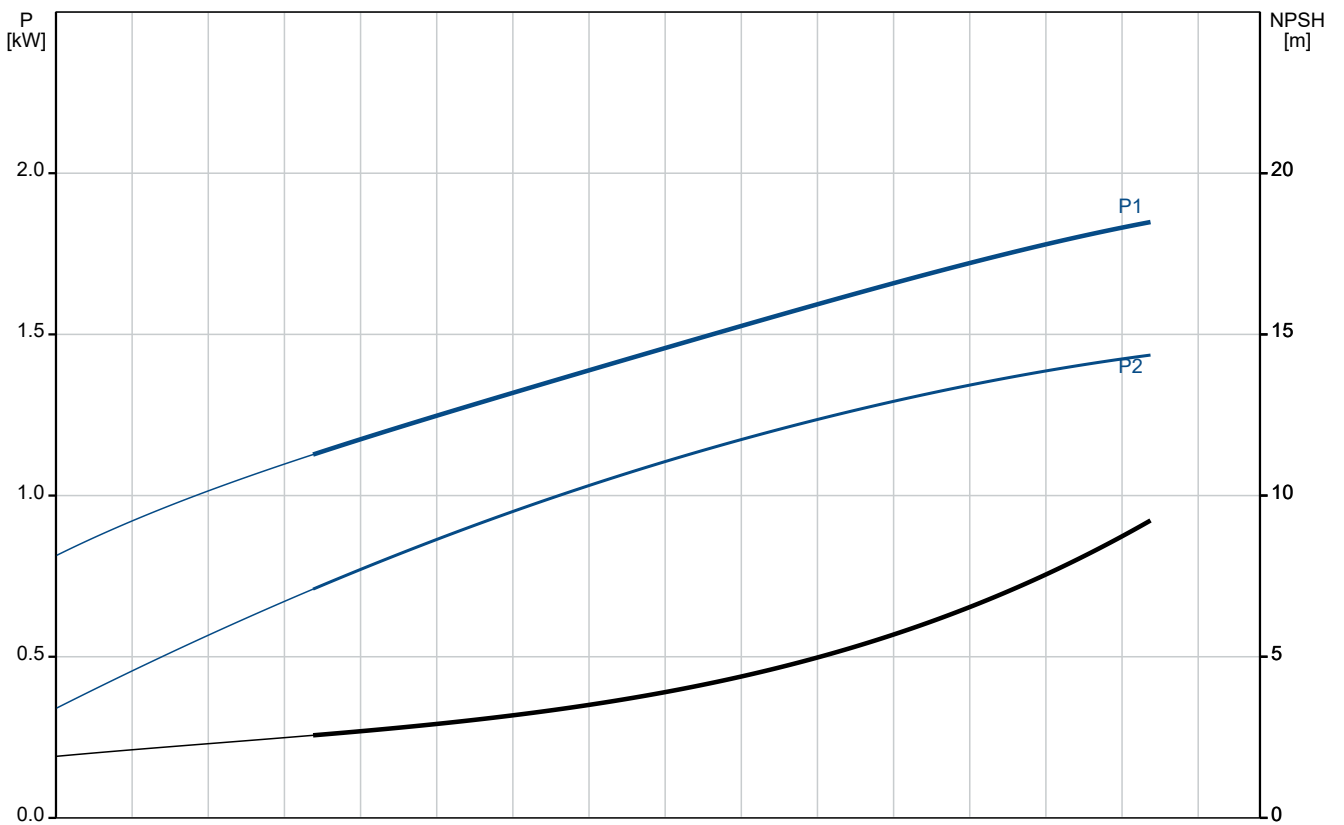
Qty.	Description
1	<p data-bbox="193 159 576 192">CM 25-1 A-R-G-V-AQQV C-A-A-N</p>  <p data-bbox="592 506 1066 533" style="text-align: center;">Note! Product picture may differ from actual product</p> <p data-bbox="193 539 480 566">Product No.: On request</p> <p data-bbox="193 600 1458 674">Compact, reliable, horizontal, multistage, end-suction centrifugal pump with axial suction port and radial discharge port. Pump materials in contact with the liquid are in high-grade stainless steel. The mechanical shaft seal is a special designed, unbalanced O-ring seal. Pipework connection is via internal Whitworth pipe threads, Rp (ISO 7/1).</p> <p data-bbox="193 712 1070 739">The pump is fitted with a 1-phase, foot-mounted, fan-cooled asynchronous motor.</p> <p data-bbox="193 772 304 799">Controls:</p> <p data-bbox="193 799 639 826">Frequency converter: NONE</p> <p data-bbox="193 860 277 887">Liquid:</p> <p data-bbox="193 887 635 913">Pumped liquid: Water</p> <p data-bbox="193 913 692 940">Liquid temperature range: -20 .. 90 °C</p> <p data-bbox="193 940 635 967">Selected liquid temperature: 20 °C</p> <p data-bbox="193 967 699 994">Density: 998.2 kg/m³</p> <p data-bbox="193 1037 316 1064">Technical:</p> <p data-bbox="193 1064 820 1090">Pump speed on which pump data are based: 2900 rpm</p> <p data-bbox="193 1090 651 1117">Rated flow: 22 m³/h</p> <p data-bbox="193 1117 655 1144">Rated head: 13.24 m</p> <p data-bbox="193 1144 639 1171">Code for shaft seal: AQQV</p> <p data-bbox="193 1171 730 1198">Approvals: CE,EAC,UKCA</p> <p data-bbox="193 1198 751 1225">Approvals for drinking water: WRAS,ACS,UBA</p> <p data-bbox="193 1225 759 1252">Curve tolerance: ISO9906:2012 3B</p> <p data-bbox="193 1305 309 1332">Materials:</p> <p data-bbox="193 1332 724 1417">Pump housing: Stainless steel EN 1.4401 AISI 316</p> <p data-bbox="193 1417 724 1503">Impeller: Stainless steel EN 1.4401 AISI 316</p> <p data-bbox="193 1541 325 1568">Installation:</p> <p data-bbox="193 1568 692 1594">Range of ambient temperature: -20 .. 55 °C</p> <p data-bbox="193 1594 639 1621">Maximum operating pressure: 16 bar</p> <p data-bbox="193 1621 719 1684">Max pressure at stated temp: 16 bar / 90 °C 16 bar / 90 °C</p> <p data-bbox="193 1684 600 1711">Type of connection: Rp</p> <p data-bbox="193 1711 635 1738">Size of inlet connection: 2 inch</p> <p data-bbox="193 1738 635 1765">Size of outlet connection: 2 inch</p> <p data-bbox="193 1765 600 1792">Outlet position: 12</p> <p data-bbox="193 1839 363 1865">Electrical data:</p> <p data-bbox="193 1865 608 1892">Motor standard: IEC</p> <p data-bbox="193 1892 628 1919">Frame size: 90SB</p> <p data-bbox="193 1919 644 1946">Rated power - P2: 1.7 kW</p> <p data-bbox="193 1946 635 1973">Mains frequency: 50 Hz</p> <p data-bbox="193 1973 584 2000">Suitable for 50/60 Hz: N</p> <p data-bbox="193 2000 740 2027">Rated voltage: 1 x 220-240 V V</p> <p data-bbox="193 2027 616 2054">Service factor: 1.00</p> <p data-bbox="193 2054 692 2080">Rated current: 11.2-10.0 A</p>

Qty.	Description
1	<p>Starting current: 370-370 % Rated speed: 2740-2755 rpm Enclosure class (IEC 34-5): IP55 Insulation class (IEC 85): F Built-in motor protection: PTO Cable included (Yes/No): N</p> <p>Others: Terminal box position: 12 Minimum efficiency index, MEI ≥: 0.41 Net weight: 26.6 kg Gross weight: 29.1 kg Country of origin: TW Custom tariff no.: 84137042</p>

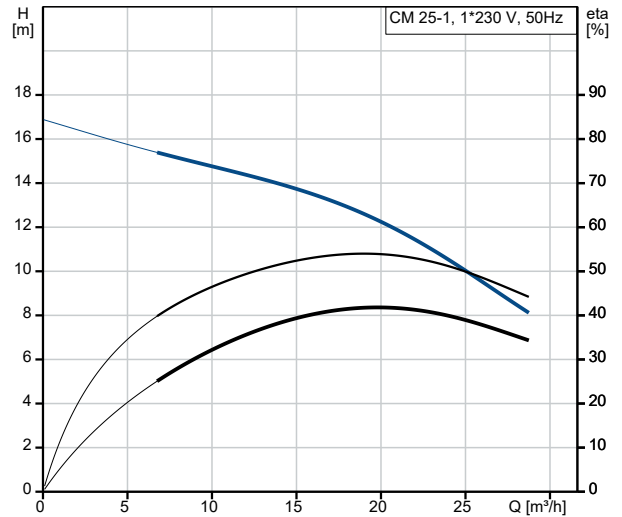
On request CM 25-1 A-R-G-V-AQQV C-A-A-N 50 Hz



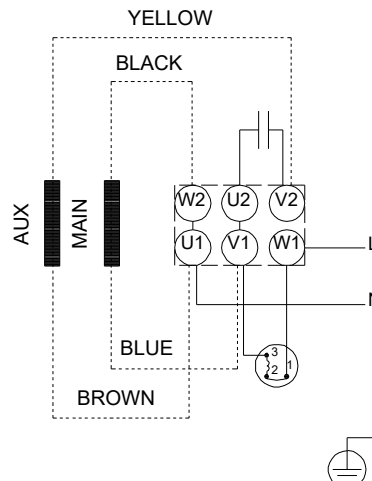
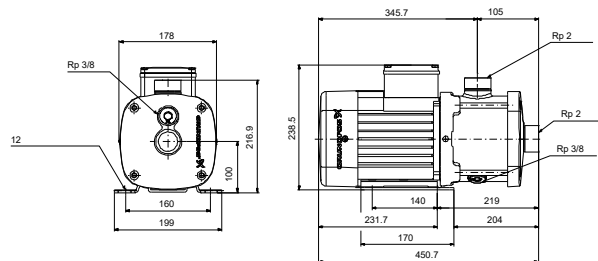
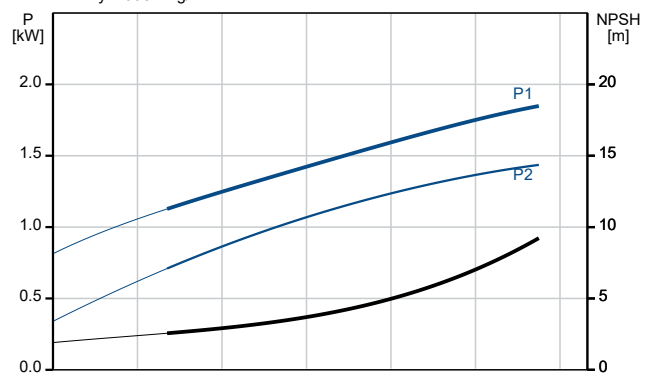
Pumped liquid = Water
 Liquid temperature during operation = 20 °C
 Density = 998.2 kg/m³



Description	Value
General information:	
Product name:	CM 25-1 A-R-G-V-AQQV C-A-A-N
Product No:	On request
EAN number:	On request
Technical:	
Pump speed on which pump data are based:	2900 rpm
Rated flow:	22 m ³ /h
Rated head:	13.24 m
Impellers:	1
Code for shaft seal:	AQQV
Approvals:	CE,EAC,UKCA
Approvals for drinking water:	WRAS,ACS,UBA
Curve tolerance:	ISO9906:2012 3B
Pump version:	A
Model:	A
Materials:	
Pump housing:	Stainless steel
Pump housing:	EN 1.4401
Pump housing:	AISI 316
Impeller:	Stainless steel
Impeller:	EN 1.4401
Impeller:	AISI 316
Material code:	G
Code for rubber:	V
Installation:	
Range of ambient temperature:	-20 .. 55 °C
Maximum operating pressure:	16 bar
Max pressure at stated temp:	16 bar / 90 °C
Max pressure at stated temp:	16 bar / 90 °C
Type of connection:	Rp
Size of inlet connection:	2 inch
Size of outlet connection:	2 inch
Outlet position:	12
Connect code:	R
Liquid:	
Pumped liquid:	Water
Liquid temperature range:	-20 .. 90 °C
Selected liquid temperature:	20 °C
Density:	998.2 kg/m ³
Electrical data:	
Motor standard:	IEC
Frame size:	90SB
Rated power - P2:	1.7 kW
Mains frequency:	50 Hz
Suitable for 50/60 Hz:	N
Rated voltage:	1 x 220-240 V V
Service factor:	1.00
Rated current:	11.2-10.0 A
Starting current:	370-370 %
Rated speed:	2740-2755 rpm
Enclosure class (IEC 34-5):	IP55
Insulation class (IEC 85):	F
Built-in motor protection:	PTO
Cable included (Yes/No):	N
Controls:	
Frequency converter:	NONE
Others:	
Terminal box position:	12
Minimum efficiency index, MEI ≥:	0.41
Net weight:	26.6 kg
Gross weight:	29.1 kg
Country of origin:	TW



Pumped liquid = Water
Liquid temperature during operation = 20 °C
Density = 998.2 kg/m³

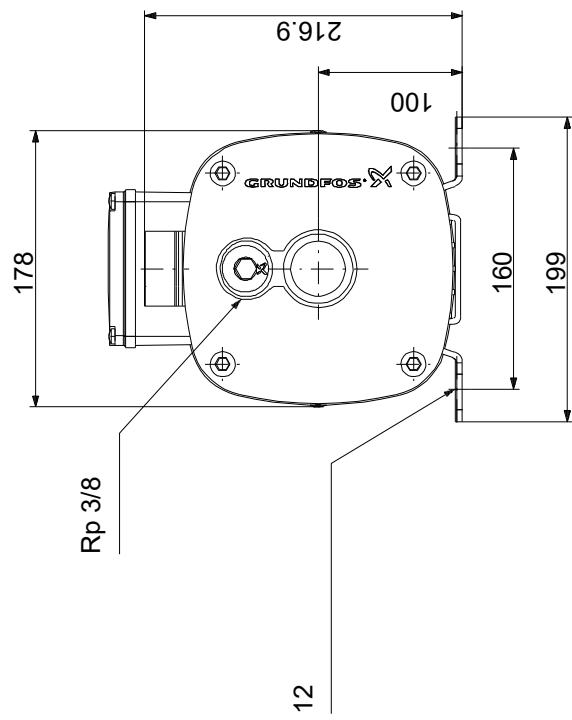
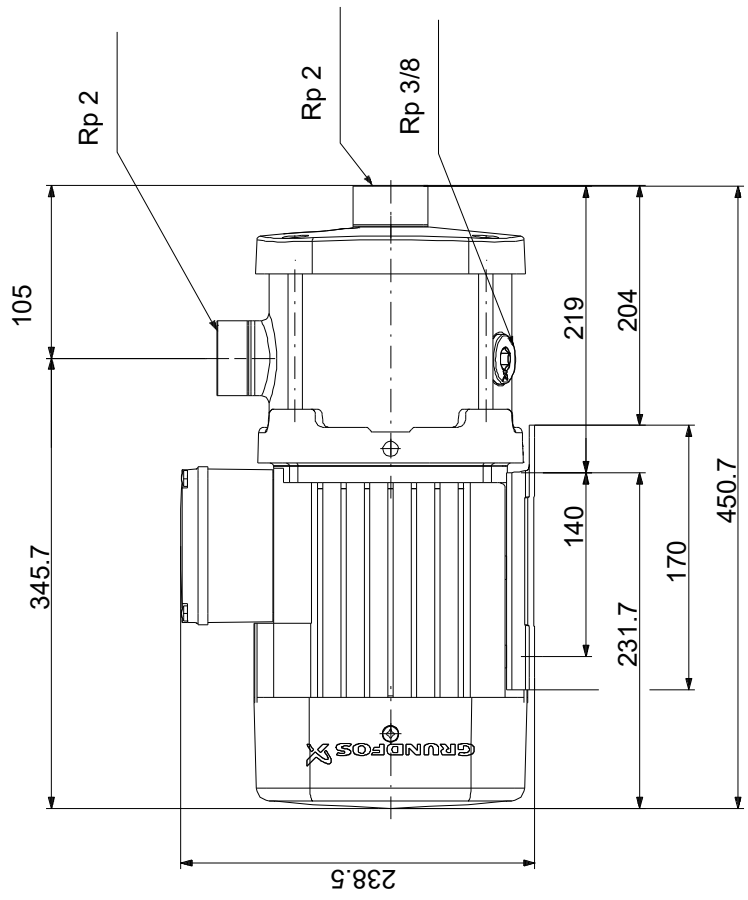


Description**Value**

Custom tariff no.:

84137042

On request CM 25-1 A-R-G-V-AQQV C-A-A-N 50 Hz



Note! All units are in [mm] unless others are stated.
 Disclaimer: This simplified dimensional drawing does not show all details.