
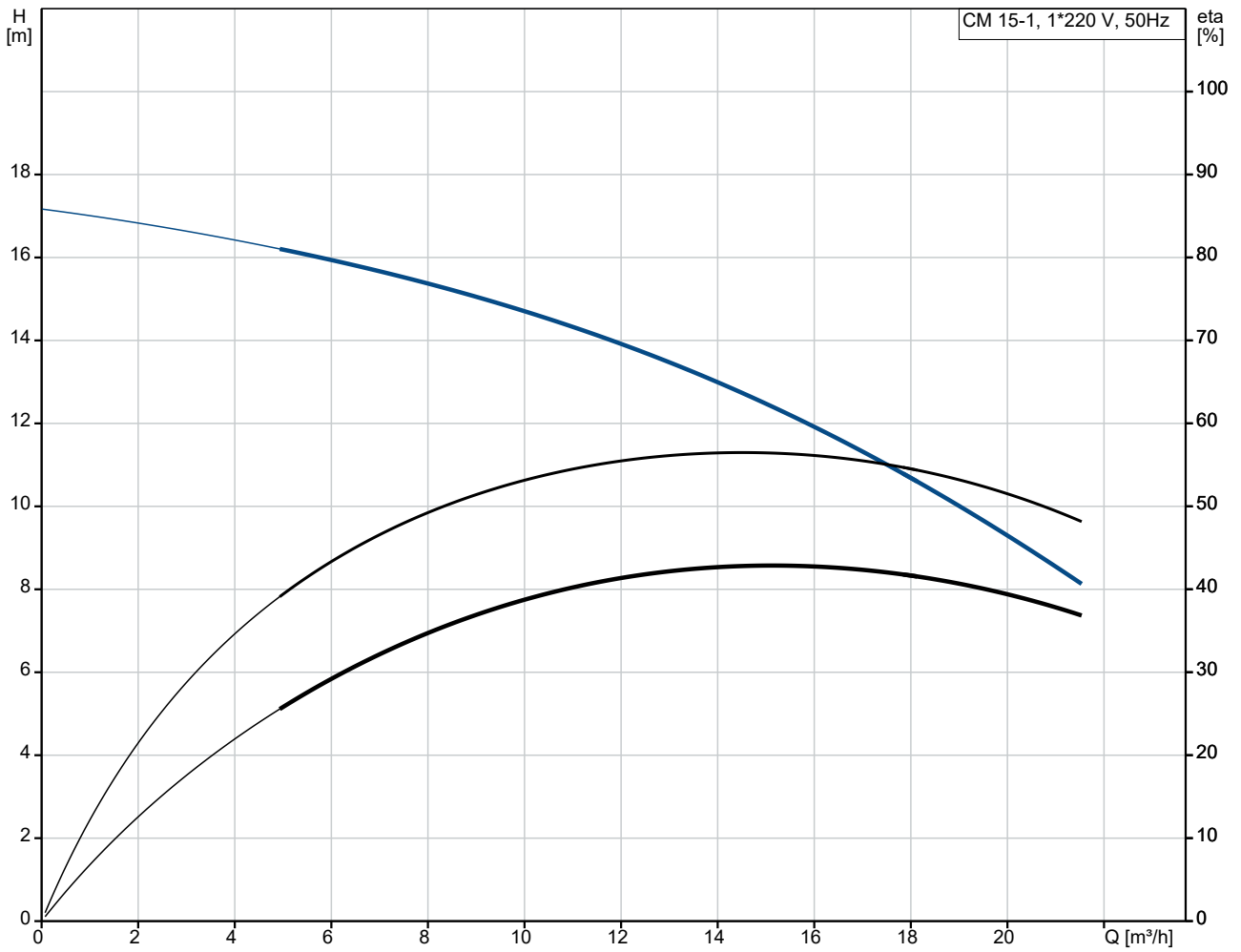


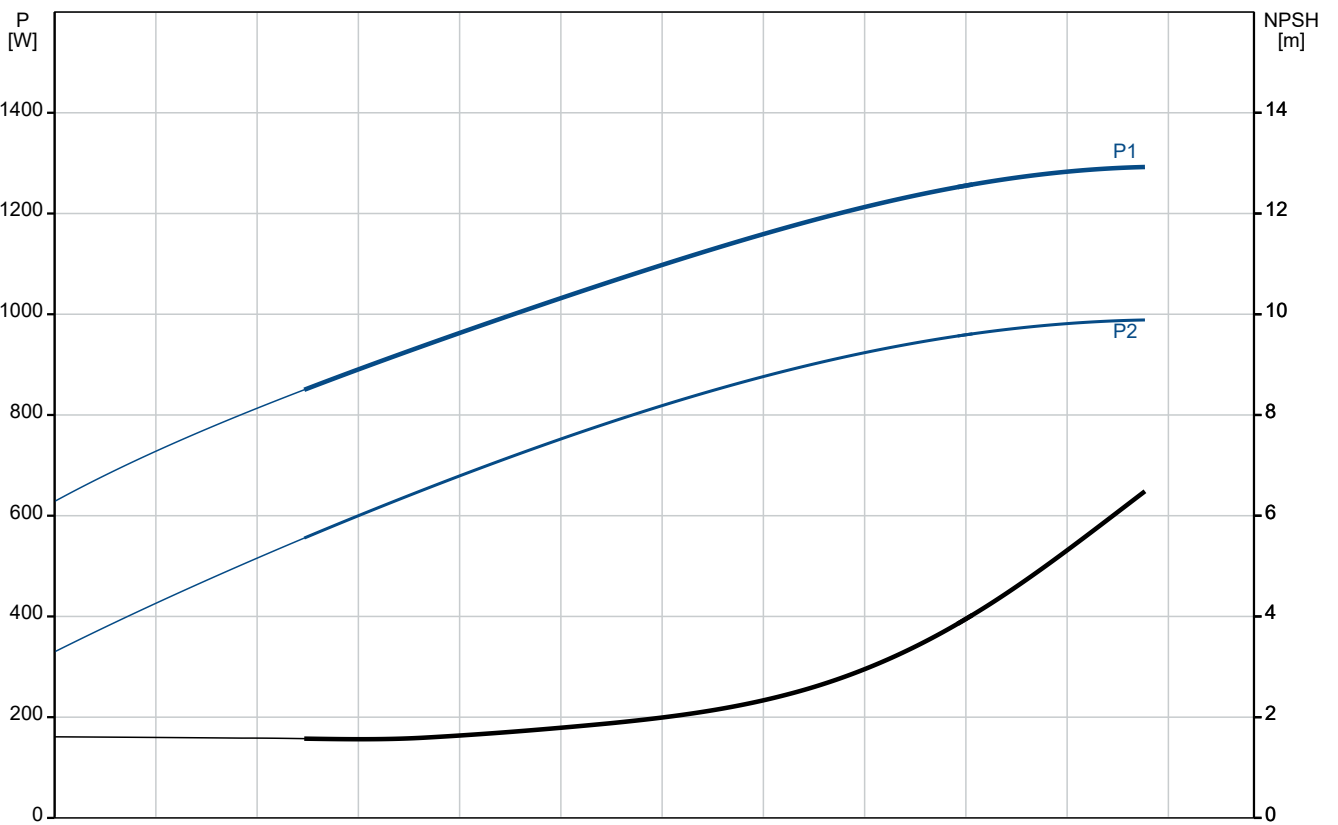
Qty.	Description
1	CM 15-1 A-R-G-V-AQQV C-A-A-N
	
	Note! Product picture may differ from actual product
	Product No.: On request
	<p>Compact, reliable, horizontal, multistage, end-suction centrifugal pump with axial suction port and radial discharge port. Pump materials in contact with the liquid are in high-grade stainless steel. The mechanical shaft seal is a special designed, unbalanced O-ring seal. Pipework connection is via internal Whitworth pipe threads, Rp (ISO 7/1).</p>
	<p>The pump is fitted with a 1-phase, foot-mounted, fan-cooled asynchronous motor.</p>
	Controls: Frequency converter: NONE
	Liquid: Pumped liquid: Water Liquid temperature range: -20 .. 90 °C Selected liquid temperature: 20 °C Density: 998.2 kg/m ³
	Technical: Pump speed on which pump data are based: 2900 rpm Rated flow: 17 m ³ /h Rated head: 11.86 m Code for shaft seal: AQQV Approvals: CE,EAC,UKCA Approvals for drinking water: WRAS,ACS,UBA Curve tolerance: ISO9906:2012 3B
	Materials: Pump housing: Stainless steel EN 1.4401 AISI 316 Impeller: Stainless steel EN 1.4401 AISI 316
	Installation: Range of ambient temperature: -20 .. 55 °C Maximum operating pressure: 16 bar Max pressure at stated temp: 16 bar / 90 °C 16 bar / 90 °C
	Type of connection: Rp Size of inlet connection: 2 inch Size of outlet connection: 2 inch Outlet position: 12
	Electrical data: Motor standard: IEC Frame size: 90SA Rated power - P2: 1.3 kW Mains frequency: 50 Hz Suitable for 50/60 Hz: N Rated voltage: 1 x 220-240 V V Service factor: 1.00 Rated current: 8.4-8.0 A

Qty.	Description
1	<p>Starting current: 340-340 % Rated speed: 2710 rpm Enclosure class (IEC 34-5): IP55 Insulation class (IEC 85): F Built-in motor protection: PTO Cable included (Yes/No): N</p> <p>Others: Terminal box position: 12 Minimum efficiency index, MEI ≥: 0.59 Net weight: 24.5 kg Gross weight: 27 kg Country of origin: TW Custom tariff no.: 84137042</p>

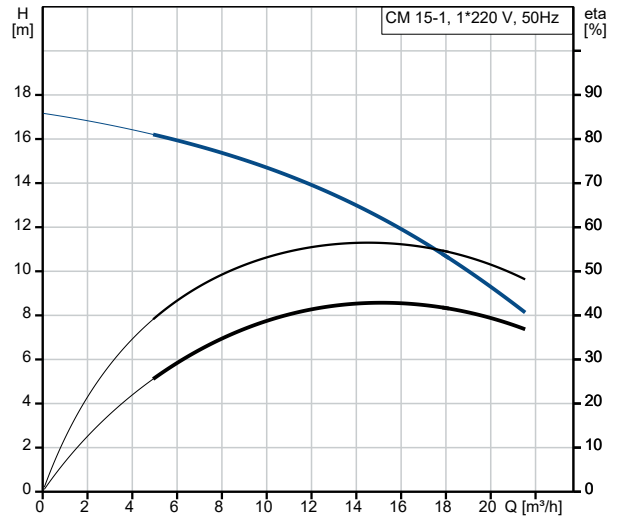
On request CM 15-1 A-R-G-V-AQQV C-A-A-N 50 Hz



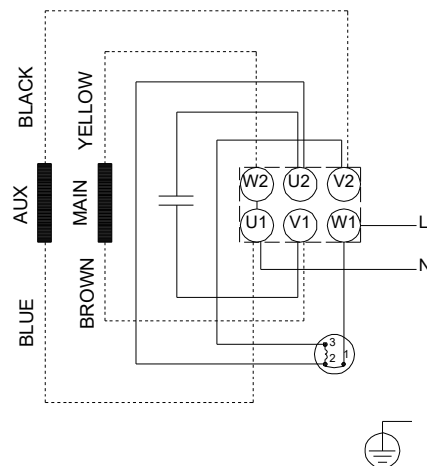
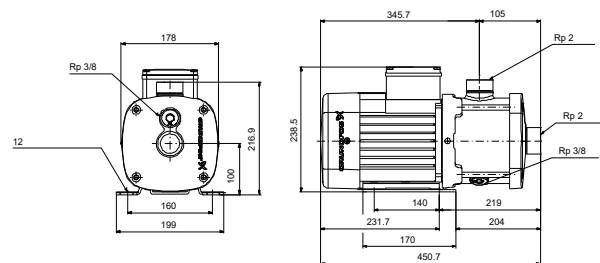
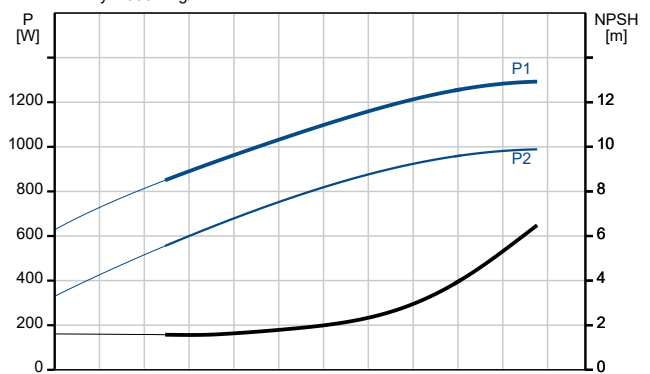
Pumped liquid = Water
 Liquid temperature during operation = 20 °C
 Density = 998.2 kg/m³



Description	Value
General information:	
Product name:	CM 15-1 A-R-G-V-AQQV C-A-A-N
Product No:	On request
EAN number:	On request
Technical:	
Pump speed on which pump data are based:	2900 rpm
Rated flow:	17 m ³ /h
Rated head:	11.86 m
Impellers:	1
Code for shaft seal:	AQQV
Approvals:	CE,EAC,UKCA
Approvals for drinking water:	WRAS,ACS,UBA
Curve tolerance:	ISO9906:2012 3B
Pump version:	A
Model:	A
Materials:	
Pump housing:	Stainless steel
Pump housing:	EN 1.4401
Pump housing:	AISI 316
Impeller:	Stainless steel
Impeller:	EN 1.4401
Impeller:	AISI 316
Material code:	G
Code for rubber:	V
Installation:	
Range of ambient temperature:	-20 .. 55 °C
Maximum operating pressure:	16 bar
Max pressure at stated temp:	16 bar / 90 °C
Max pressure at stated temp:	16 bar / 90 °C
Type of connection:	Rp
Size of inlet connection:	2 inch
Size of outlet connection:	2 inch
Outlet position:	12
Connect code:	R
Liquid:	
Pumped liquid:	Water
Liquid temperature range:	-20 .. 90 °C
Selected liquid temperature:	20 °C
Density:	998.2 kg/m ³
Electrical data:	
Motor standard:	IEC
Frame size:	90SA
Rated power - P2:	1.3 kW
Mains frequency:	50 Hz
Suitable for 50/60 Hz:	N
Rated voltage:	1 x 220-240 V V
Service factor:	1.00
Rated current:	8.4-8.0 A
Starting current:	340-340 %
Rated speed:	2710 rpm
Enclosure class (IEC 34-5):	IP55
Insulation class (IEC 85):	F
Built-in motor protection:	PTO
Cable included (Yes/No):	N
Controls:	
Frequency converter:	NONE
Others:	
Terminal box position:	12
Minimum efficiency index, MEI ≥:	0.59
Net weight:	24.5 kg
Gross weight:	27 kg
Country of origin:	TW



Pumped liquid = Water
Liquid temperature during operation = 20 °C
Density = 998.2 kg/m³

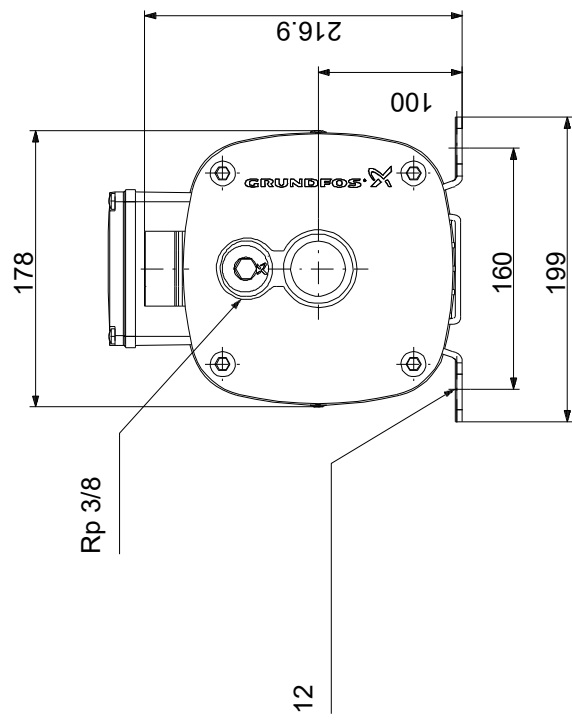
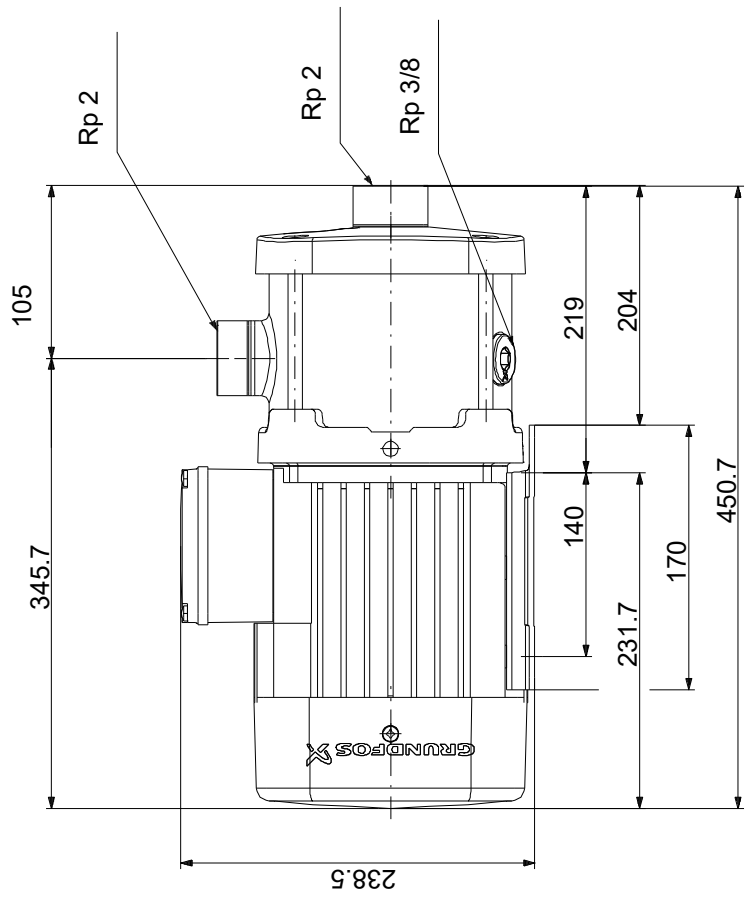


Description**Value**

Custom tariff no.:

84137042

On request CM 15-1 A-R-G-V-AQQV C-A-A-N 50 Hz



Note! All units are in [mm] unless others are stated.
 Disclaimer: This simplified dimensional drawing does not show all details.