
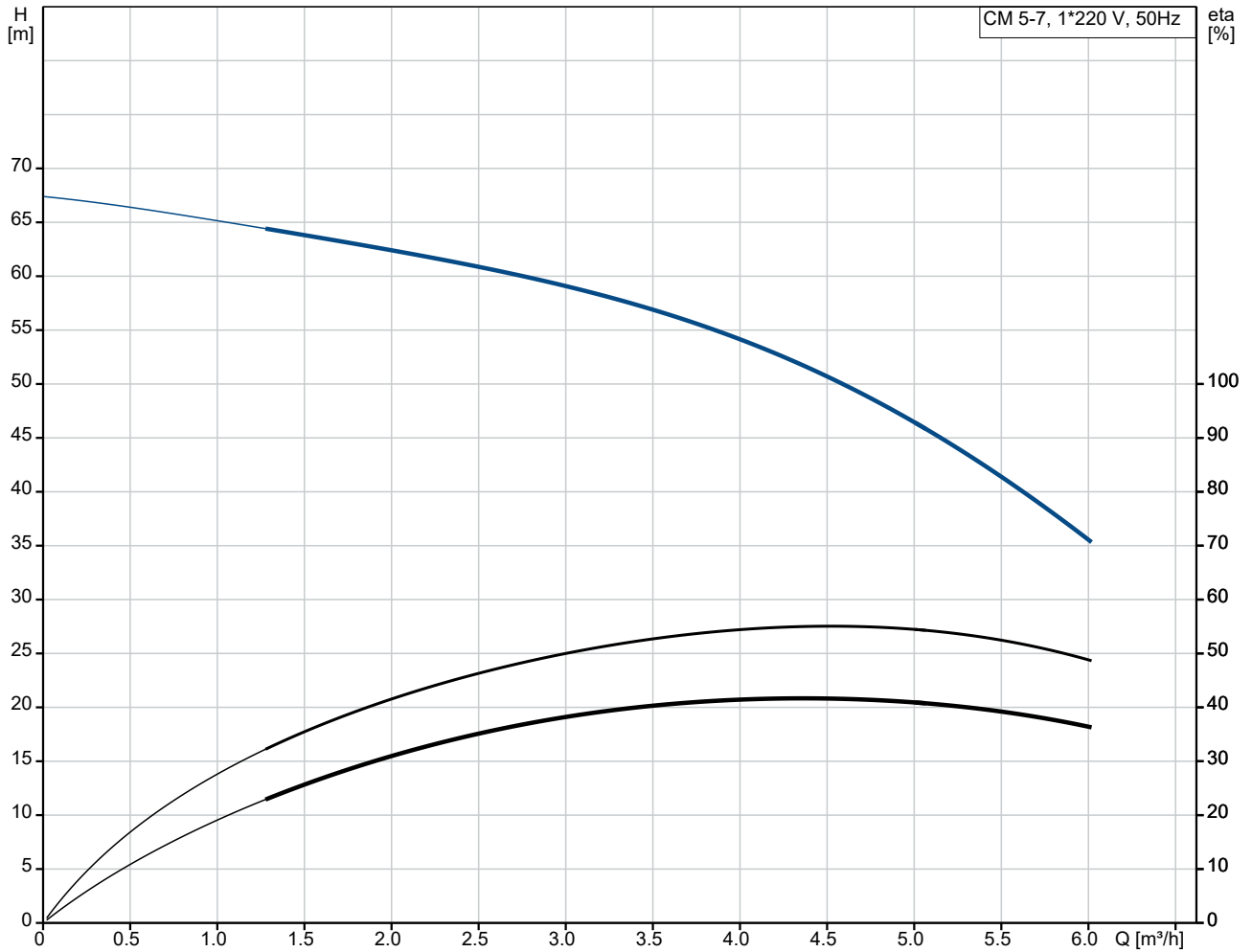


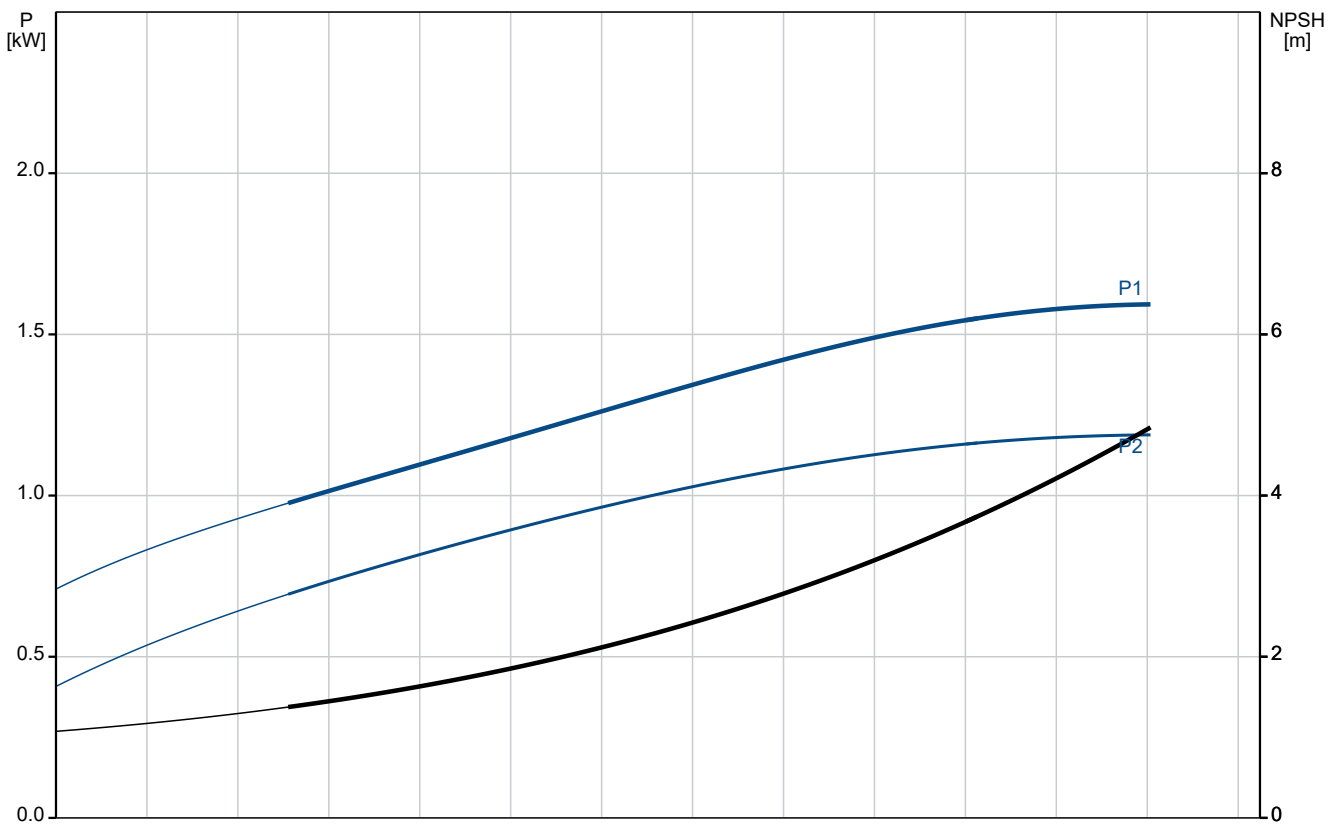
| Qty. | Description  |
|------|--|
| 1    | <b>CM 5-7 A-R-G-V-AQQV C-A-A-N</b>   |
|      |   |
|      | <b>Note! Product picture may differ from actual product</b>  |
|      | Product No.: On request  |
|      | Compact, reliable, horizontal, multistage, end-suction centrifugal pump with axial suction port and radial discharge port. Pump materials in contact with the liquid are in high-grade stainless steel. The mechanical shaft seal is a special designed, unbalanced O-ring seal. Pipework connection is via internal Whitworth pipe threads, Rp (ISO 7/1). |
|      | The pump is fitted with a 1-phase, foot-mounted, fan-cooled asynchronous motor.  |
|      | <b>Controls:</b>   |
|      | Frequency converter:                    NONE   |
|      | <b>Liquid:</b>   |
|      | Pumped liquid:                            Water  |
|      | Liquid temperature range:            -20 .. 90 °C  |
|      | Selected liquid temperature:        20 °C  |
|      | Density:                                     998.2 kg/m <sup>3</sup>   |
|      | <b>Technical:</b>  |
|      | Pump speed on which pump data are based:    2900 rpm   |
|      | Rated flow:                                 4.7 m <sup>3</sup> /h  |
|      | Rated head:                                 54.47 m  |
|      | Code for shaft seal:                     AQQV  |
|      | Approvals:                                 CE,EAC,UKCA   |
|      | Approvals for drinking water:        WRAS,ACS,UBA  |
|      | Curve tolerance:                         ISO9906:2012 3B   |
|      | <b>Materials:</b>  |
|      | Pump housing:                             Stainless steel<br>EN 1.4401<br>AISI 316   |
|      | Impeller:                                    Stainless steel<br>EN 1.4401<br>AISI 316  |
|      | <b>Installation:</b>   |
|      | Range of ambient temperature:       -20 .. 55 °C   |
|      | Maximum operating pressure:        16 bar  |
|      | Max pressure at stated temp:        16 bar / 90 °C<br>16 bar / 90 °C   |
|      | Type of connection:                     Rp   |
|      | Size of inlet connection:               1 1/4 inch   |
|      | Size of outlet connection:             1 inch  |
|      | Outlet position:                            12   |
|      | <b>Electrical data:</b>  |
|      | Motor standard:                         IEC  |
|      | Frame size:                                90SA  |
|      | Rated power - P2:                        1.3 kW  |
|      | Mains frequency:                        50 Hz  |
|      | Suitable for 50/60 Hz:                 N   |
|      | Rated voltage:                            1 x 220-240 V V  |
|      | Service factor:                            1.00  |
|      | Rated current:                            8.4-8.0 A  |

| Qty.                             | Description   |                   |           |              |          |                             |      |                            |   |                            |     |                          |   |         |  |                        |    |                                  |     |             |         |               |         |                    |    |                    |          |
|----------------------------------|---|-------------------|-----------|--------------|----------|-----------------------------|------|----------------------------|---|----------------------------|-----|--------------------------|---|---------|--|------------------------|----|----------------------------------|-----|-------------|---------|---------------|---------|--------------------|----|--------------------|----------|
| 1                                | <table> <tr> <td>Starting current:</td> <td>340-340 %</td> </tr> <tr> <td>Rated speed:</td> <td>2710 rpm</td> </tr> <tr> <td>Enclosure class (IEC 34-5):</td> <td>IP55</td> </tr> <tr> <td>Insulation class (IEC 85):</td> <td>F</td> </tr> <tr> <td>Built-in motor protection:</td> <td>PTO</td> </tr> <tr> <td>Cable included (Yes/No):</td> <td>N</td> </tr> <tr> <td colspan="2">Others:</td> </tr> <tr> <td>Terminal box position:</td> <td>12</td> </tr> <tr> <td>Minimum efficiency index, MEI ≥:</td> <td>0.7</td> </tr> <tr> <td>Net weight:</td> <td>21.9 kg</td> </tr> <tr> <td>Gross weight:</td> <td>24.4 kg</td> </tr> <tr> <td>Country of origin:</td> <td>TW</td> </tr> <tr> <td>Custom tariff no.:</td> <td>84137042</td> </tr> </table> | Starting current: | 340-340 % | Rated speed: | 2710 rpm | Enclosure class (IEC 34-5): | IP55 | Insulation class (IEC 85): | F | Built-in motor protection: | PTO | Cable included (Yes/No): | N | Others: |  | Terminal box position: | 12 | Minimum efficiency index, MEI ≥: | 0.7 | Net weight: | 21.9 kg | Gross weight: | 24.4 kg | Country of origin: | TW | Custom tariff no.: | 84137042 |
| Starting current:                | 340-340 %   |                   |           |              |          |                             |      |                            |   |                            |     |                          |   |         |  |                        |    |                                  |     |             |         |               |         |                    |    |                    |          |
| Rated speed:                     | 2710 rpm  |                   |           |              |          |                             |      |                            |   |                            |     |                          |   |         |  |                        |    |                                  |     |             |         |               |         |                    |    |                    |          |
| Enclosure class (IEC 34-5):      | IP55  |                   |           |              |          |                             |      |                            |   |                            |     |                          |   |         |  |                        |    |                                  |     |             |         |               |         |                    |    |                    |          |
| Insulation class (IEC 85):       | F   |                   |           |              |          |                             |      |                            |   |                            |     |                          |   |         |  |                        |    |                                  |     |             |         |               |         |                    |    |                    |          |
| Built-in motor protection:       | PTO   |                   |           |              |          |                             |      |                            |   |                            |     |                          |   |         |  |                        |    |                                  |     |             |         |               |         |                    |    |                    |          |
| Cable included (Yes/No):         | N   |                   |           |              |          |                             |      |                            |   |                            |     |                          |   |         |  |                        |    |                                  |     |             |         |               |         |                    |    |                    |          |
| Others:                          |   |                   |           |              |          |                             |      |                            |   |                            |     |                          |   |         |  |                        |    |                                  |     |             |         |               |         |                    |    |                    |          |
| Terminal box position:           | 12  |                   |           |              |          |                             |      |                            |   |                            |     |                          |   |         |  |                        |    |                                  |     |             |         |               |         |                    |    |                    |          |
| Minimum efficiency index, MEI ≥: | 0.7   |                   |           |              |          |                             |      |                            |   |                            |     |                          |   |         |  |                        |    |                                  |     |             |         |               |         |                    |    |                    |          |
| Net weight:                      | 21.9 kg   |                   |           |              |          |                             |      |                            |   |                            |     |                          |   |         |  |                        |    |                                  |     |             |         |               |         |                    |    |                    |          |
| Gross weight:                    | 24.4 kg   |                   |           |              |          |                             |      |                            |   |                            |     |                          |   |         |  |                        |    |                                  |     |             |         |               |         |                    |    |                    |          |
| Country of origin:               | TW  |                   |           |              |          |                             |      |                            |   |                            |     |                          |   |         |  |                        |    |                                  |     |             |         |               |         |                    |    |                    |          |
| Custom tariff no.:               | 84137042  |                   |           |              |          |                             |      |                            |   |                            |     |                          |   |         |  |                        |    |                                  |     |             |         |               |         |                    |    |                    |          |

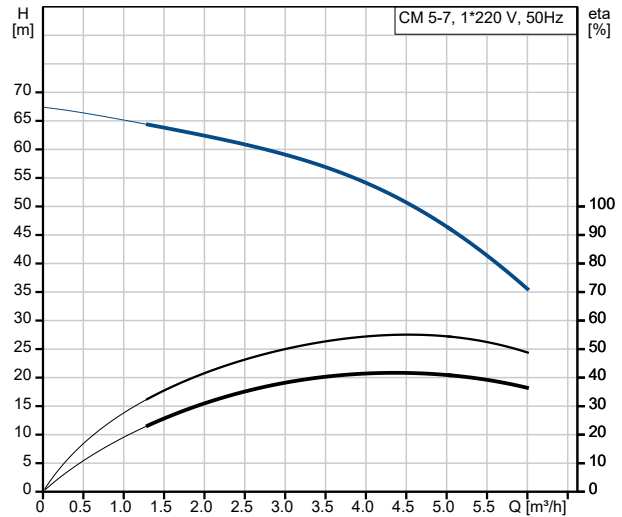
# On request CM 5-7 A-R-G-V-AQQV C-A-A-N 50 Hz



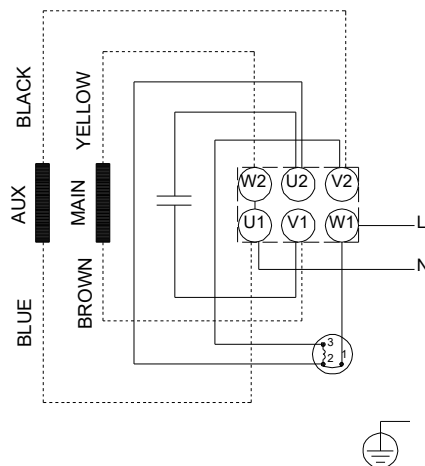
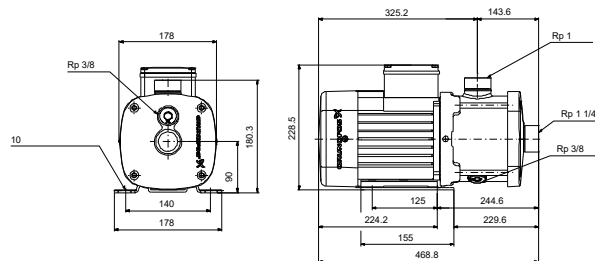
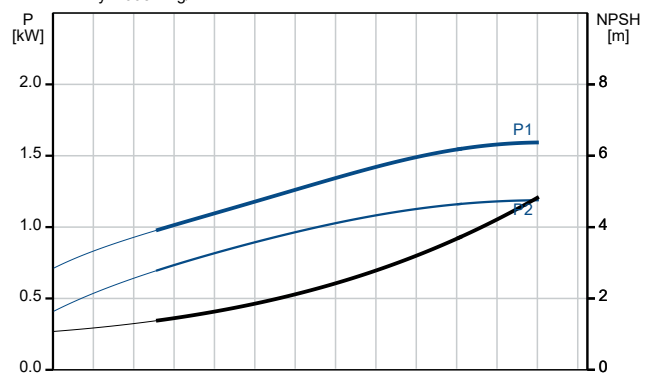
Pumped liquid = Water  
 Liquid temperature during operation = 20 °C  
 Density = 998.2 kg/m³



| Description                              | Value                          |
|--|--------------------------------|
| <b>General information:</b>              |                                |
| Product name:                            | CM 5-7 A-R-G-V-AQQV<br>C-A-A-N |
| Product No:                              | On request                     |
| EAN number:                              | On request                     |
| <b>Technical:</b>                        |                                |
| Pump speed on which pump data are based: | 2900 rpm                       |
| Rated flow:                              | 4.7 m <sup>3</sup> /h          |
| Rated head:                              | 54.47 m                        |
| Impellers:                               | 7                              |
| Code for shaft seal:                     | AQQV                           |
| Approvals:                               | CE,EAC,UKCA                    |
| Approvals for drinking water:            | WRAS,ACS,UBA                   |
| Curve tolerance:                         | ISO9906:2012 3B                |
| Pump version:                            | A                              |
| Model:                                   | A                              |
| <b>Materials:</b>                        |                                |
| Pump housing:                            | Stainless steel                |
| Pump housing:                            | EN 1.4401                      |
| Pump housing:                            | AISI 316                       |
| Impeller:                                | Stainless steel                |
| Impeller:                                | EN 1.4401                      |
| Impeller:                                | AISI 316                       |
| Material code:                           | G                              |
| Code for rubber:                         | V                              |
| <b>Installation:</b>                     |                                |
| Range of ambient temperature:            | -20 .. 55 °C                   |
| Maximum operating pressure:              | 16 bar                         |
| Max pressure at stated temp:             | 16 bar / 90 °C                 |
| Max pressure at stated temp:             | 16 bar / 90 °C                 |
| Type of connection:                      | Rp                             |
| Size of inlet connection:                | 1 1/4 inch                     |
| Size of outlet connection:               | 1 inch                         |
| Outlet position:                         | 12                             |
| Connect code:                            | R                              |
| <b>Liquid:</b>                           |                                |
| Pumped liquid:                           | Water                          |
| Liquid temperature range:                | -20 .. 90 °C                   |
| Selected liquid temperature:             | 20 °C                          |
| Density:                                 | 998.2 kg/m <sup>3</sup>        |
| <b>Electrical data:</b>                  |                                |
| Motor standard:                          | IEC                            |
| Frame size:                              | 90SA                           |
| Rated power - P2:                        | 1.3 kW                         |
| Mains frequency:                         | 50 Hz                          |
| Suitable for 50/60 Hz:                   | N                              |
| Rated voltage:                           | 1 x 220-240 V V                |
| Service factor:                          | 1.00                           |
| Rated current:                           | 8.4-8.0 A                      |
| Starting current:                        | 340-340 %                      |
| Rated speed:                             | 2710 rpm                       |
| Enclosure class (IEC 34-5):              | IP55                           |
| Insulation class (IEC 85):               | F                              |
| Built-in motor protection:               | PTO                            |
| Cable included (Yes/No):                 | N                              |
| <b>Controls:</b>                         |                                |
| Frequency converter:                     | NONE                           |
| <b>Others:</b>                           |                                |
| Terminal box position:                   | 12                             |
| Minimum efficiency index, MEI ≥:         | 0.7                            |
| Net weight:                              | 21.9 kg                        |
| Gross weight:                            | 24.4 kg                        |
| Country of origin:                       | TW                             |



Pumped liquid = Water  
Liquid temperature during operation = 20 °C  
Density = 998.2 kg/m<sup>3</sup>

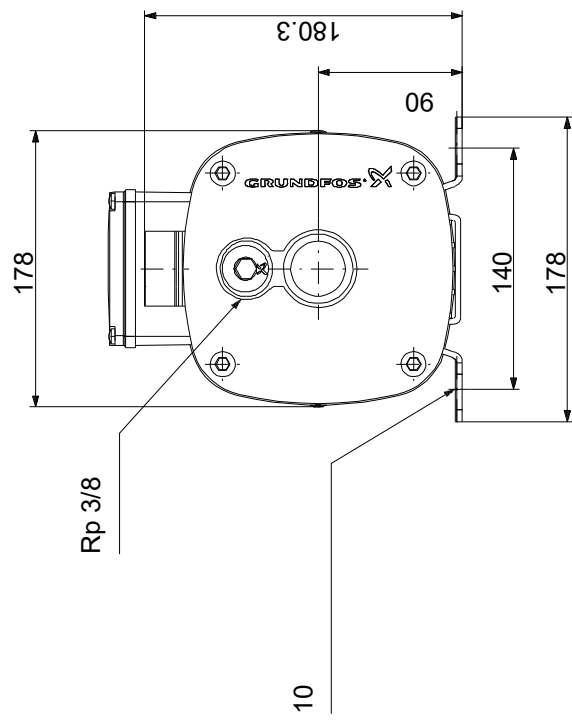
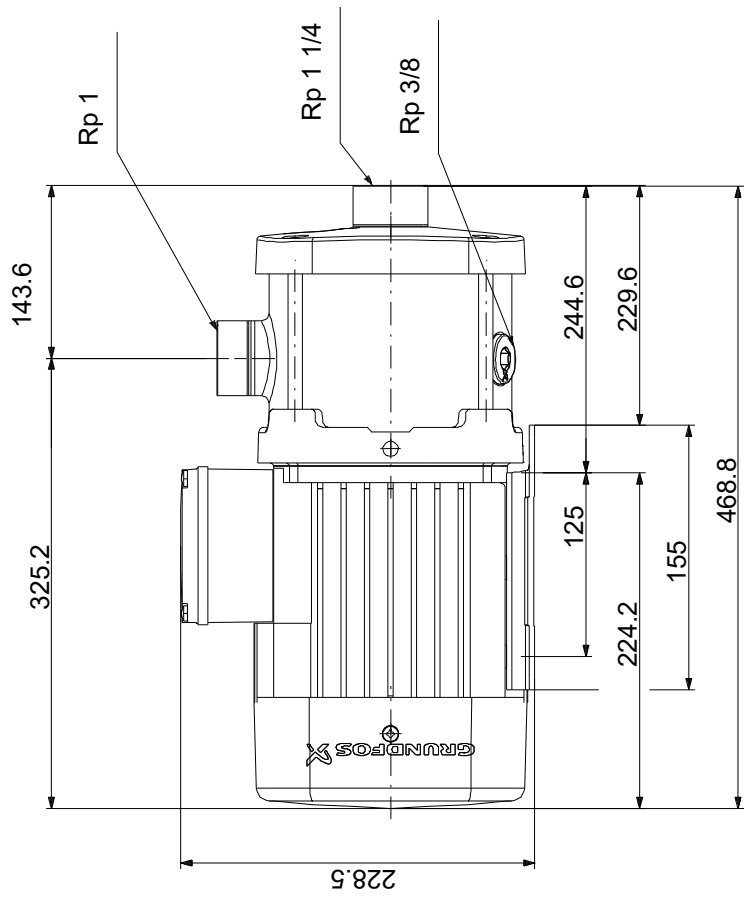


**Description****Value**

Custom tariff no.:

84137042

# On request CM 5-7 A-R-G-V-AQQV C-A-A-N 50 Hz



Note! All units are in [mm] unless others are stated.  
 Disclaimer: This simplified dimensional drawing does not show all details.