
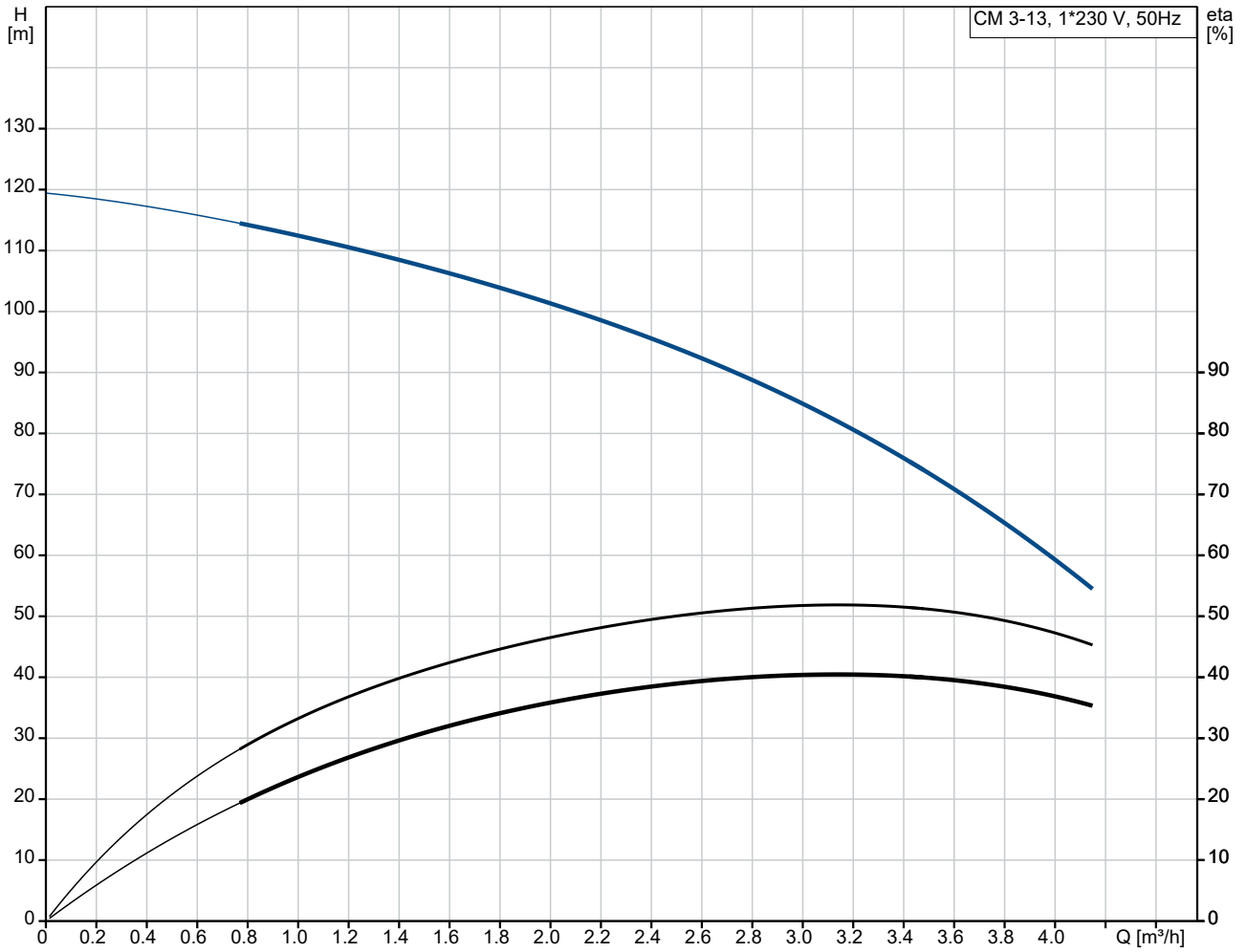


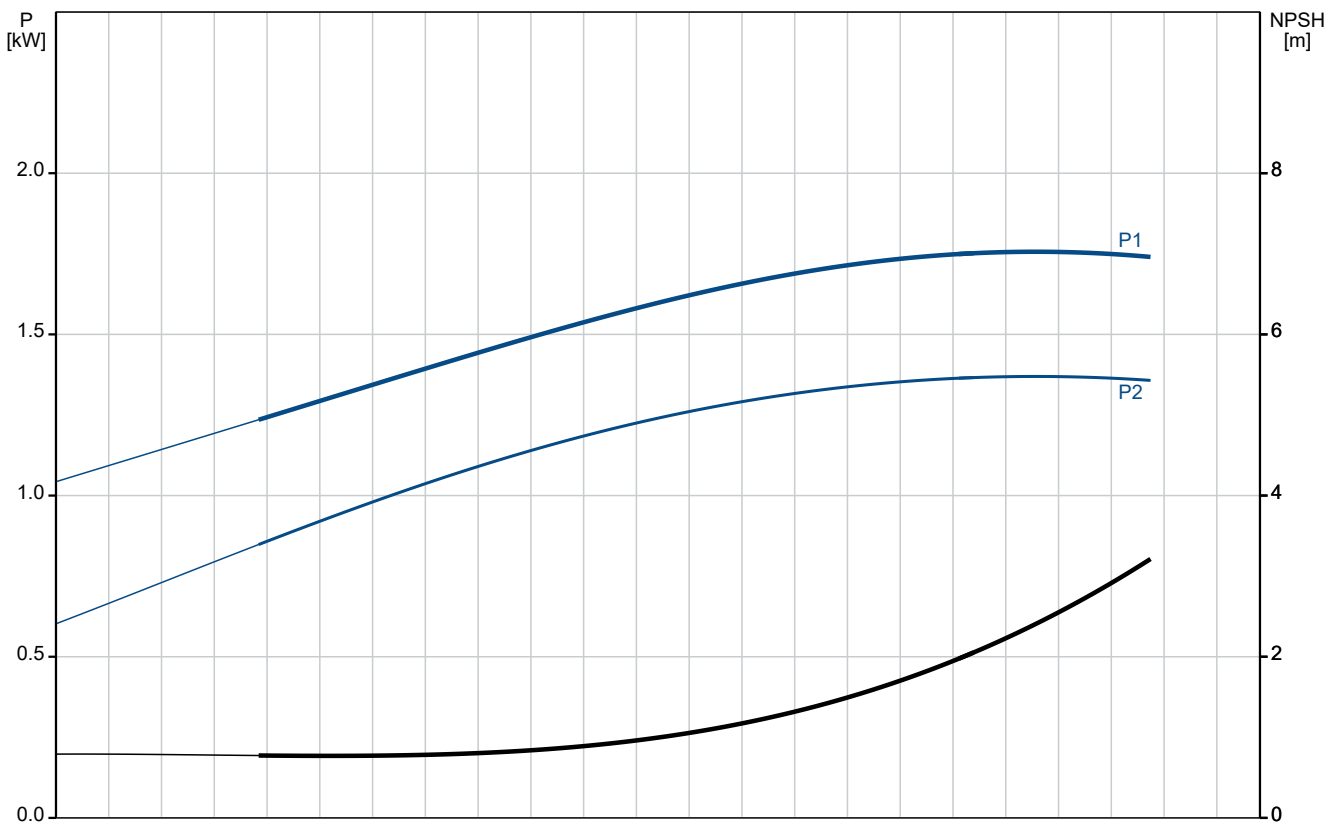
Qty.	Description
1	CM 3-13 A-R-G-V-AQQV C-A-A-N
	
	Note! Product picture may differ from actual product
	Product No.: On request
	Compact, reliable, horizontal, multistage, end-suction centrifugal pump with axial suction port and radial discharge port. Pump materials in contact with the liquid are in high-grade stainless steel. The mechanical shaft seal is a special designed, unbalanced O-ring seal. Pipework connection is via internal Whitworth pipe threads, Rp (ISO 7/1).
	The pump is fitted with a 1-phase, foot-mounted, fan-cooled asynchronous motor.
	Controls:
	Frequency converter: NONE
	Liquid:
	Pumped liquid: Water
	Liquid temperature range: -20 .. 90 °C
	Selected liquid temperature: 20 °C
	Density: 998.2 kg/m ³
	Technical:
	Pump speed on which pump data are based: 2900 rpm
	Rated flow: 3.1 m ³ /h
	Rated head: 90.98 m
	Code for shaft seal: AQQV
	Approvals: CE,EAC,UKCA
	Approvals for drinking water: WRAS,ACS,UBA
	Curve tolerance: ISO9906:2012 3B
	Materials:
	Pump housing: Stainless steel EN 1.4401 AISI 316
	Impeller: Stainless steel EN 1.4401 AISI 316
	Installation:
	Range of ambient temperature: -20 .. 55 °C
	Maximum operating pressure: 16 bar
	Max pressure at stated temp: 16 bar / 90 °C 16 bar / 90 °C
	Type of connection: Rp
	Size of inlet connection: 1 inch
	Size of outlet connection: 1 inch
	Outlet position: 12
	Electrical data:
	Motor standard: IEC
	Frame size: 90SB
	Rated power - P2: 1.7 kW
	Mains frequency: 50 Hz
	Suitable for 50/60 Hz: N
	Rated voltage: 1 x 220-240 V V
	Service factor: 1.00
	Rated current: 11.2-10.0 A

Qty.	Description
1	<p>Starting current: 370-370 % Rated speed: 2740-2755 rpm Enclosure class (IEC 34-5): IP55 Insulation class (IEC 85): F Built-in motor protection: PTO Cable included (Yes/No): N</p> <p>Others: Terminal box position: 12 Minimum efficiency index, MEI ≥: 0.7 Net weight: 26.3 kg Gross weight: 28.8 kg</p>

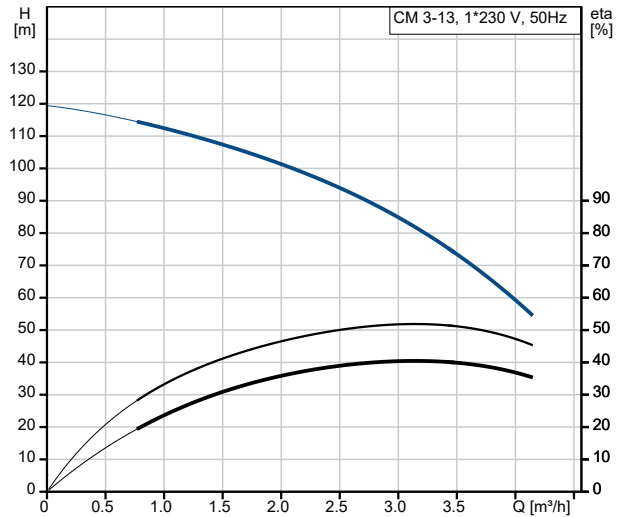
On request CM 3-13 A-R-G-V-AQQV C-A-A-N 50 Hz



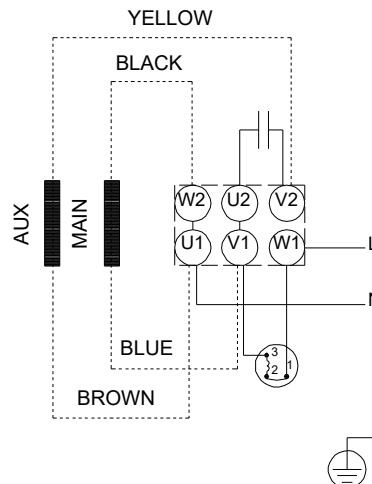
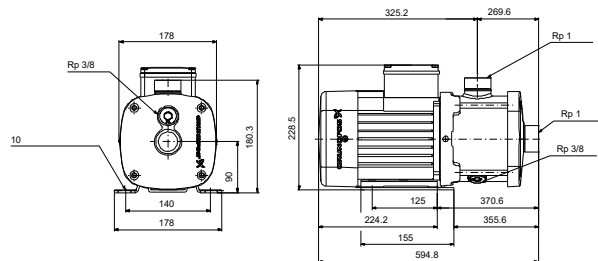
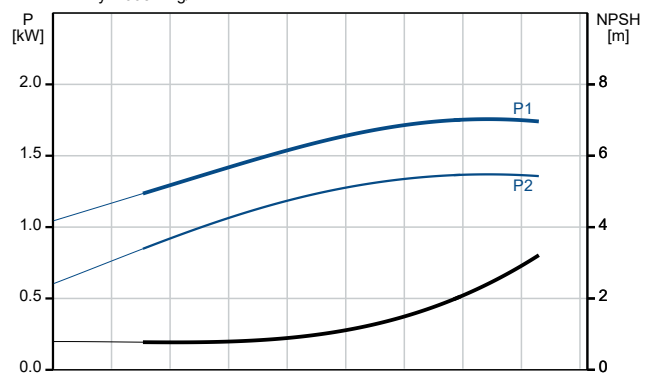
Pumped liquid = Water
 Liquid temperature during operation = 20 °C
 Density = 998.2 kg/m³



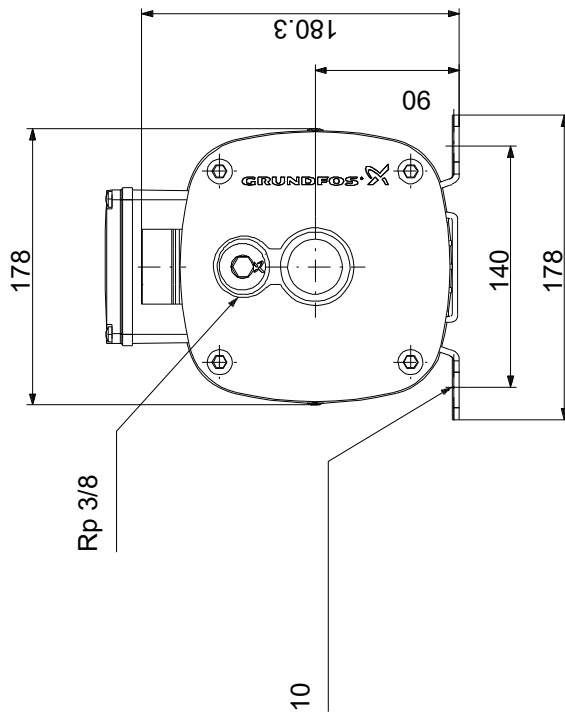
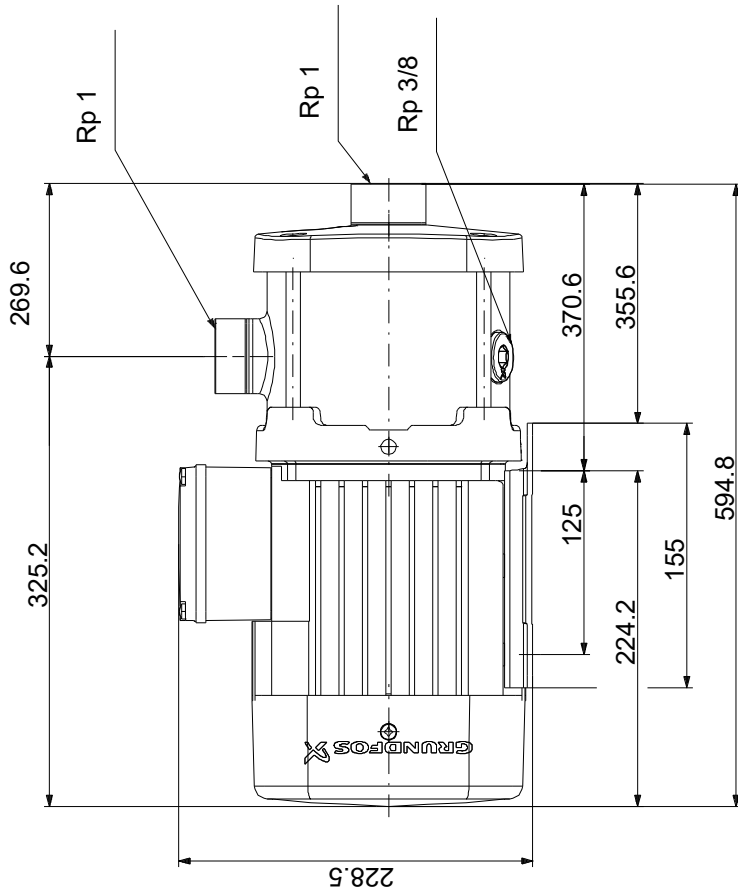
Description	Value
General information:	
Product name:	CM 3-13 A-R-G-V-AQQV C-A-A-N
Product No:	On request
EAN number:	On request
Price:	
Technical:	
Pump speed on which pump data are based:	2900 rpm
Rated flow:	3.1 m ³ /h
Rated head:	90.98 m
Impellers:	13
Code for shaft seal:	AQQV
Approvals:	CE,EAC,UKCA
Approvals for drinking water:	WRAS,ACS,UBA
Curve tolerance:	ISO9906:2012 3B
Pump version:	A
Model:	A
Materials:	
Pump housing:	Stainless steel
Pump housing:	EN 1.4401
Pump housing:	AISI 316
Impeller:	Stainless steel
Impeller:	EN 1.4401
Impeller:	AISI 316
Material code:	G
Code for rubber:	V
Installation:	
Range of ambient temperature:	-20 .. 55 °C
Maximum operating pressure:	16 bar
Max pressure at stated temp:	16 bar / 90 °C
Max pressure at stated temp:	16 bar / 90 °C
Type of connection:	Rp
Size of inlet connection:	1 inch
Size of outlet connection:	1 inch
Outlet position:	12
Connect code:	R
Liquid:	
Pumped liquid:	Water
Liquid temperature range:	-20 .. 90 °C
Selected liquid temperature:	20 °C
Density:	998.2 kg/m ³
Electrical data:	
Motor standard:	IEC
Frame size:	90SB
Rated power - P2:	1.7 kW
Mains frequency:	50 Hz
Suitable for 50/60 Hz:	N
Rated voltage:	1 x 220-240 V V
Service factor:	1.00
Rated current:	11.2-10.0 A
Starting current:	370-370 %
Rated speed:	2740-2755 rpm
Enclosure class (IEC 34-5):	IP55
Insulation class (IEC 85):	F
Built-in motor protection:	PTO
Cable included (Yes/No):	N
Controls:	
Frequency converter:	NONE
Others:	
Terminal box position:	12
Minimum efficiency index, MEI ≥:	0.7
Net weight:	26.3 kg
Gross weight:	28.8 kg



Pumped liquid = Water
Liquid temperature during operation = 20 °C
Density = 998.2 kg/m³



On request CM 3-13 A-R-G-V-AQQV C-A-A-N 50 Hz



Note! All units are in [mm] unless others are stated.
 Disclaimer: This simplified dimensional drawing does not show all details.