
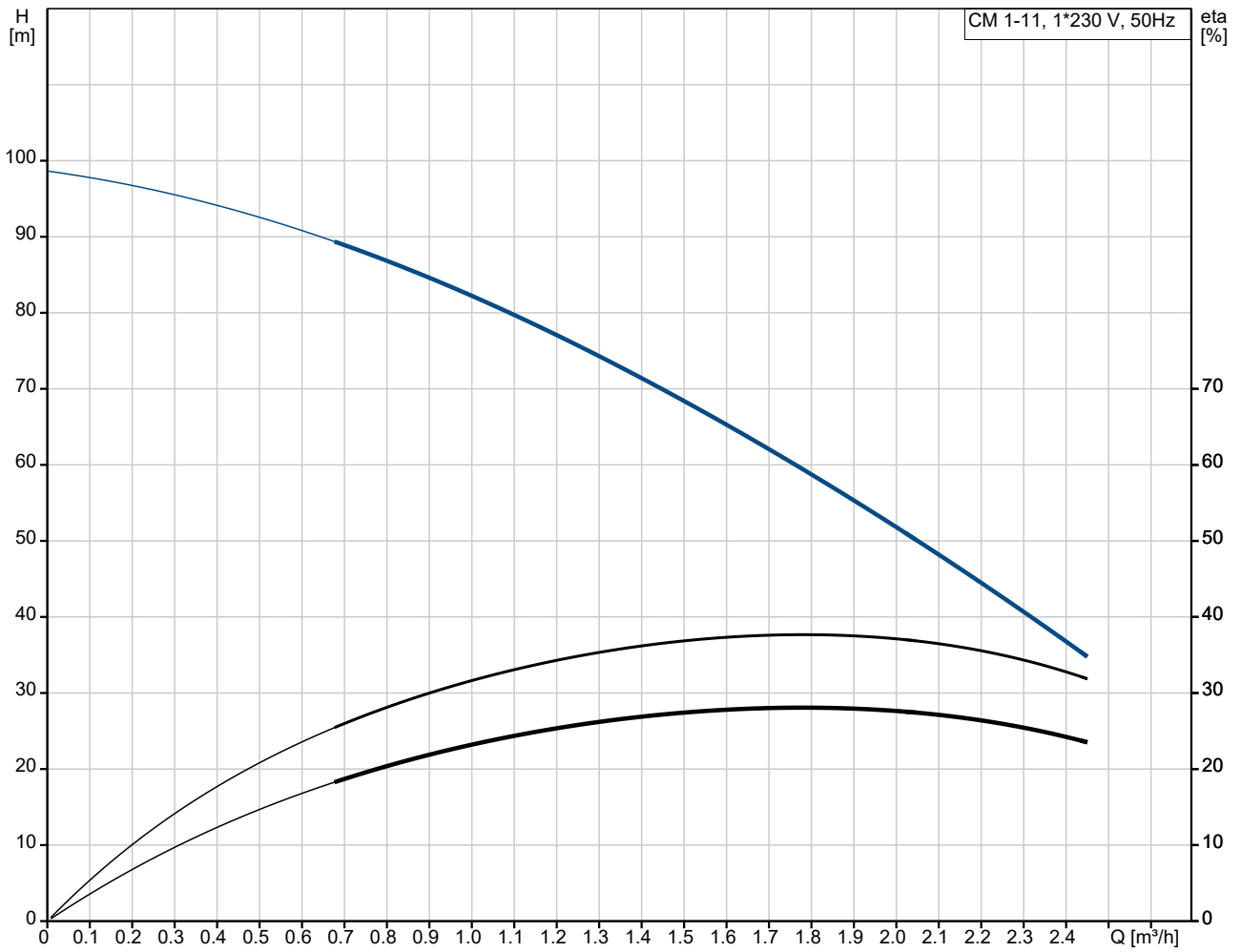


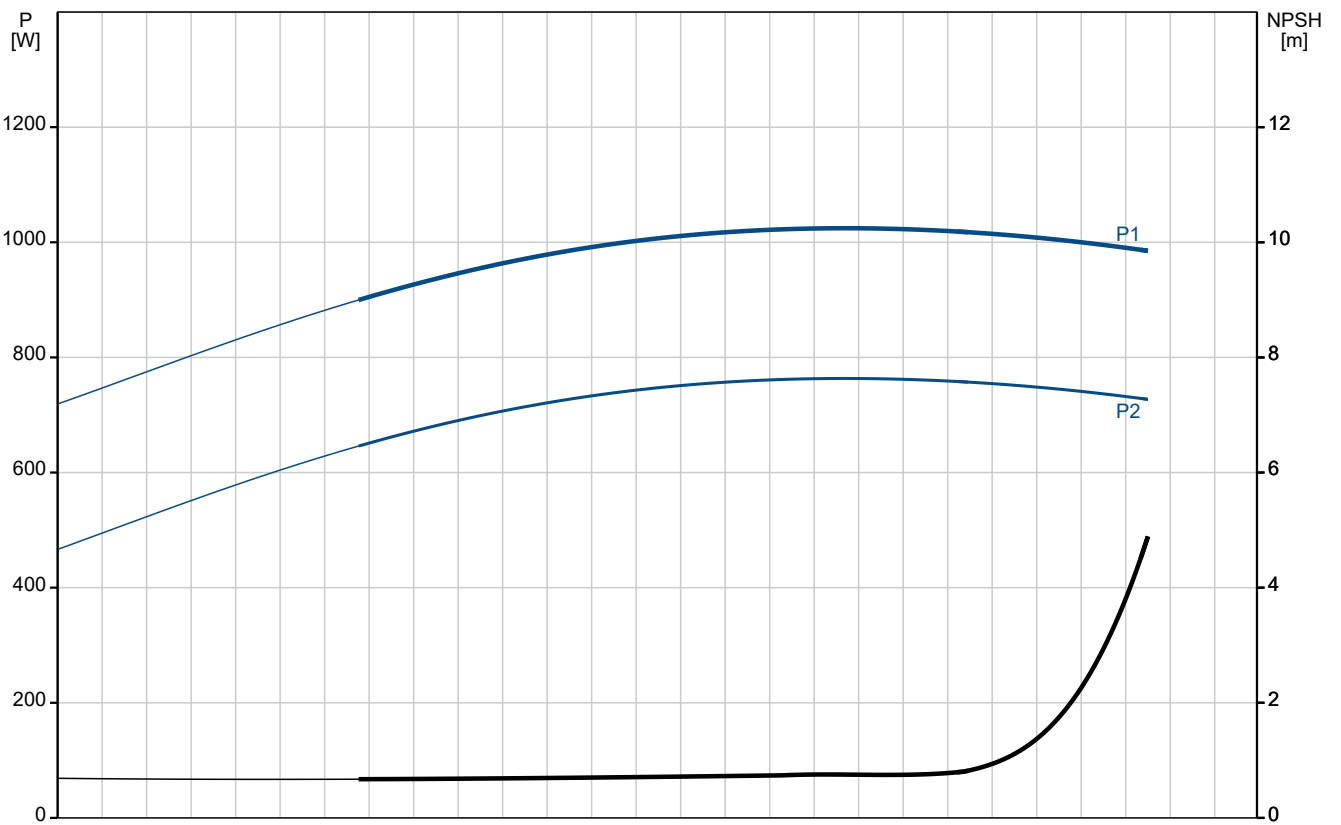
| Qty. | Description |
|------|--|
| 1 | CM 1-11 A-R-G-V-AQQV C-A-A-N |
| |  |
| | Note! Product picture may differ from actual product |
| | Product No.: On request |
| | Compact, reliable, horizontal, multistage, end-suction centrifugal pump with axial suction port and radial discharge port. Pump materials in contact with the liquid are in high-grade stainless steel. The mechanical shaft seal is a special designed, unbalanced O-ring seal. Pipework connection is via internal Whitworth pipe threads, Rp (ISO 7/1). |
| | The pump is fitted with a 1-phase, foot-mounted, fan-cooled asynchronous motor. |
| | Controls: |
| | Frequency converter: NONE |
| | Liquid: |
| | Pumped liquid: Water |
| | Liquid temperature range: -20 .. 90 °C |
| | Selected liquid temperature: 20 °C |
| | Density: 998.2 kg/m ³ |
| | Technical: |
| | Pump speed on which pump data are based: 2900 rpm |
| | Rated flow: 1.7 m ³ /h |
| | Rated head: 69.33 m |
| | Code for shaft seal: AQQV |
| | Approvals: CE,EAC,UKCA |
| | Approvals for drinking water: WRAS,ACS,UBA |
| | Curve tolerance: ISO9906:2012 3B |
| | Materials: |
| | Pump housing: Stainless steel EN 1.4401 AISI 316 |
| | Impeller: Stainless steel EN 1.4401 AISI 316 |
| | Installation: |
| | Range of ambient temperature: -20 .. 55 °C |
| | Maximum operating pressure: 16 bar |
| | Max pressure at stated temp: 16 bar / 90 °C 16 bar / 90 °C |
| | Type of connection: Rp |
| | Size of inlet connection: 1 inch |
| | Size of outlet connection: 1 inch |
| | Outlet position: 12 |
| | Electrical data: |
| | Motor standard: IEC |
| | Frame size: 80B |
| | Rated power - P2: 0.9 kW |
| | Mains frequency: 50 Hz |
| | Suitable for 50/60 Hz: N |
| | Rated voltage: 1 x 220-240 V V |
| | Service factor: 1.00 |
| | Rated current: 5.4-5.0 A |

| Qty. | Description |
|------|---|
| 1 | <p>Starting current: 430-430 % Rated speed: 2750-2790 rpm Enclosure class (IEC 34-5): IP55 Insulation class (IEC 85): F Built-in motor protection: PTO Cable included (Yes/No): N</p> <p>Others: Terminal box position: 12 Minimum efficiency index, MEI ≥: 0.68 Net weight: 17.6 kg Gross weight: 20.1 kg Country of origin: TW Custom tariff no.: 84137042</p> |

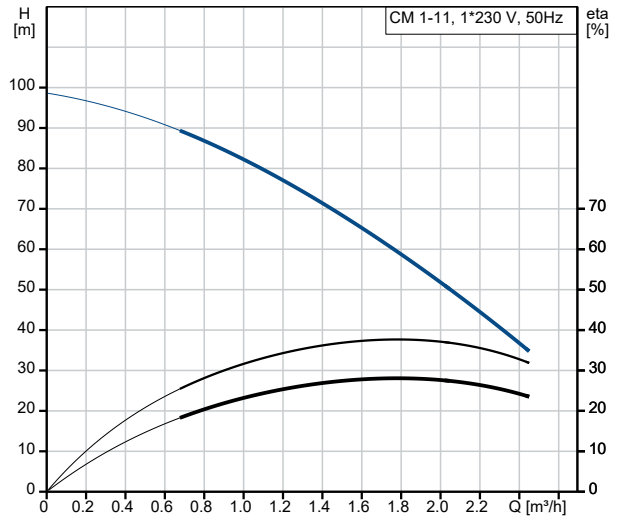
On request CM 1-11 A-R-G-V-AQQV C-A-A-N 50 Hz



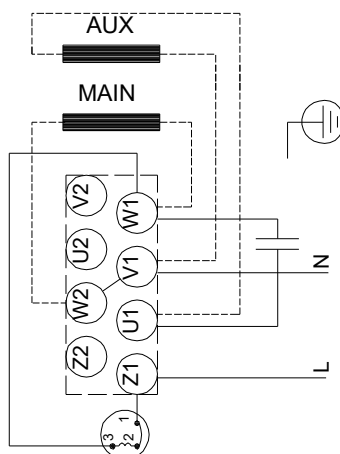
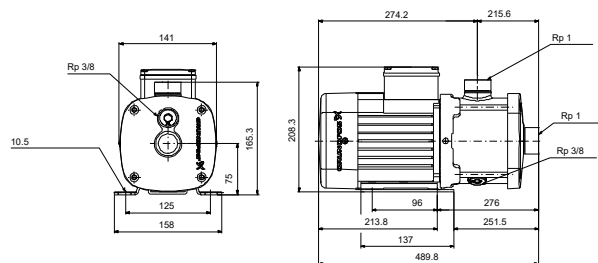
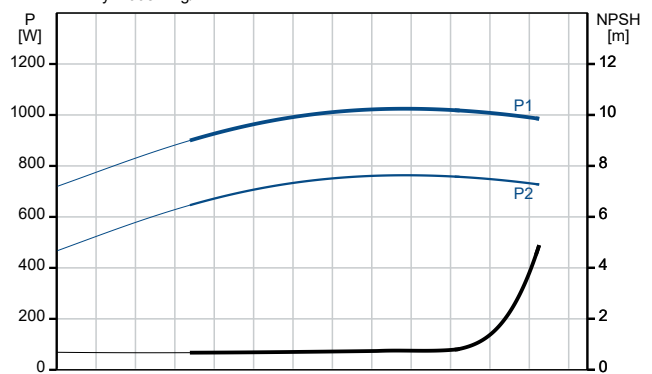
Pumped liquid = Water
 Liquid temperature during operation = 20 °C
 Density = 998.2 kg/m³



| Description | Value |
|--|---------------------------------|
| General information: | |
| Product name: | CM 1-11 A-R-G-V-AQQV C-A-A-N |
| Product No: | On request |
| EAN number: | On request |
| Technical: | |
| Pump speed on which pump data are based: | 2900 rpm |
| Rated flow: | 1.7 m ³ /h |
| Rated head: | 69.33 m |
| Impellers: | 11 |
| Code for shaft seal: | AQQV |
| Approvals: | CE,EAC,UKCA |
| Approvals for drinking water: | WRAS,ACS,UBA |
| Curve tolerance: | ISO9906:2012 3B |
| Pump version: | A |
| Model: | A |
| Materials: | |
| Pump housing: | Stainless steel |
| Pump housing: | EN 1.4401 |
| Pump housing: | AISI 316 |
| Impeller: | Stainless steel |
| Impeller: | EN 1.4401 |
| Impeller: | AISI 316 |
| Material code: | G |
| Code for rubber: | V |
| Installation: | |
| Range of ambient temperature: | -20 .. 55 °C |
| Maximum operating pressure: | 16 bar |
| Max pressure at stated temp: | 16 bar / 90 °C |
| Max pressure at stated temp: | 16 bar / 90 °C |
| Type of connection: | Rp |
| Size of inlet connection: | 1 inch |
| Size of outlet connection: | 1 inch |
| Outlet position: | 12 |
| Connect code: | R |
| Liquid: | |
| Pumped liquid: | Water |
| Liquid temperature range: | -20 .. 90 °C |
| Selected liquid temperature: | 20 °C |
| Density: | 998.2 kg/m ³ |
| Electrical data: | |
| Motor standard: | IEC |
| Frame size: | 80B |
| Rated power - P2: | 0.9 kW |
| Mains frequency: | 50 Hz |
| Suitable for 50/60 Hz: | N |
| Rated voltage: | 1 x 220-240 V V |
| Service factor: | 1.00 |
| Rated current: | 5.4-5.0 A |
| Starting current: | 430-430 % |
| Rated speed: | 2750-2790 rpm |
| Enclosure class (IEC 34-5): | IP55 |
| Insulation class (IEC 85): | F |
| Built-in motor protection: | PTO |
| Cable included (Yes/No): | N |
| Controls: | |
| Frequency converter: | NONE |
| Others: | |
| Terminal box position: | 12 |
| Minimum efficiency index, MEI ≥: | 0.68 |
| Net weight: | 17.6 kg |
| Gross weight: | 20.1 kg |
| Country of origin: | TW |



Pumped liquid = Water
Liquid temperature during operation = 20 °C
Density = 998.2 kg/m³

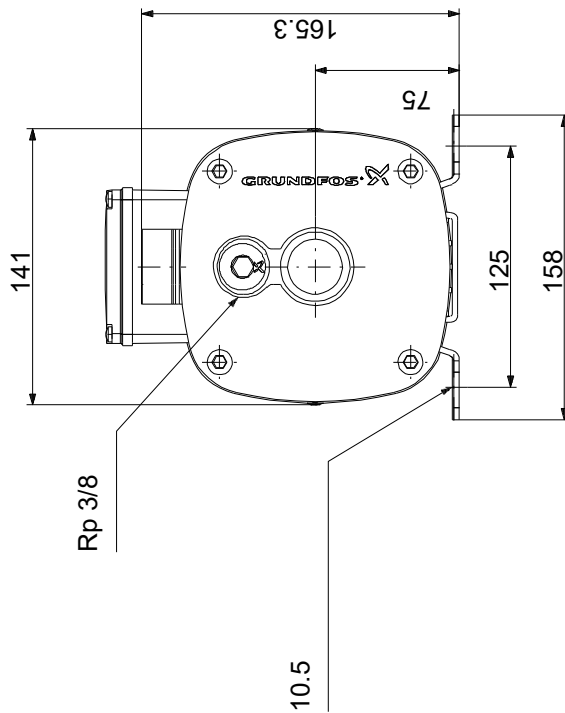
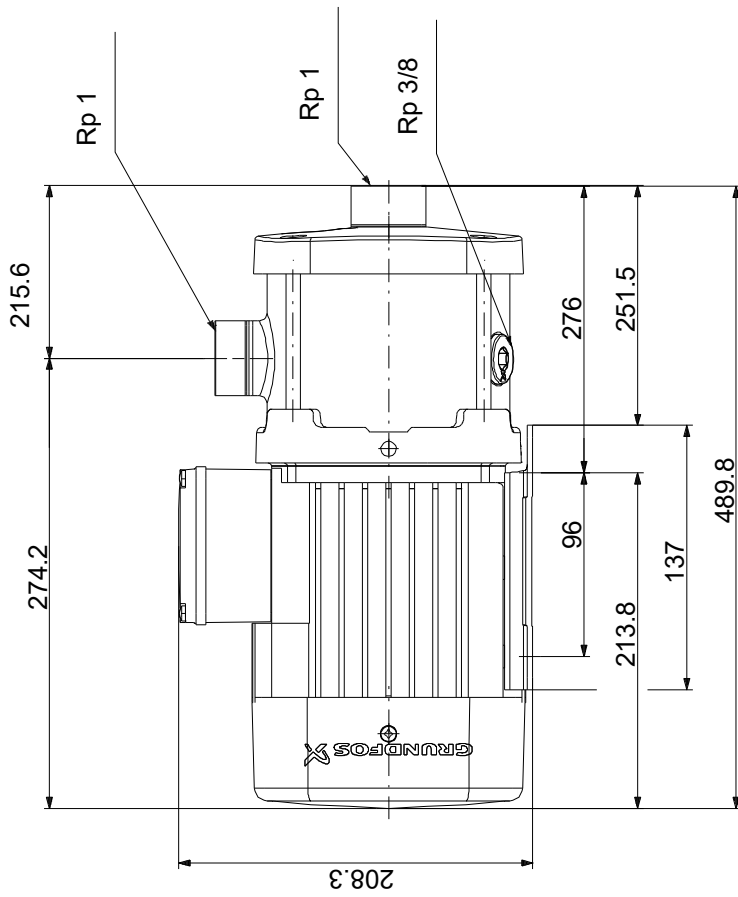


Description**Value**

Custom tariff no.:

84137042

On request CM 1-11 A-R-G-V-AQQV C-A-A-N 50 Hz



Note! All units are in [mm] unless others are stated.
 Disclaimer: This simplified dimensional drawing does not show all details.