
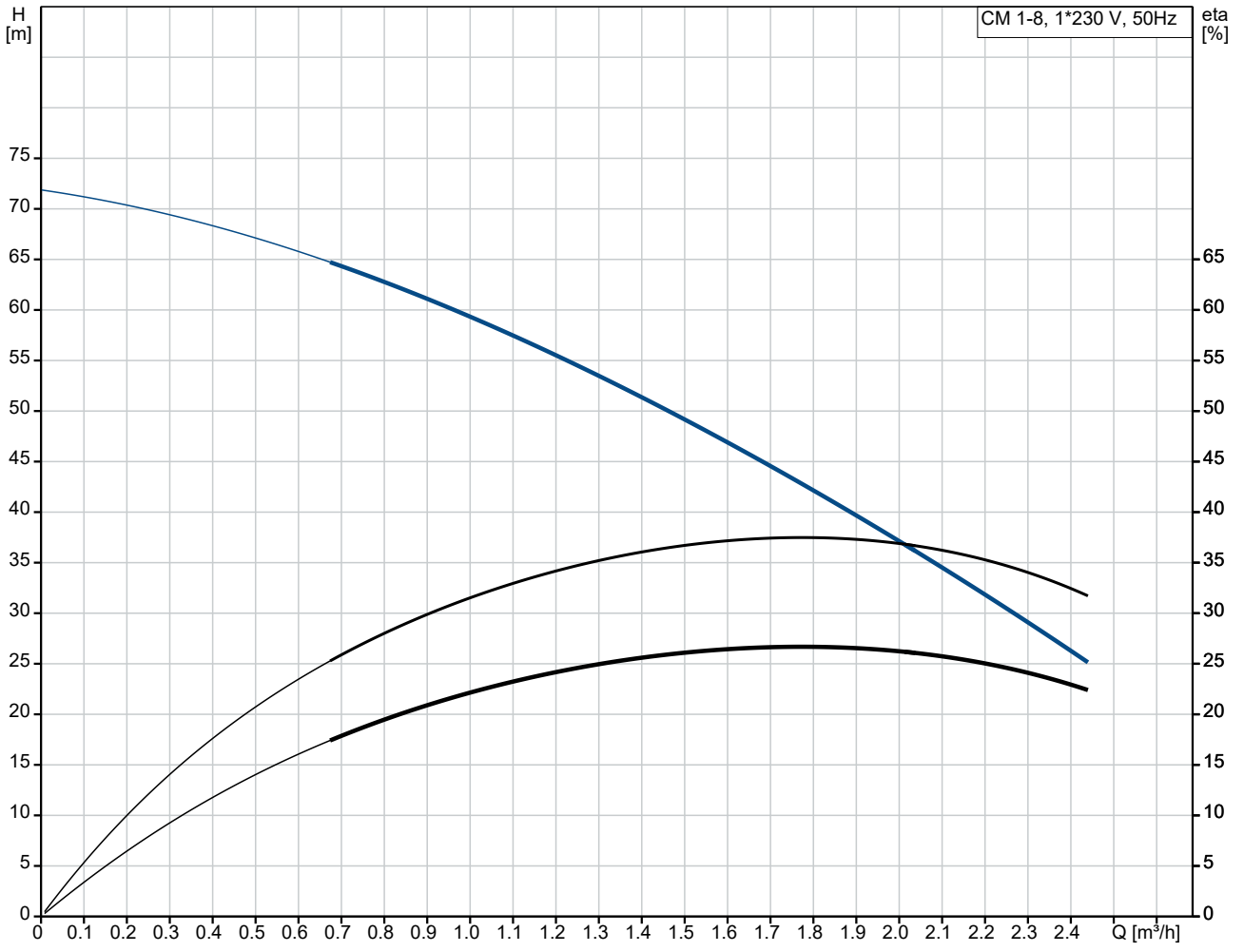


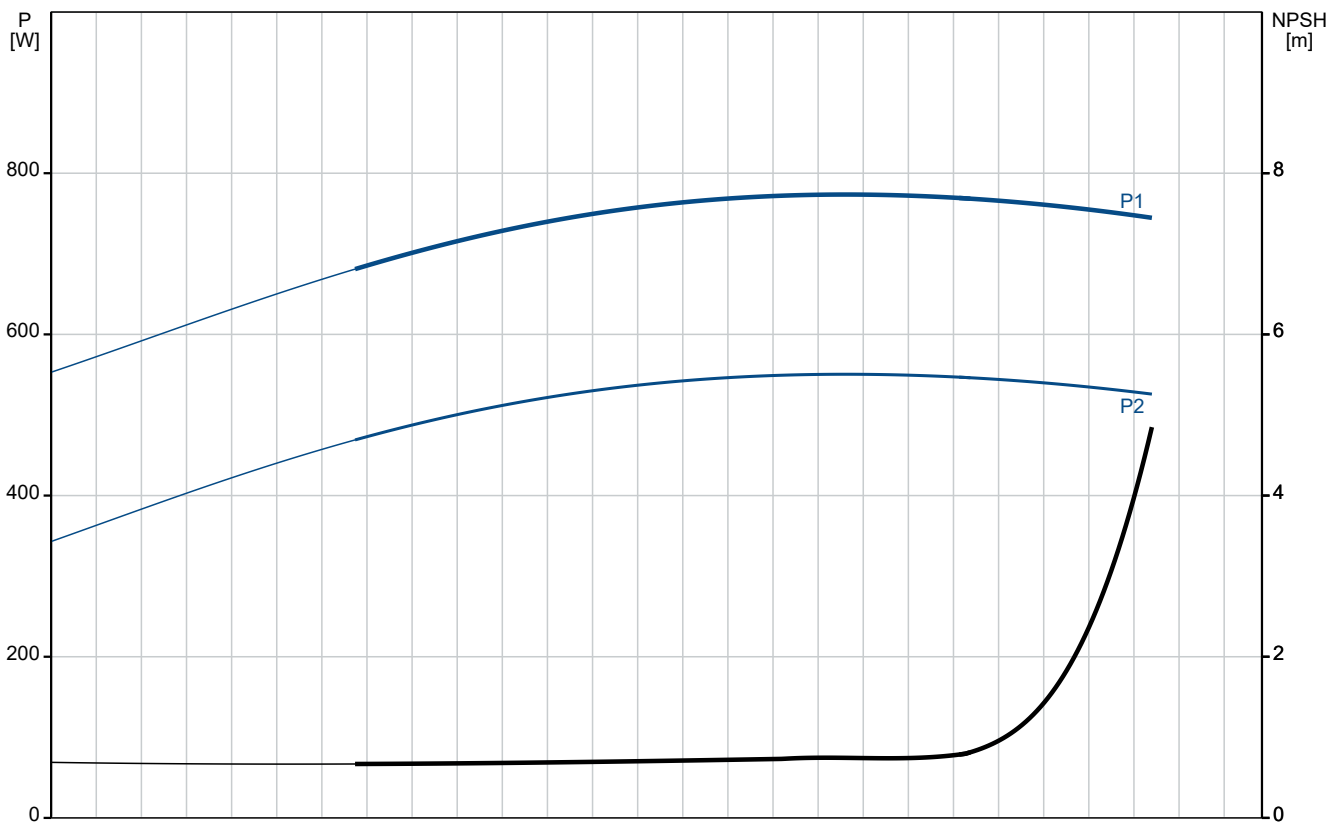
Qty.	Description
1	<p data-bbox="201 159 564 188"><b>CM 1-8 A-R-G-V-AQQV C-A-A-N</b></p>  <p data-bbox="592 506 1062 530" style="text-align: center;"><b>Note! Product picture may differ from actual product</b></p> <p data-bbox="201 539 480 564">Product No.: On request</p> <p data-bbox="201 600 1457 674">Compact, reliable, horizontal, multistage, end-suction centrifugal pump with axial suction port and radial discharge port. Pump materials in contact with the liquid are in high-grade stainless steel. The mechanical shaft seal is a special designed, unbalanced O-ring seal. Pipework connection is via internal Whitworth pipe threads, Rp (ISO 7/1).</p> <p data-bbox="201 710 1070 734">The pump is fitted with a 1-phase, foot-mounted, fan-cooled asynchronous motor.</p> <p data-bbox="201 770 300 795"><b>Controls:</b></p> <p data-bbox="201 797 636 824">Frequency converter:                    NONE</p> <p data-bbox="201 860 276 884"><b>Liquid:</b></p> <p data-bbox="201 887 633 913">Pumped liquid:                            Water</p> <p data-bbox="201 916 691 943">Liquid temperature range:            -20 .. 90 °C</p> <p data-bbox="201 945 628 972">Selected liquid temperature:        20 °C</p> <p data-bbox="201 974 695 1001">Density:                                     998.2 kg/m<sup>3</sup></p> <p data-bbox="201 1037 314 1061"><b>Technical:</b></p> <p data-bbox="201 1064 820 1090">Pump speed on which pump data are based:    2900 rpm</p> <p data-bbox="201 1093 655 1120">Rated flow:                                1.7 m<sup>3</sup>/h</p> <p data-bbox="201 1122 655 1149">Rated head:                                50.39 m</p> <p data-bbox="201 1151 636 1178">Code for shaft seal:                    AQQV</p> <p data-bbox="201 1180 732 1207">Approvals:                                CE,EAC,UKCA</p> <p data-bbox="201 1209 753 1236">Approvals for drinking water:        WRAS,ACS,UBA</p> <p data-bbox="201 1238 759 1265">Curve tolerance:                        ISO9906:2012 3B</p> <p data-bbox="201 1301 308 1326"><b>Materials:</b></p> <p data-bbox="201 1328 724 1420">Pump housing:                            Stainless steel EN 1.4401 AISI 316</p> <p data-bbox="201 1422 724 1514">Impeller:                                 Stainless steel EN 1.4401 AISI 316</p> <p data-bbox="201 1550 325 1574"><b>Installation:</b></p> <p data-bbox="201 1576 691 1603">Range of ambient temperature:       -20 .. 55 °C</p> <p data-bbox="201 1606 636 1632">Maximum operating pressure:        16 bar</p> <p data-bbox="201 1635 718 1688">Max pressure at stated temp:        16 bar / 90 °C 16 bar / 90 °C</p> <p data-bbox="201 1691 596 1718">Type of connection:                    Rp</p> <p data-bbox="201 1720 633 1747">Size of inlet connection:              1 inch</p> <p data-bbox="201 1749 633 1776">Size of outlet connection:            1 inch</p> <p data-bbox="201 1778 596 1805">Outlet position:                         12</p> <p data-bbox="201 1841 363 1865"><b>Electrical data:</b></p> <p data-bbox="201 1868 608 1895">Motor standard:                         IEC</p> <p data-bbox="201 1897 608 1924">Frame size:                                80A</p> <p data-bbox="201 1926 655 1953">Rated power - P2:                       0.67 kW</p> <p data-bbox="201 1955 633 1982">Mains frequency:                        50 Hz</p> <p data-bbox="201 1984 584 2011">Suitable for 50/60 Hz:                 N</p> <p data-bbox="201 2013 740 2040">Rated voltage:                            1 x 220-240 V V</p> <p data-bbox="201 2042 616 2069">Service factor:                          1.00</p> <p data-bbox="201 2072 667 2098">Rated current:                            4.4-4.0 A</p>

Qty.	Description
1	<p>Starting current: 390-390 %  Rated speed: 2720-2800 rpm  Enclosure class (IEC 34-5): IP55  Insulation class (IEC 85): F  Built-in motor protection: PTO  Cable included (Yes/No): N</p> <p>Others:  Terminal box position: 12  Minimum efficiency index, MEI ≥: 0.68  Net weight: 15.8 kg  Gross weight: 18.3 kg  Country of origin: TW  Custom tariff no.: 84137042</p>

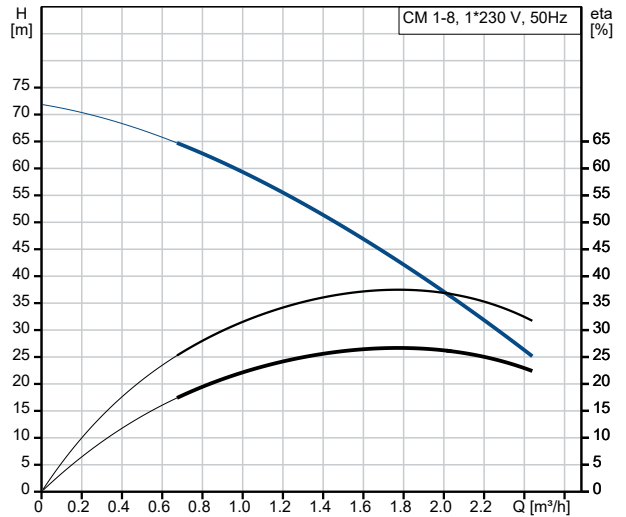
# On request CM 1-8 A-R-G-V-AQQV C-A-A-N 50 Hz



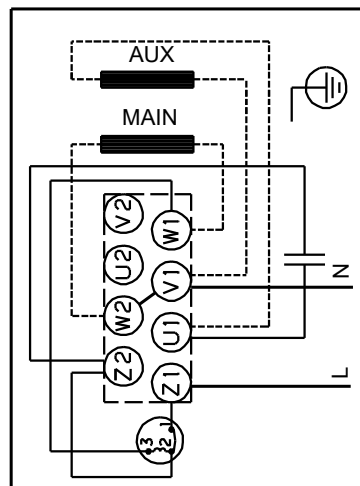
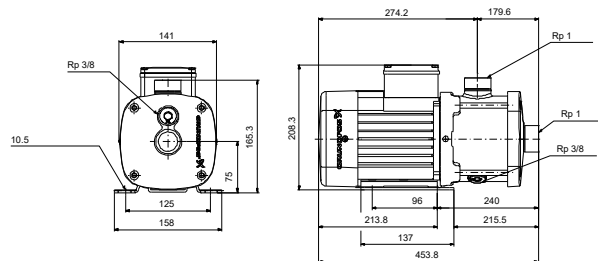
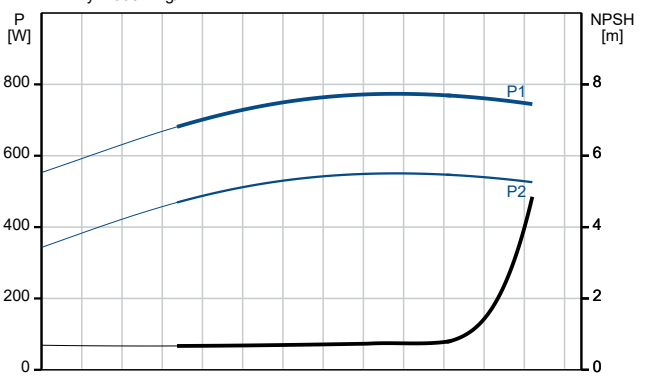
Pumped liquid = Water  
 Liquid temperature during operation = 20 °C  
 Density = 998.2 kg/m³



Description	Value
<b>General information:</b>	
Product name:	CM 1-8 A-R-G-V-AQQV C-A-A-N
Product No:	On request
EAN number:	On request
<b>Technical:</b>	
Pump speed on which pump data are based:	2900 rpm
Rated flow:	1.7 m <sup>3</sup> /h
Rated head:	50.39 m
Impellers:	8
Code for shaft seal:	AQQV
Approvals:	CE,EAC,UKCA
Approvals for drinking water:	WRAS,ACS,UBA
Curve tolerance:	ISO9906:2012 3B
Pump version:	A
Model:	A
<b>Materials:</b>	
Pump housing:	Stainless steel
Pump housing:	EN 1.4401
Pump housing:	AISI 316
Impeller:	Stainless steel
Impeller:	EN 1.4401
Impeller:	AISI 316
Material code:	G
Code for rubber:	V
<b>Installation:</b>	
Range of ambient temperature:	-20 .. 55 °C
Maximum operating pressure:	16 bar
Max pressure at stated temp:	16 bar / 90 °C
Max pressure at stated temp:	16 bar / 90 °C
Type of connection:	Rp
Size of inlet connection:	1 inch
Size of outlet connection:	1 inch
Outlet position:	12
Connect code:	R
<b>Liquid:</b>	
Pumped liquid:	Water
Liquid temperature range:	-20 .. 90 °C
Selected liquid temperature:	20 °C
Density:	998.2 kg/m <sup>3</sup>
<b>Electrical data:</b>	
Motor standard:	IEC
Frame size:	80A
Rated power - P2:	0.67 kW
Mains frequency:	50 Hz
Suitable for 50/60 Hz:	N
Rated voltage:	1 x 220-240 V V
Service factor:	1.00
Rated current:	4.4-4.0 A
Starting current:	390-390 %
Rated speed:	2720-2800 rpm
Enclosure class (IEC 34-5):	IP55
Insulation class (IEC 85):	F
Built-in motor protection:	PTO
Cable included (Yes/No):	N
<b>Controls:</b>	
Frequency converter:	NONE
<b>Others:</b>	
Terminal box position:	12
Minimum efficiency index, MEI ≥:	0.68
Net weight:	15.8 kg
Gross weight:	18.3 kg
Country of origin:	TW



Pumped liquid = Water  
Liquid temperature during operation = 20 °C  
Density = 998.2 kg/m<sup>3</sup>

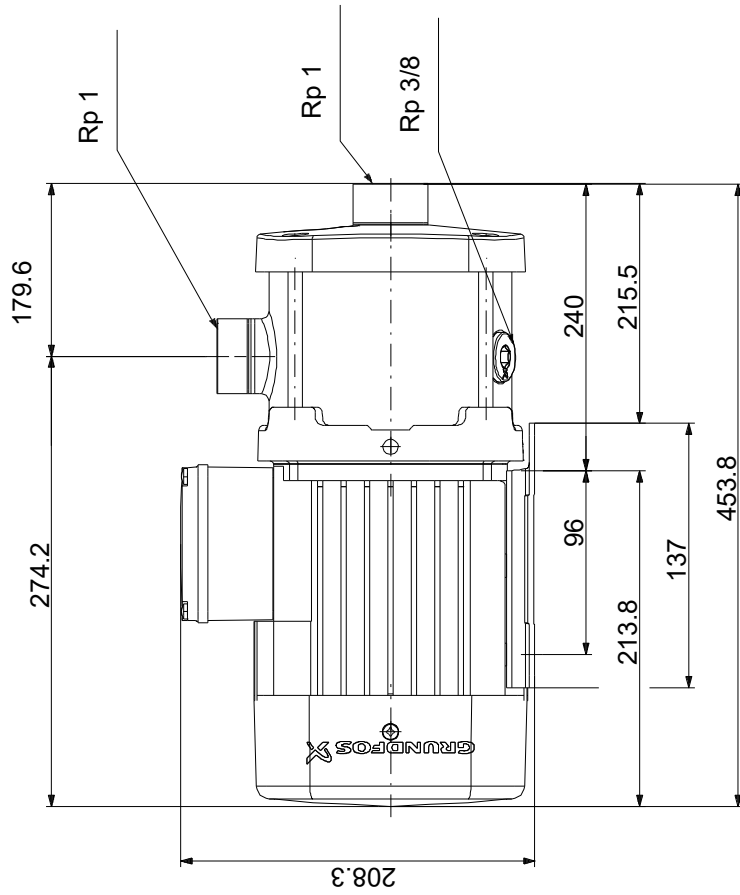


**Description****Value**

Custom tariff no.:

84137042

**On request CM 1-8 A-R-G-V-AQQV C-A-A-N 50 Hz**



Note! All units are in [mm] unless others are stated.  
 Disclaimer: This simplified dimensional drawing does not show all details.