
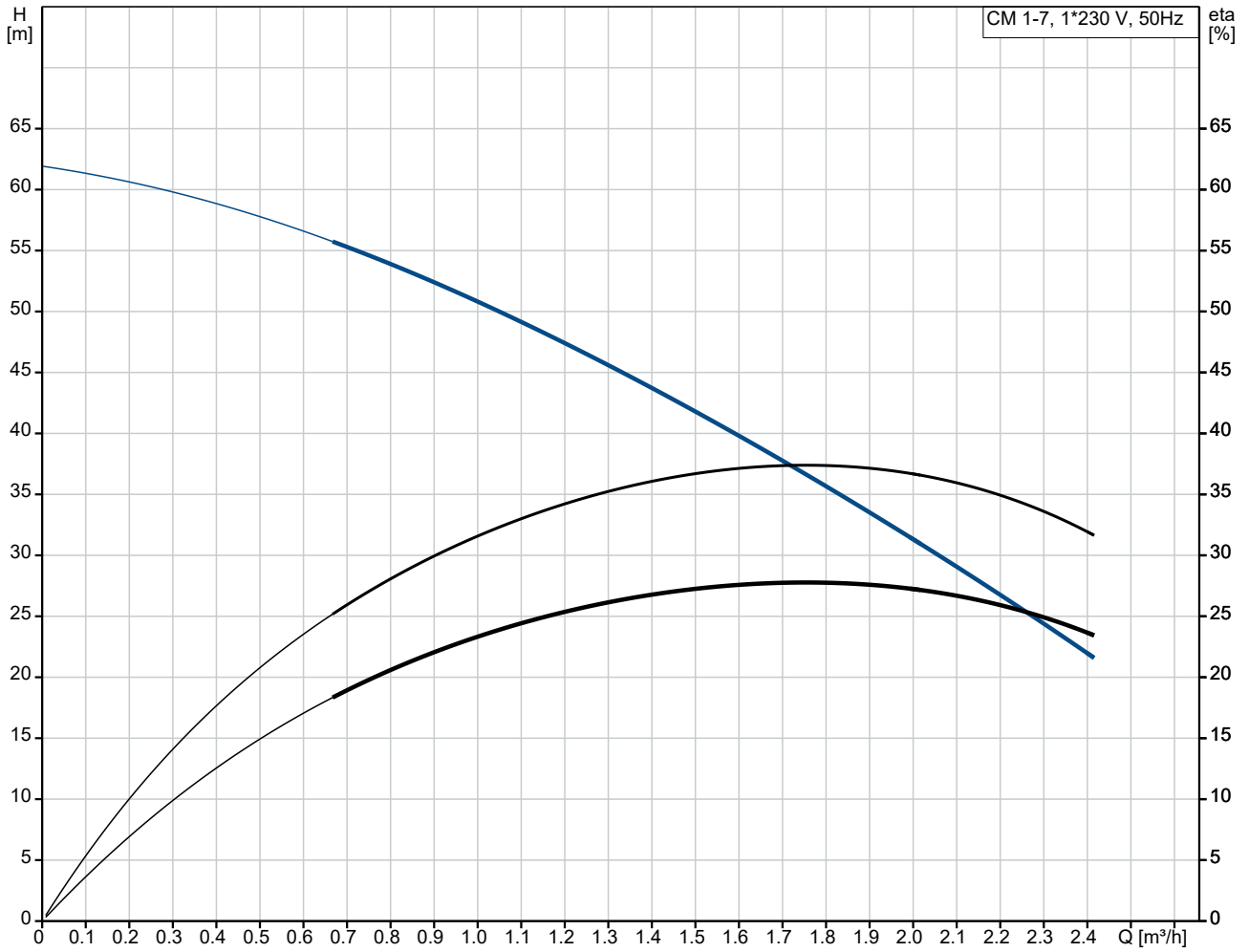


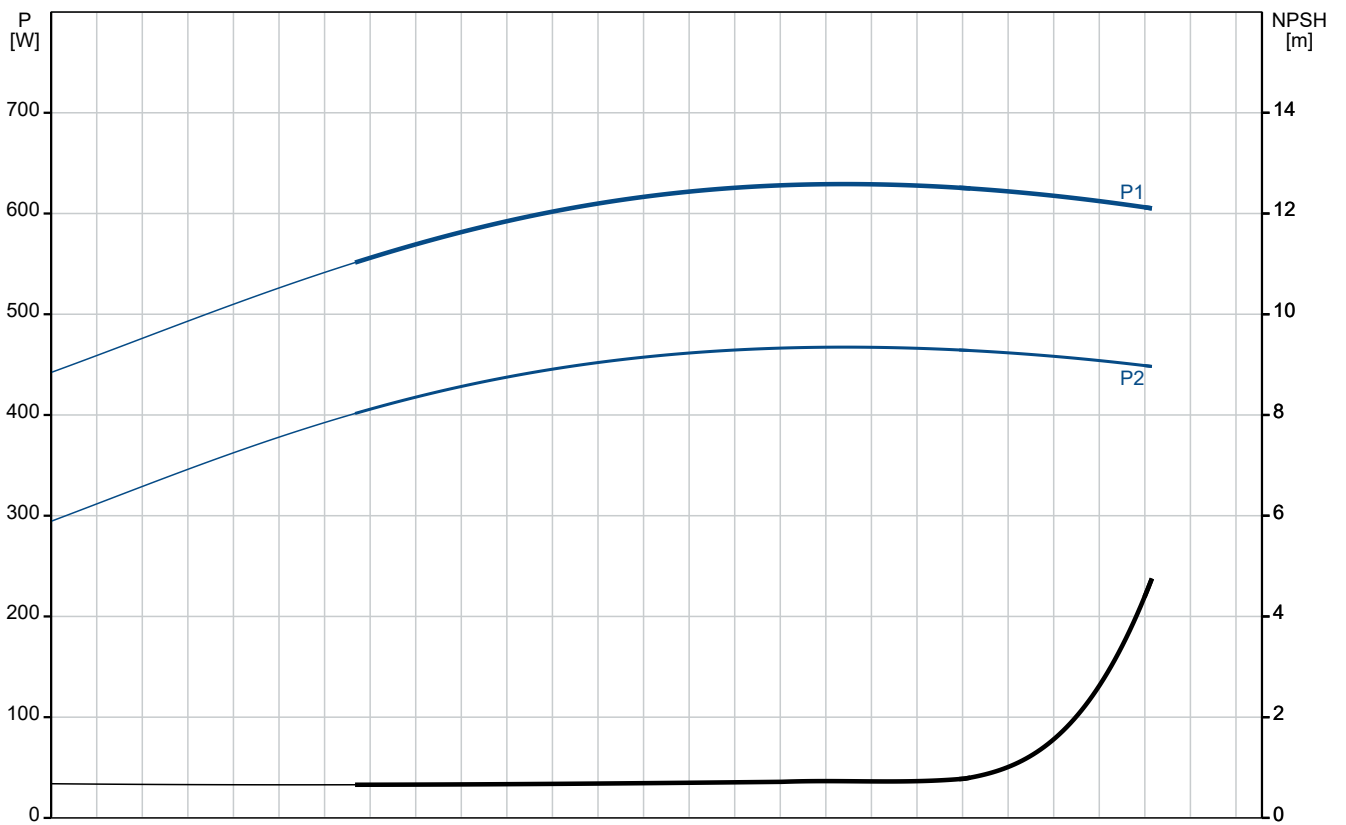
Qty.	Description
1	<p data-bbox="193 159 564 188"><b>CM 1-7 A-R-G-V-AQQV C-A-A-N</b></p>  <p data-bbox="592 510 1062 533" style="text-align: center;"><b>Note! Product picture may differ from actual product</b></p> <p data-bbox="193 539 480 568">Product No.: On request</p> <p data-bbox="193 600 1458 678">Compact, reliable, horizontal, multistage, end-suction centrifugal pump with axial suction port and radial discharge port. Pump materials in contact with the liquid are in high-grade stainless steel. The mechanical shaft seal is a special designed, unbalanced O-ring seal. Pipework connection is via internal Whitworth pipe threads, Rp (ISO 7/1).</p> <p data-bbox="193 710 1070 739">The pump is fitted with a 1-phase, foot-mounted, fan-cooled asynchronous motor.</p> <p data-bbox="193 770 300 799"><b>Controls:</b></p> <p data-bbox="193 799 636 828">Frequency converter:                   NONE</p> <p data-bbox="193 860 276 889"><b>Liquid:</b></p> <p data-bbox="193 889 633 918">Pumped liquid:                           Water</p> <p data-bbox="193 918 691 947">Liquid temperature range:           -20 .. 90 °C</p> <p data-bbox="193 947 628 976">Selected liquid temperature:       20 °C</p> <p data-bbox="193 976 695 1005">Density:                                   998.2 kg/m<sup>3</sup></p> <p data-bbox="193 1037 316 1066"><b>Technical:</b></p> <p data-bbox="193 1066 820 1095">Pump speed on which pump data are based:   2900 rpm</p> <p data-bbox="193 1095 655 1124">Rated flow:                               1.7 m<sup>3</sup>/h</p> <p data-bbox="193 1124 655 1153">Rated head:                               44.08 m</p> <p data-bbox="193 1153 636 1182">Code for shaft seal:                   AQQV</p> <p data-bbox="193 1182 732 1211">Approvals:                               CE,EAC,UKCA</p> <p data-bbox="193 1211 754 1240">Approvals for drinking water:       WRAS,ACS,UBA</p> <p data-bbox="193 1240 759 1270">Curve tolerance:                       ISO9906:2012 3B</p> <p data-bbox="193 1301 309 1330"><b>Materials:</b></p> <p data-bbox="193 1330 724 1420">Pump housing:                           Stainless steel EN 1.4401 AISI 316</p> <p data-bbox="193 1420 724 1509">Impeller:                                 Stainless steel EN 1.4401 AISI 316</p> <p data-bbox="193 1541 325 1570"><b>Installation:</b></p> <p data-bbox="193 1570 691 1599">Range of ambient temperature:   -20 .. 55 °C</p> <p data-bbox="193 1599 636 1628">Maximum operating pressure:       16 bar</p> <p data-bbox="193 1628 718 1688">Max pressure at stated temp:       16 bar / 90 °C 16 bar / 90 °C</p> <p data-bbox="193 1688 596 1718">Type of connection:                   Rp</p> <p data-bbox="193 1718 633 1747">Size of inlet connection:           1 inch</p> <p data-bbox="193 1747 633 1776">Size of outlet connection:          1 inch</p> <p data-bbox="193 1776 596 1805">Outlet position:                       12</p> <p data-bbox="193 1836 363 1865"><b>Electrical data:</b></p> <p data-bbox="193 1865 608 1895">Motor standard:                       IEC</p> <p data-bbox="193 1895 608 1924">Frame size:                             71B</p> <p data-bbox="193 1924 643 1953">Rated power - P2:                    0.5 kW</p> <p data-bbox="193 1953 633 1982">Mains frequency:                    50 Hz</p> <p data-bbox="193 1982 584 2011">Suitable for 50/60 Hz:               N</p> <p data-bbox="193 2011 740 2040">Rated voltage:                         1 x 220-240 V V</p> <p data-bbox="193 2040 616 2069">Service factor:                       1.00</p> <p data-bbox="193 2069 667 2098">Rated current:                         3.1-2.8 A</p>

Qty.	Description
1	<p>Starting current: 530-530 %  Rated speed: 2730-2740 rpm  Enclosure class (IEC 34-5): IP55  Insulation class (IEC 85): F  Built-in motor protection: PTO  Cable included (Yes/No): N</p> <p>Others:  Terminal box position: 12  Minimum efficiency index, MEI ≥: 0.68  Net weight: 13.8 kg  Gross weight: 16.3 kg  Country of origin: TW  Custom tariff no.: 84137042</p>

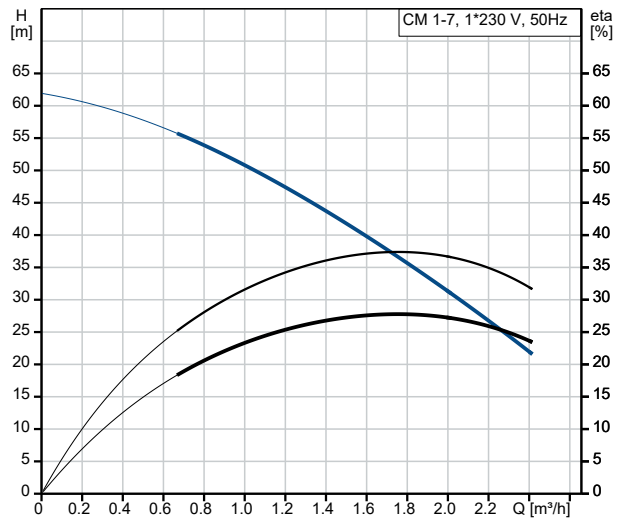
# On request CM 1-7 A-R-G-V-AQQV C-A-A-N 50 Hz



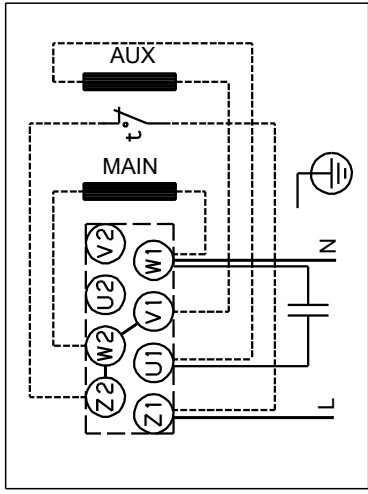
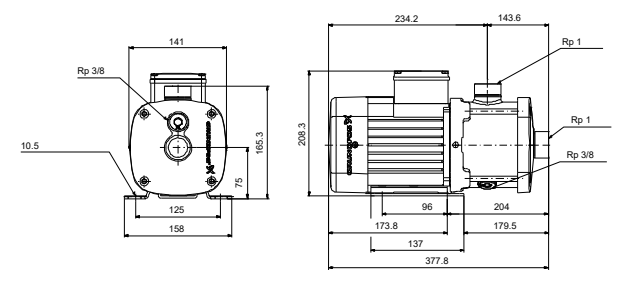
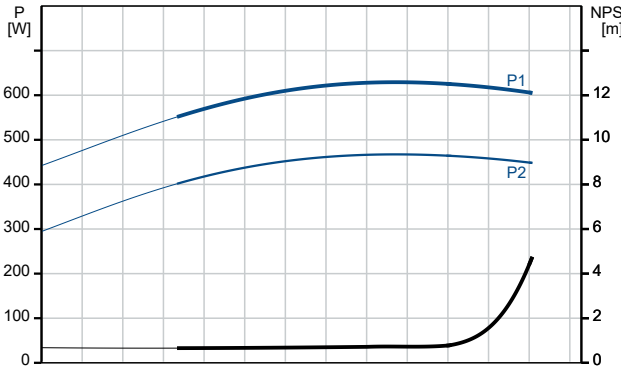
Pumped liquid = Water  
 Liquid temperature during operation = 20 °C  
 Density = 998.2 kg/m³



Description	Value
<b>General information:</b>	
Product name:	CM 1-7 A-R-G-V-AQQV C-A-A-N
Product No:	On request
EAN number:	On request
<b>Technical:</b>	
Pump speed on which pump data are based:	2900 rpm
Rated flow:	1.7 m <sup>3</sup> /h
Rated head:	44.08 m
Impellers:	7
Code for shaft seal:	AQQV
Approvals:	CE,EAC,UKCA
Approvals for drinking water:	WRAS,ACS,UBA
Curve tolerance:	ISO9906:2012 3B
Pump version:	A
Model:	A
<b>Materials:</b>	
Pump housing:	Stainless steel
Pump housing:	EN 1.4401
Pump housing:	AISI 316
Impeller:	Stainless steel
Impeller:	EN 1.4401
Impeller:	AISI 316
Material code:	G
Code for rubber:	V
<b>Installation:</b>	
Range of ambient temperature:	-20 .. 55 °C
Maximum operating pressure:	16 bar
Max pressure at stated temp:	16 bar / 90 °C
Max pressure at stated temp:	16 bar / 90 °C
Type of connection:	Rp
Size of inlet connection:	1 inch
Size of outlet connection:	1 inch
Outlet position:	12
Connect code:	R
<b>Liquid:</b>	
Pumped liquid:	Water
Liquid temperature range:	-20 .. 90 °C
Selected liquid temperature:	20 °C
Density:	998.2 kg/m <sup>3</sup>
<b>Electrical data:</b>	
Motor standard:	IEC
Frame size:	71B
Rated power - P2:	0.5 kW
Mains frequency:	50 Hz
Suitable for 50/60 Hz:	N
Rated voltage:	1 x 220-240 V V
Service factor:	1.00
Rated current:	3.1-2.8 A
Starting current:	530-530 %
Rated speed:	2730-2740 rpm
Enclosure class (IEC 34-5):	IP55
Insulation class (IEC 85):	F
Built-in motor protection:	PTO
Cable included (Yes/No):	N
<b>Controls:</b>	
Frequency converter:	NONE
<b>Others:</b>	
Terminal box position:	12
Minimum efficiency index, MEI ≥:	0.68
Net weight:	13.8 kg
Gross weight:	16.3 kg
Country of origin:	TW



Pumped liquid = Water  
Liquid temperature during operation = 20 °C  
Density = 998.2 kg/m<sup>3</sup>

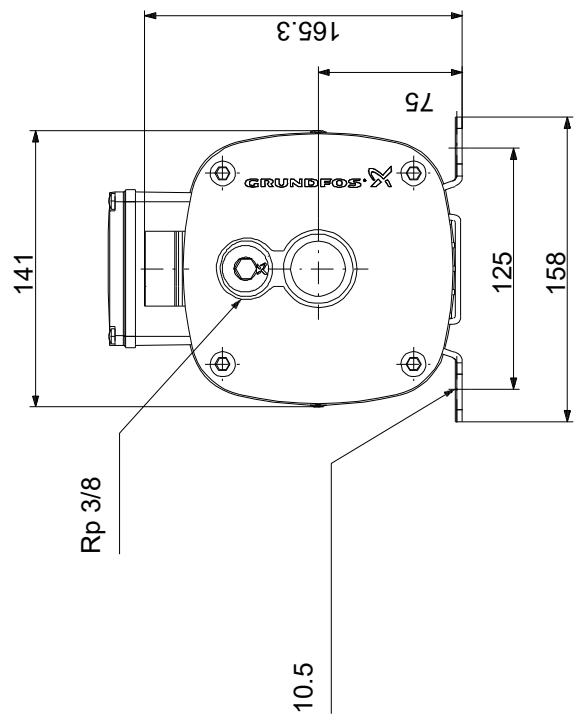
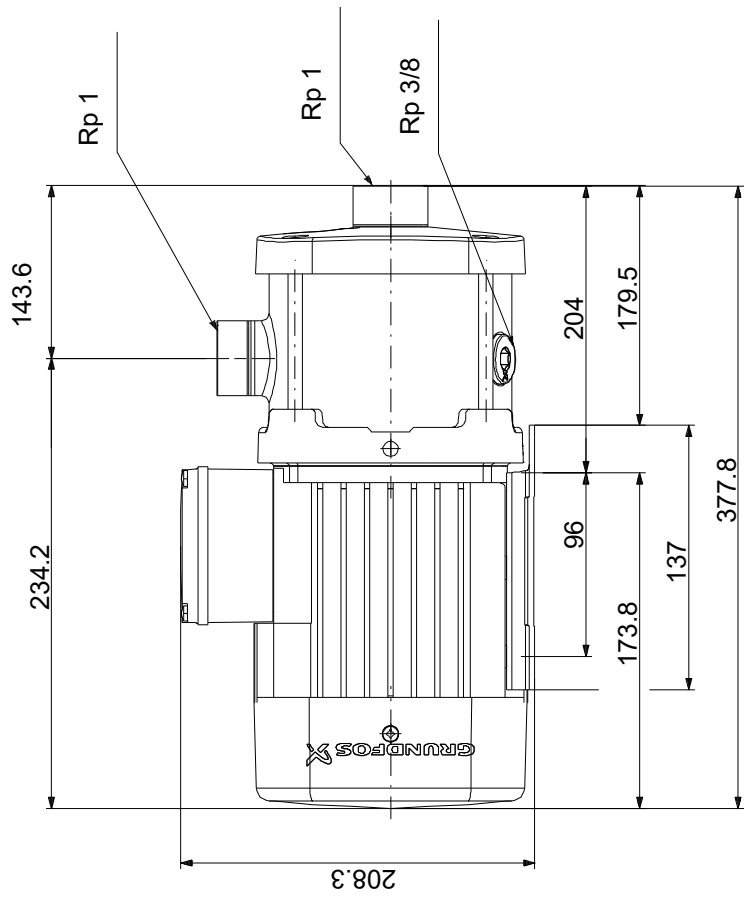


**Description****Value**

Custom tariff no.:

84137042

**On request CM 1-7 A-R-G-V-AQQV C-A-A-N 50 Hz**



Note! All units are in [mm] unless others are stated.  
 Disclaimer: This simplified dimensional drawing does not show all details.