
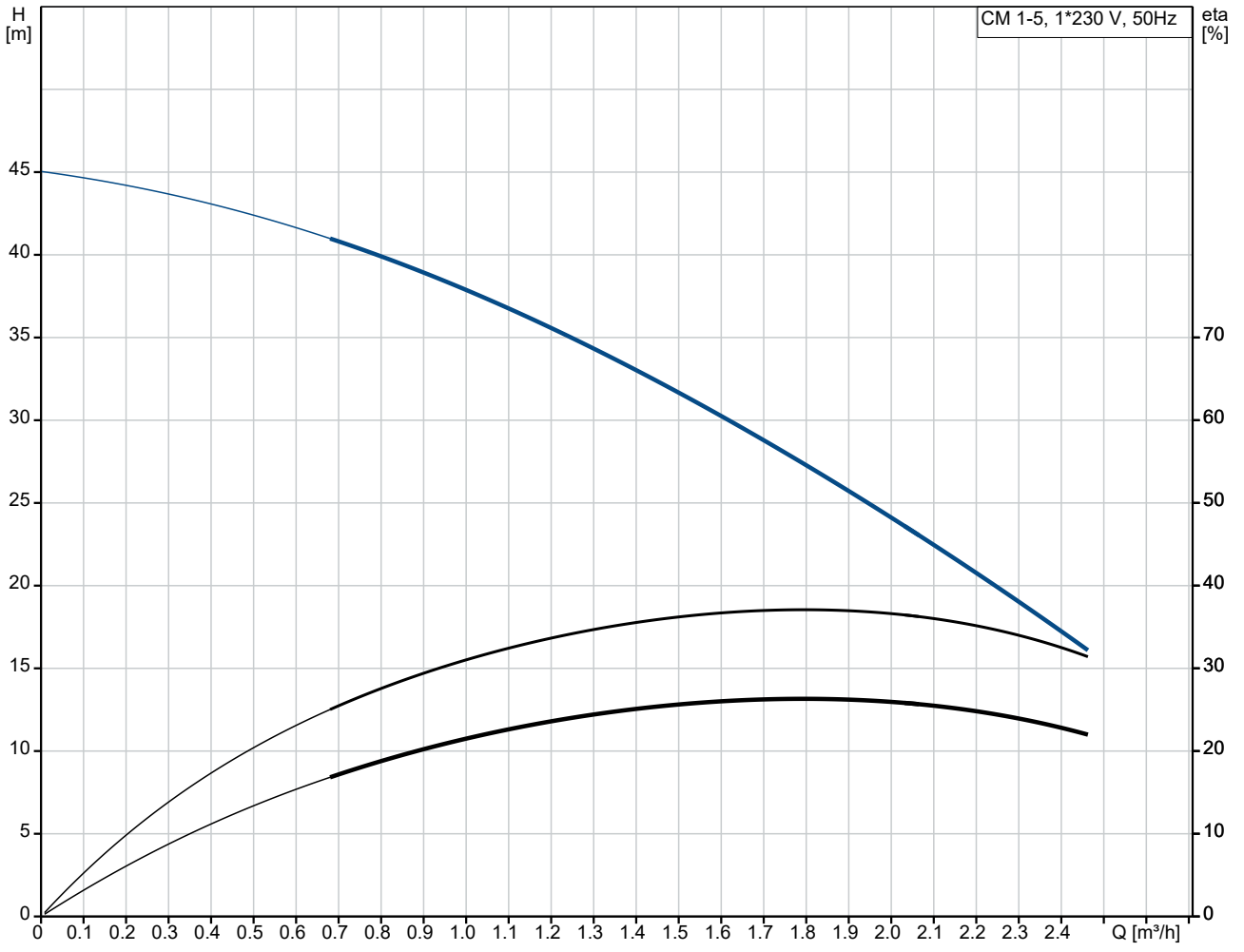


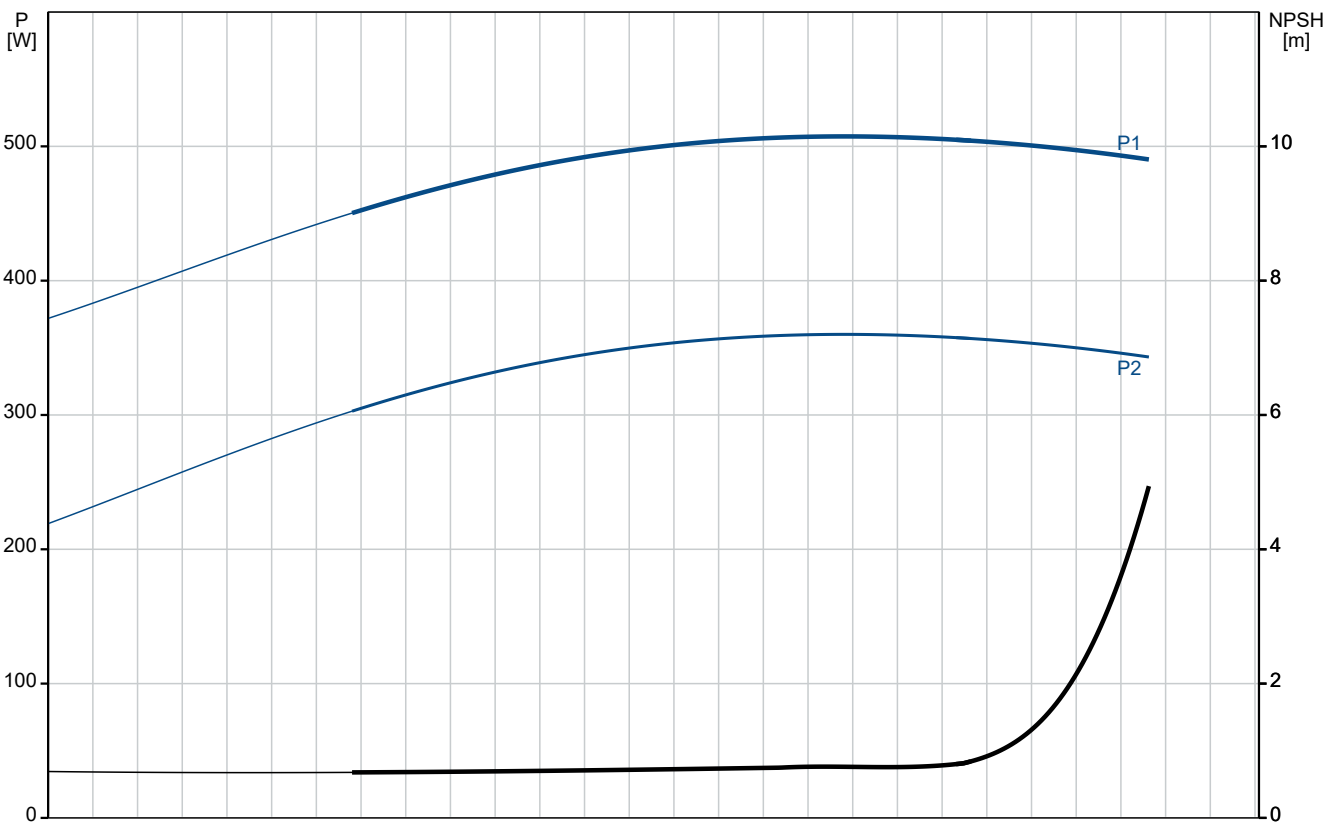
| Qty. | Description |
|------|--|
| 1 | <p data-bbox="196 159 564 188">CM 1-5 A-R-G-V-AQQV C-A-A-N</p>  <p data-bbox="592 506 1062 530" style="text-align: center;">Note! Product picture may differ from actual product</p> <p data-bbox="196 539 480 564">Product No.: On request</p> <p data-bbox="196 600 1461 674">Compact, reliable, horizontal, multistage, end-suction centrifugal pump with axial suction port and radial discharge port. Pump materials in contact with the liquid are in high-grade stainless steel. The mechanical shaft seal is a special designed, unbalanced O-ring seal. Pipework connection is via internal Whitworth pipe threads, Rp (ISO 7/1).</p> <p data-bbox="196 710 1070 734">The pump is fitted with a 1-phase, foot-mounted, fan-cooled asynchronous motor.</p> <p data-bbox="196 770 300 795">Controls:</p> <p data-bbox="196 797 636 822">Frequency converter: NONE</p> <p data-bbox="196 857 276 882">Liquid:</p> <p data-bbox="196 884 633 909">Pumped liquid: Water</p> <p data-bbox="196 911 691 936">Liquid temperature range: -20 .. 90 °C</p> <p data-bbox="196 938 628 963">Selected liquid temperature: 20 °C</p> <p data-bbox="196 965 695 990">Density: 998.2 kg/m³</p> <p data-bbox="196 1025 316 1050">Technical:</p> <p data-bbox="196 1052 820 1077">Pump speed on which pump data are based: 2900 rpm</p> <p data-bbox="196 1079 655 1104">Rated flow: 1.7 m³/h</p> <p data-bbox="196 1106 655 1131">Rated head: 31.45 m</p> <p data-bbox="196 1133 639 1158">Code for shaft seal: AQQV</p> <p data-bbox="196 1160 732 1184">Approvals: CE,EAC,UKCA</p> <p data-bbox="196 1187 754 1211">Approvals for drinking water: WRAS,ACS,UBA</p> <p data-bbox="196 1214 759 1238">Curve tolerance: ISO9906:2012 3B</p> <p data-bbox="196 1274 309 1299">Materials:</p> <p data-bbox="196 1301 724 1375">Pump housing: Stainless steel EN 1.4401 AISI 316</p> <p data-bbox="196 1388 724 1462">Impeller: Stainless steel EN 1.4401 AISI 316</p> <p data-bbox="196 1498 325 1523">Installation:</p> <p data-bbox="196 1525 691 1550">Range of ambient temperature: -20 .. 55 °C</p> <p data-bbox="196 1552 639 1576">Maximum operating pressure: 16 bar</p> <p data-bbox="196 1579 718 1653">Max pressure at stated temp: 16 bar / 90 °C 16 bar / 90 °C</p> <p data-bbox="196 1666 596 1691">Type of connection: Rp</p> <p data-bbox="196 1693 633 1718">Size of inlet connection: 1 inch</p> <p data-bbox="196 1720 633 1744">Size of outlet connection: 1 inch</p> <p data-bbox="196 1747 596 1771">Outlet position: 12</p> <p data-bbox="196 1807 363 1832">Electrical data:</p> <p data-bbox="196 1834 608 1859">Motor standard: IEC</p> <p data-bbox="196 1861 608 1886">Frame size: 71B</p> <p data-bbox="196 1888 643 1912">Rated power - P2: 0.5 kW</p> <p data-bbox="196 1915 633 1939">Mains frequency: 50 Hz</p> <p data-bbox="196 1942 584 1966">Suitable for 50/60 Hz: N</p> <p data-bbox="196 1968 740 1993">Rated voltage: 1 x 220-240 V V</p> <p data-bbox="196 1995 616 2020">Service factor: 1.00</p> <p data-bbox="196 2022 667 2047">Rated current: 3.1-2.8 A</p> |

| Qty. | Description |
|------|---|
| 1 | <p>Starting current: 530-530 % Rated speed: 2730-2740 rpm Enclosure class (IEC 34-5): IP55 Insulation class (IEC 85): F Built-in motor protection: PTO Cable included (Yes/No): N</p> <p>Others: Terminal box position: 12 Minimum efficiency index, MEI ≥: 0.68 Net weight: 13.1 kg Gross weight: 15.6 kg Country of origin: TW Custom tariff no.: 84137042</p> |

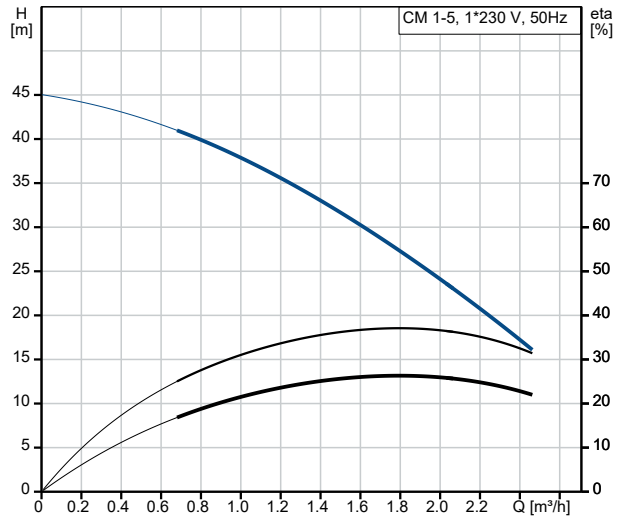
On request CM 1-5 A-R-G-V-AQQV C-A-A-N 50 Hz



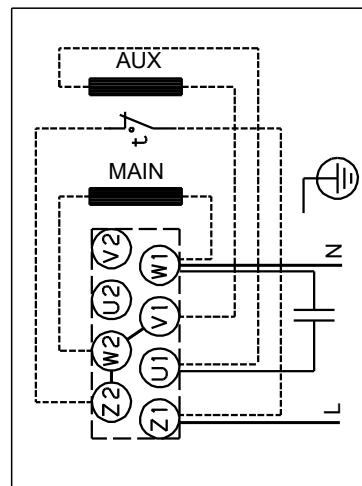
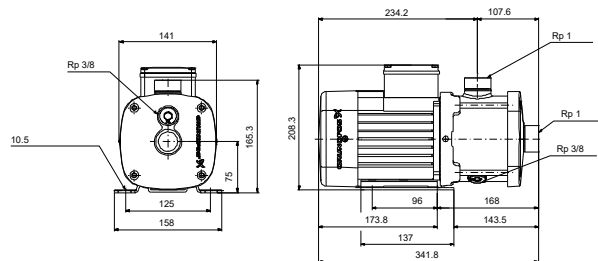
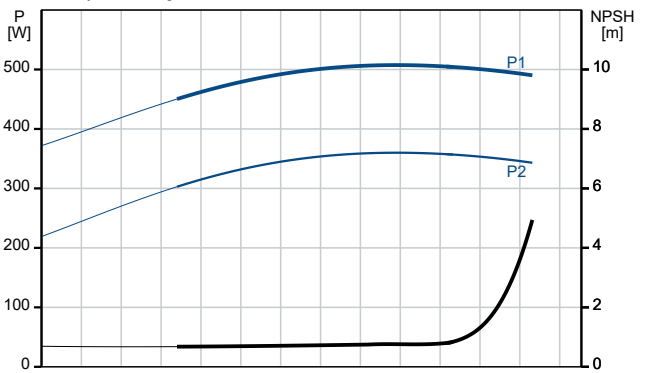
Pumped liquid = Water
 Liquid temperature during operation = 20 °C
 Density = 998.2 kg/m³



| Description | Value |
|--|--------------------------------|
| General information: | |
| Product name: | CM 1-5 A-R-G-V-AQQV C-A-A-N |
| Product No: | On request |
| EAN number: | On request |
| Technical: | |
| Pump speed on which pump data are based: | 2900 rpm |
| Rated flow: | 1.7 m ³ /h |
| Rated head: | 31.45 m |
| Impellers: | 5 |
| Code for shaft seal: | AQQV |
| Approvals: | CE,EAC,UKCA |
| Approvals for drinking water: | WRAS,ACS,UBA |
| Curve tolerance: | ISO9906:2012 3B |
| Pump version: | A |
| Model: | A |
| Materials: | |
| Pump housing: | Stainless steel |
| Pump housing: | EN 1.4401 |
| Pump housing: | AISI 316 |
| Impeller: | Stainless steel |
| Impeller: | EN 1.4401 |
| Impeller: | AISI 316 |
| Material code: | G |
| Code for rubber: | V |
| Installation: | |
| Range of ambient temperature: | -20 .. 55 °C |
| Maximum operating pressure: | 16 bar |
| Max pressure at stated temp: | 16 bar / 90 °C |
| Max pressure at stated temp: | 16 bar / 90 °C |
| Type of connection: | Rp |
| Size of inlet connection: | 1 inch |
| Size of outlet connection: | 1 inch |
| Outlet position: | 12 |
| Connect code: | R |
| Liquid: | |
| Pumped liquid: | Water |
| Liquid temperature range: | -20 .. 90 °C |
| Selected liquid temperature: | 20 °C |
| Density: | 998.2 kg/m ³ |
| Electrical data: | |
| Motor standard: | IEC |
| Frame size: | 71B |
| Rated power - P2: | 0.5 kW |
| Mains frequency: | 50 Hz |
| Suitable for 50/60 Hz: | N |
| Rated voltage: | 1 x 220-240 V V |
| Service factor: | 1.00 |
| Rated current: | 3.1-2.8 A |
| Starting current: | 530-530 % |
| Rated speed: | 2730-2740 rpm |
| Enclosure class (IEC 34-5): | IP55 |
| Insulation class (IEC 85): | F |
| Built-in motor protection: | PTO |
| Cable included (Yes/No): | N |
| Controls: | |
| Frequency converter: | NONE |
| Others: | |
| Terminal box position: | 12 |
| Minimum efficiency index, MEI ≥: | 0.68 |
| Net weight: | 13.1 kg |
| Gross weight: | 15.6 kg |
| Country of origin: | TW |



Pumped liquid = Water
Liquid temperature during operation = 20 °C
Density = 998.2 kg/m³

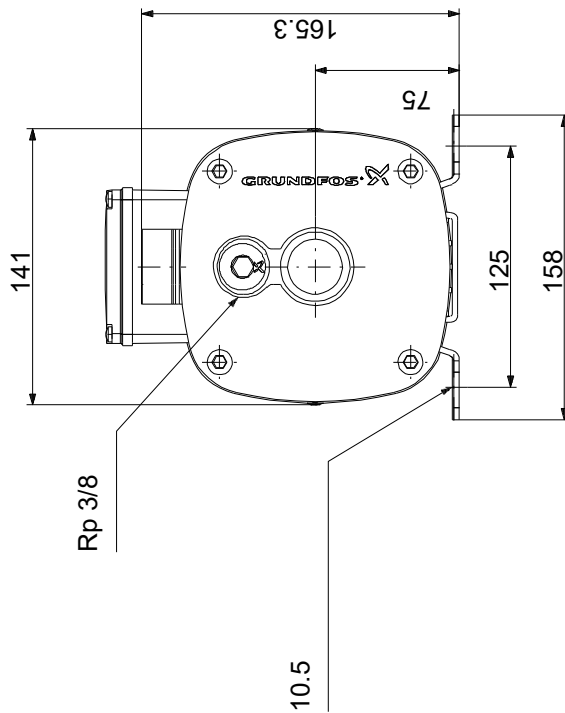
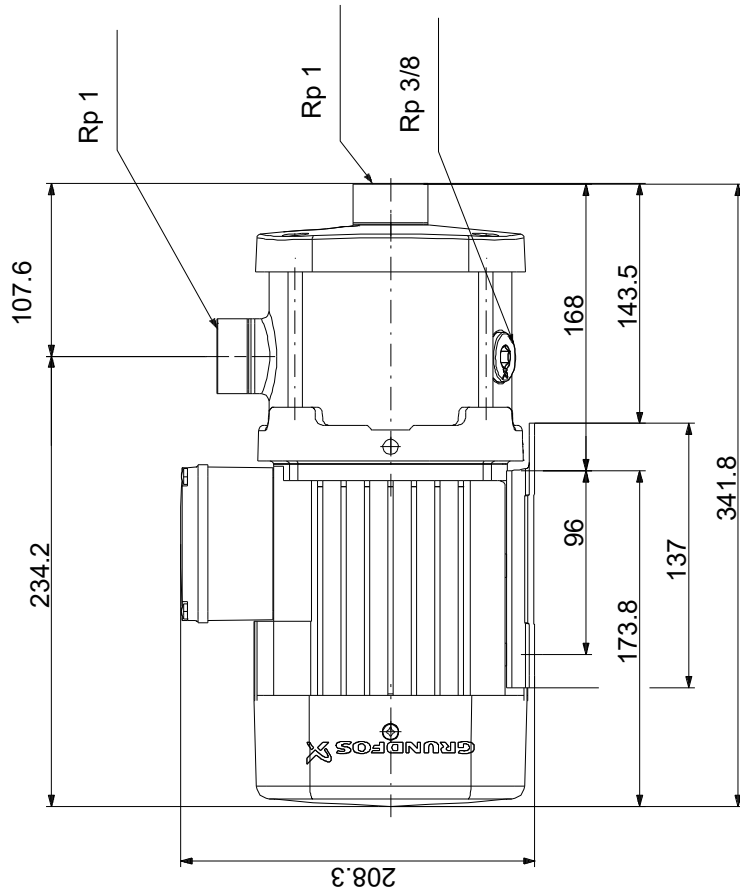


Description**Value**

Custom tariff no.:

84137042

On request CM 1-5 A-R-G-V-AQQV C-A-A-N 50 Hz



Note! All units are in [mm] unless others are stated.
 Disclaimer: This simplified dimensional drawing does not show all details.