
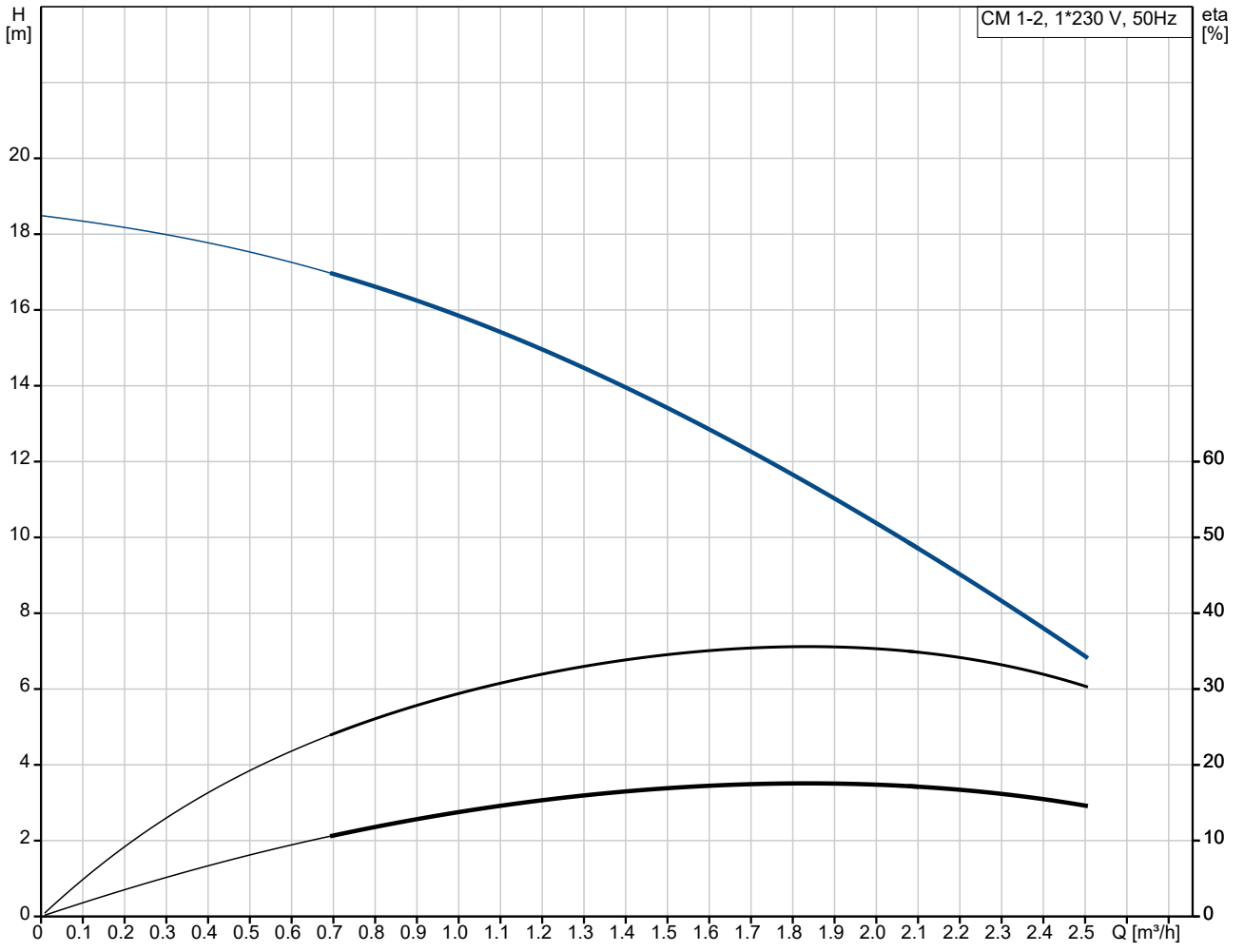


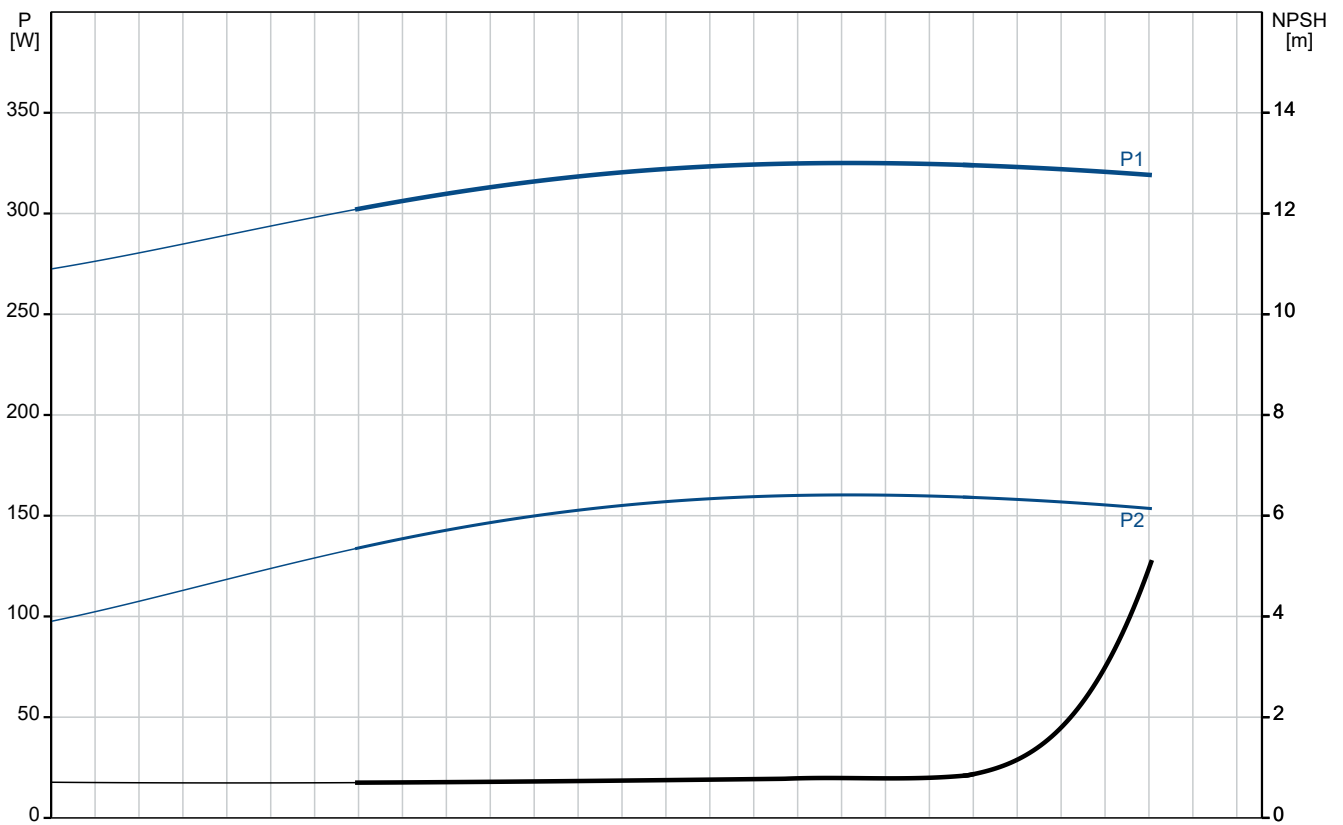
Qty.	Description
1	<b>CM 1-2 A-R-G-V-AQQV C-A-A-N</b>
	
	<b>Note! Product picture may differ from actual product</b>
	Product No.: On request
	<p>Compact, reliable, horizontal, multistage, end-suction centrifugal pump with axial suction port and radial discharge port. Pump materials in contact with the liquid are in high-grade stainless steel. The mechanical shaft seal is a special designed, unbalanced O-ring seal. Pipework connection is via internal Whitworth pipe threads, Rp (ISO 7/1).</p>
	<p>The pump is fitted with a 1-phase, foot-mounted, fan-cooled asynchronous motor.</p>
	<p>Controls:            Frequency converter:                 <b>NONE</b></p>
	<p>Liquid:            Pumped liquid:                         <b>Water</b>            Liquid temperature range:         <b>-20 .. 90 °C</b>            Selected liquid temperature:       <b>20 °C</b>            Density:                                 <b>998.2 kg/m<sup>3</sup></b></p>
	<p>Technical:            Pump speed on which pump data are based:   <b>2900 rpm</b>            Rated flow:                             <b>1.7 m<sup>3</sup>/h</b>            Rated head:                             <b>12.51 m</b>            Code for shaft seal:                 <b>AQQV</b>            Approvals:                             <b>CE,EAC,UKCA</b>            Approvals for drinking water:       <b>WRAS,ACS,UBA</b>            Curve tolerance:                     <b>ISO9906:2012 3B</b></p>
	<p>Materials:            Pump housing:                         <b>Stainless steel</b>              <b>EN 1.4401</b>              <b>AISI 316</b>            Impeller:                               <b>Stainless steel</b>              <b>EN 1.4401</b>              <b>AISI 316</b></p>
	<p>Installation:            Range of ambient temperature:   <b>-20 .. 55 °C</b>            Maximum operating pressure:     <b>16 bar</b>            Max pressure at stated temp:     <b>16 bar / 90 °C</b>              <b>16 bar / 90 °C</b></p>
	<p>Type of connection:                 <b>Rp</b>            Size of inlet connection:         <b>1 inch</b>            Size of outlet connection:        <b>1 inch</b>            Outlet position:                     <b>12</b></p>
	<p>Electrical data:            Motor standard:                     <b>IEC</b>            Frame size:                         <b>71A</b>            Rated power - P2:                 <b>0.3 kW</b>            Mains frequency:                 <b>50 Hz</b>            Suitable for 50/60 Hz:           <b>N</b>            Rated voltage:                     <b>1 x 220-240 V V</b>            Service factor:                    <b>1.00</b>            Rated current:                     <b>1.8-2.4 A</b></p>

Qty.	Description
1	<p>Starting current: 340-340 %  Rated speed: 2800-2830 rpm  Enclosure class (IEC 34-5): IP55  Insulation class (IEC 85): F  Built-in motor protection: PTO  Cable included (Yes/No): N</p> <p>Others:  Terminal box position: 12  Minimum efficiency index, MEI ≥: 0.68  Net weight: 11.6 kg  Gross weight: 14.1 kg  Country of origin: TW  Custom tariff no.: 84137042</p>

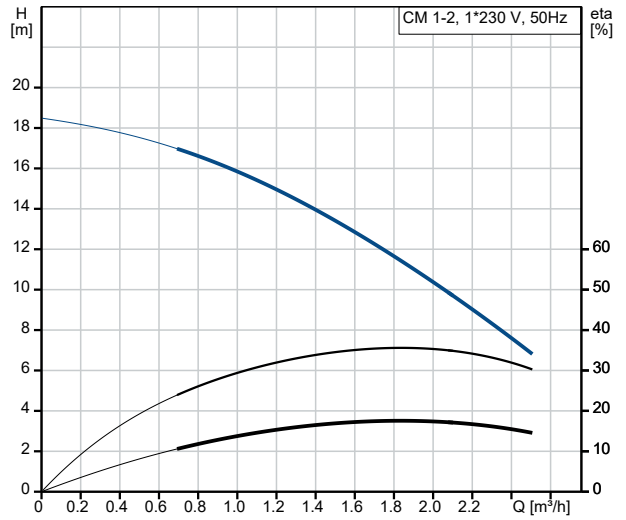
# On request CM 1-2 A-R-G-V-AQQV C-A-A-N 50 Hz



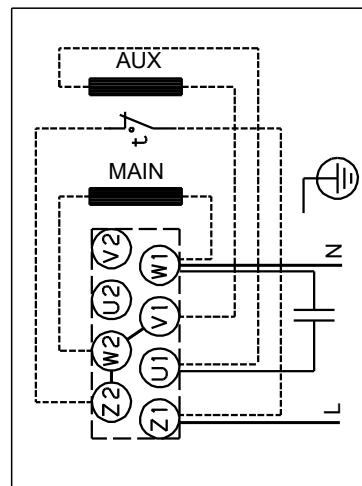
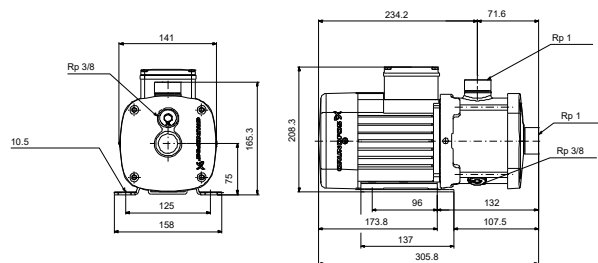
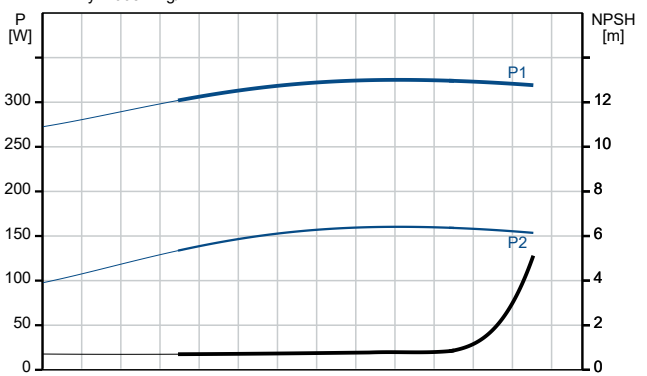
Pumped liquid = Water  
 Liquid temperature during operation = 20 °C  
 Density = 998.2 kg/m³



Description	Value
<b>General information:</b>	
Product name:	CM 1-2 A-R-G-V-AQQV C-A-A-N
Product No:	On request
EAN number:	On request
<b>Technical:</b>	
Pump speed on which pump data are based:	2900 rpm
Rated flow:	1.7 m <sup>3</sup> /h
Rated head:	12.51 m
Impellers:	2
Code for shaft seal:	AQQV
Approvals:	CE,EAC,UKCA
Approvals for drinking water:	WRAS,ACS,UBA
Curve tolerance:	ISO9906:2012 3B
Pump version:	A
Model:	A
<b>Materials:</b>	
Pump housing:	Stainless steel
Pump housing:	EN 1.4401
Pump housing:	AISI 316
Impeller:	Stainless steel
Impeller:	EN 1.4401
Impeller:	AISI 316
Material code:	G
Code for rubber:	V
<b>Installation:</b>	
Range of ambient temperature:	-20 .. 55 °C
Maximum operating pressure:	16 bar
Max pressure at stated temp:	16 bar / 90 °C
Max pressure at stated temp:	16 bar / 90 °C
Type of connection:	Rp
Size of inlet connection:	1 inch
Size of outlet connection:	1 inch
Outlet position:	12
Connect code:	R
<b>Liquid:</b>	
Pumped liquid:	Water
Liquid temperature range:	-20 .. 90 °C
Selected liquid temperature:	20 °C
Density:	998.2 kg/m <sup>3</sup>
<b>Electrical data:</b>	
Motor standard:	IEC
Frame size:	71A
Rated power - P2:	0.3 kW
Mains frequency:	50 Hz
Suitable for 50/60 Hz:	N
Rated voltage:	1 x 220-240 V V
Service factor:	1.00
Rated current:	1.8-2.4 A
Starting current:	340-340 %
Rated speed:	2800-2830 rpm
Enclosure class (IEC 34-5):	IP55
Insulation class (IEC 85):	F
Built-in motor protection:	PTO
Cable included (Yes/No):	N
<b>Controls:</b>	
Frequency converter:	NONE
<b>Others:</b>	
Terminal box position:	12
Minimum efficiency index, MEI ≥:	0.68
Net weight:	11.6 kg
Gross weight:	14.1 kg
Country of origin:	TW



Pumped liquid = Water  
Liquid temperature during operation = 20 °C  
Density = 998.2 kg/m<sup>3</sup>

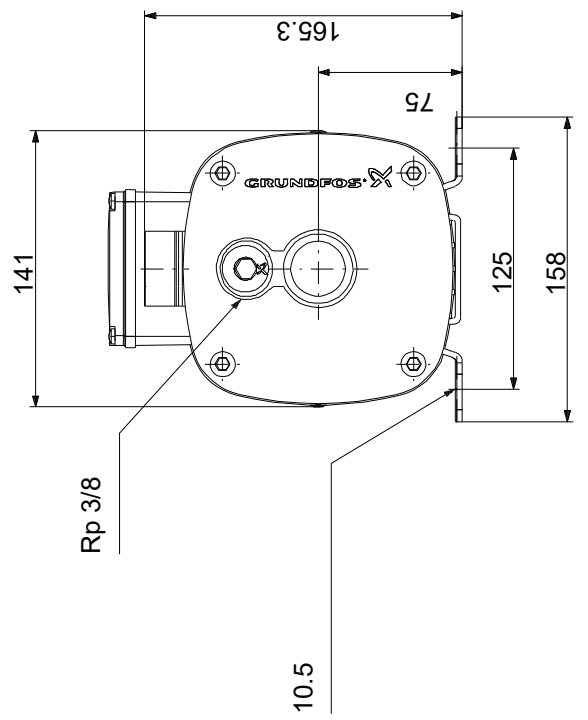
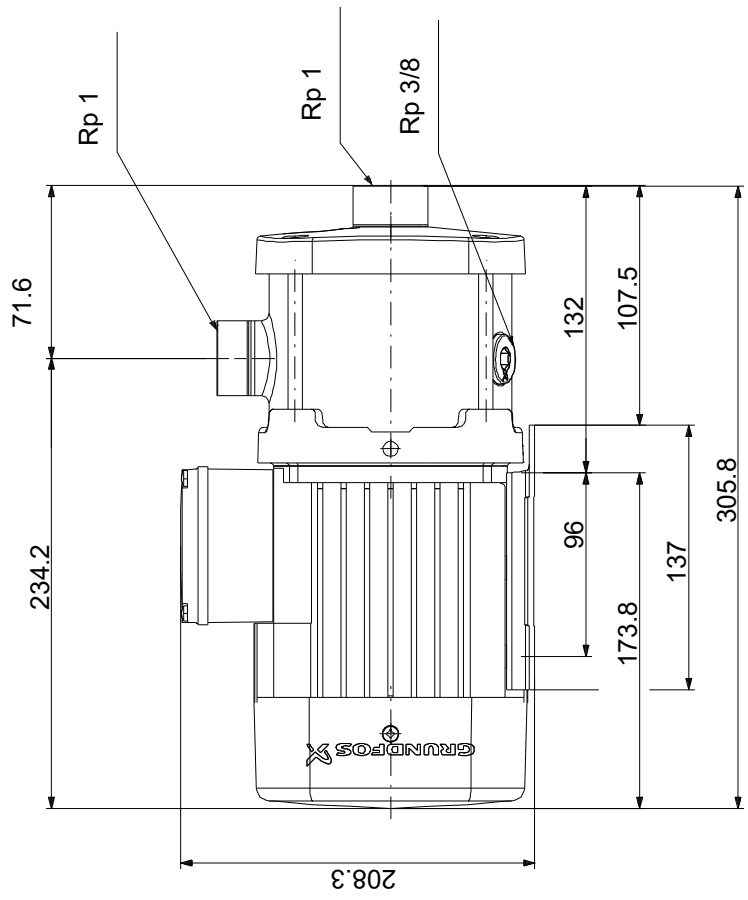


**Description****Value**

Custom tariff no.:

84137042

**On request CM 1-2 A-R-G-V-AQQV C-A-A-N 50 Hz**



Note! All units are in [mm] unless others are stated.  
 Disclaimer: This simplified dimensional drawing does not show all details.