
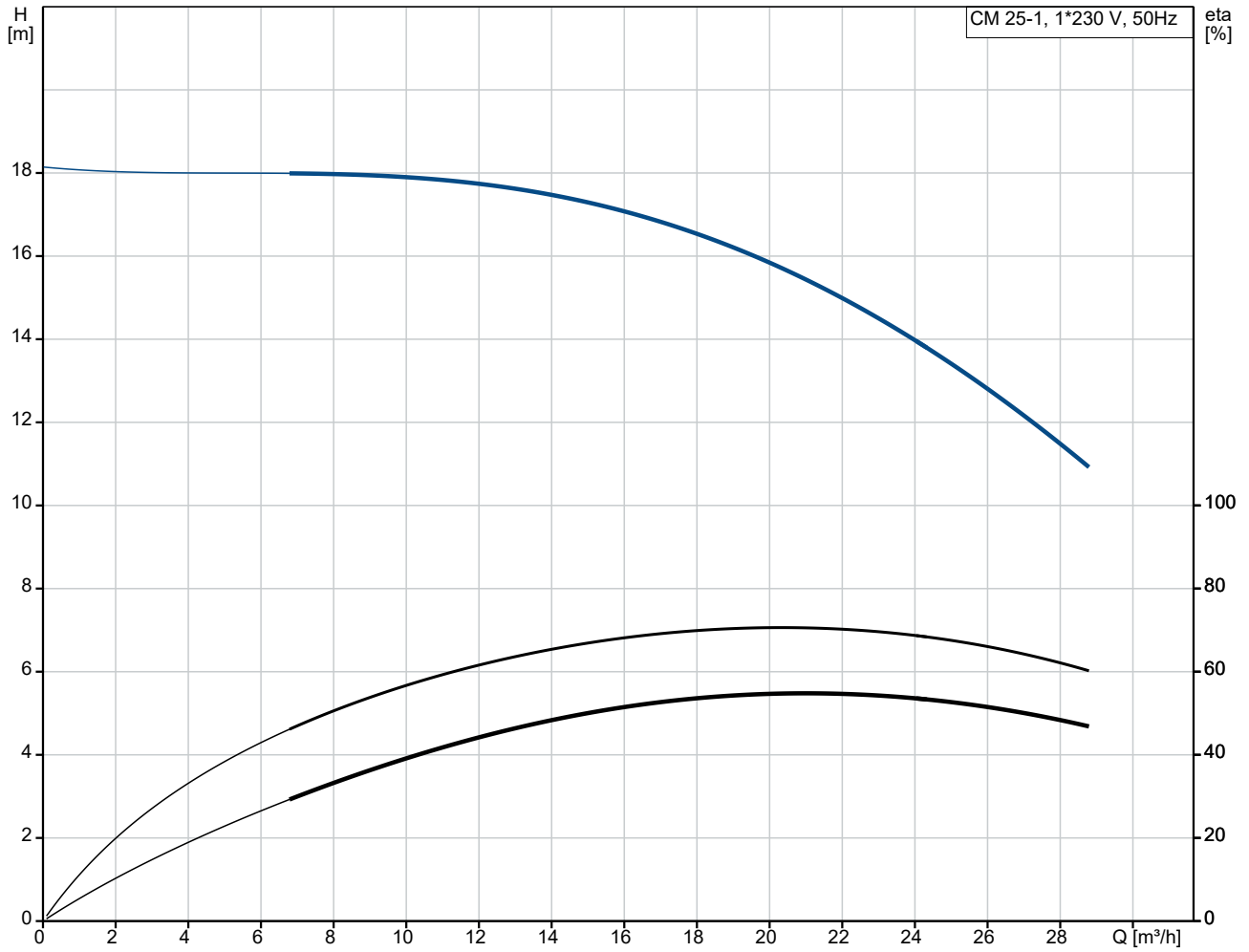


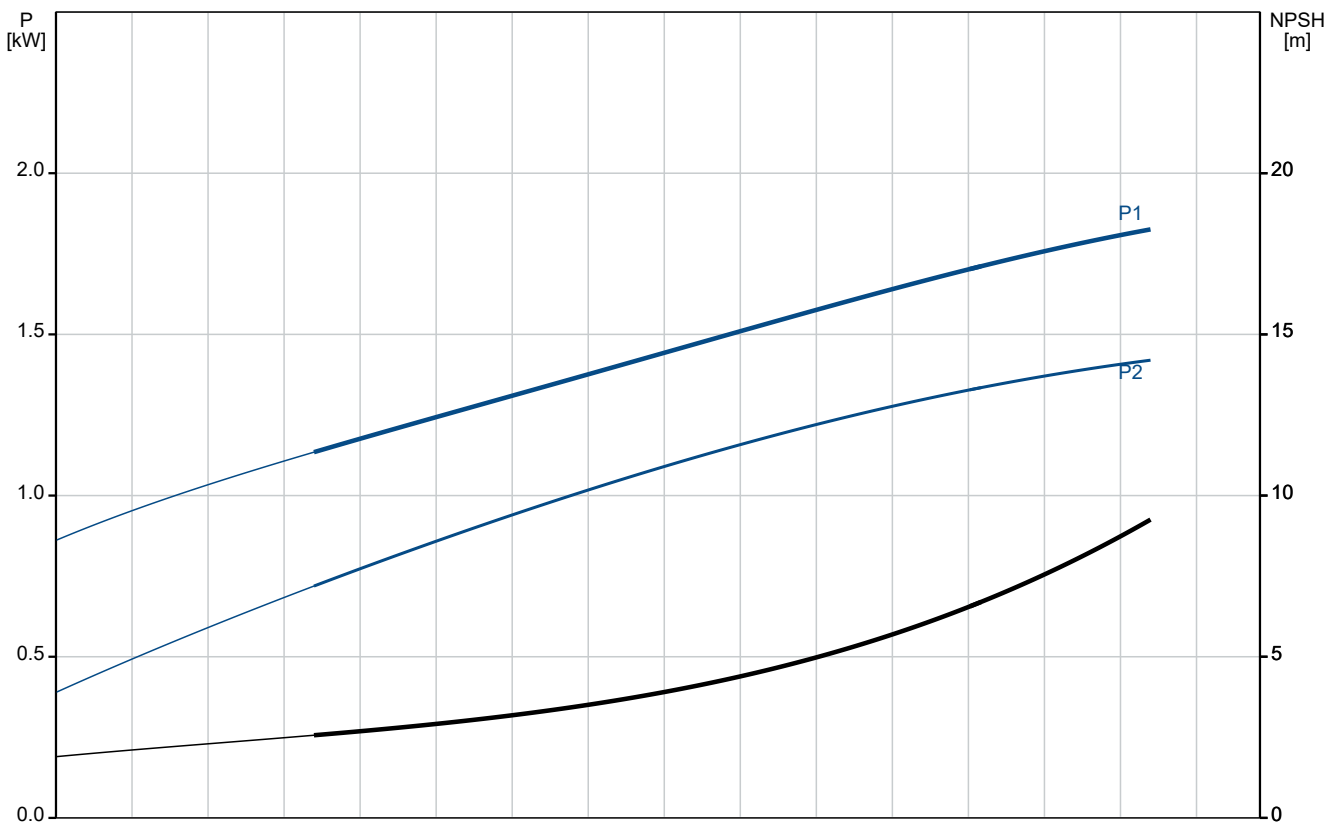
Qty.	Description
1	<p data-bbox="196 159 571 185"><b>CM 25-1 A-R-A-E-AVBE C-A-A-N</b></p> <div data-bbox="280 282 491 450" style="text-align: center;">  </div> <p data-bbox="592 506 1062 528" style="text-align: center;"><b>Note! Product picture may differ from actual product</b></p> <p data-bbox="196 539 480 562">Product No.: On request</p> <p data-bbox="196 600 1437 696">Compact, reliable, horizontal, multistage, end-suction centrifugal pump with axial suction port and radial discharge port. The shaft, impellers and chambers are made of stainless steel. The inlet and discharge parts are made of cast iron. The mechanical shaft seal is a special designed, unbalanced O-ring seal. Pipework connection is via internal Whitworth pipe threads, Rp (ISO 7/1).</p> <p data-bbox="196 712 1070 734">The pump is fitted with a 1-phase, foot-mounted, fan-cooled asynchronous motor.</p> <p data-bbox="196 770 300 792"><b>Controls:</b></p> <p data-bbox="196 797 635 824">Frequency converter:                    NONE</p> <p data-bbox="196 860 276 882"><b>Liquid:</b></p> <p data-bbox="196 887 635 913">Pumped liquid:                            Water</p> <p data-bbox="196 918 691 945">Liquid temperature range:            -20 .. 90 °C</p> <p data-bbox="196 949 635 976">Selected liquid temperature:        20 °C</p> <p data-bbox="196 981 699 1008">Density:                                    998.2 kg/m<sup>3</sup></p> <p data-bbox="196 1043 316 1066"><b>Technical:</b></p> <p data-bbox="196 1070 818 1097">Pump speed on which pump data are based:    2900 rpm</p> <p data-bbox="196 1102 651 1128">Rated flow:                                22 m<sup>3</sup>/h</p> <p data-bbox="196 1133 659 1160">Rated head:                                16.18 m</p> <p data-bbox="196 1164 635 1191">Code for shaft seal:                    AVBE</p> <p data-bbox="196 1196 730 1223">Approvals:                                CE,EAC,UKCA</p> <p data-bbox="196 1227 699 1254">Approvals for drinking water:        ACS,NSF61</p> <p data-bbox="196 1258 762 1285">Curve tolerance:                        ISO9906:2012 3B</p> <p data-bbox="196 1312 308 1335"><b>Materials:</b></p> <p data-bbox="196 1339 738 1420">Pump housing:                            Cast iron EN-GJL-200 ASTM A48-25A</p> <p data-bbox="196 1424 722 1505">Impeller:                                 Stainless steel EN 1.4301 AISI 304</p> <p data-bbox="196 1541 323 1563"><b>Installation:</b></p> <p data-bbox="196 1568 691 1594">Range of ambient temperature:       -20 .. 55 °C</p> <p data-bbox="196 1599 635 1626">Maximum operating pressure:        10 bar</p> <p data-bbox="196 1630 715 1688">Max pressure at stated temp:        10 bar / 40 °C 6 bar / 90 °C</p> <p data-bbox="196 1693 595 1720">Type of connection:                    Rp</p> <p data-bbox="196 1724 635 1751">Size of inlet connection:              2 inch</p> <p data-bbox="196 1756 635 1783">Size of outlet connection:            2 inch</p> <p data-bbox="196 1787 595 1814">Outlet position:                         12</p> <p data-bbox="196 1850 363 1872"><b>Electrical data:</b></p> <p data-bbox="196 1877 611 1904">Motor standard:                         IEC</p> <p data-bbox="196 1908 627 1935">Frame size:                               90SB</p> <p data-bbox="196 1939 643 1966">Rated power - P2:                       1.7 kW</p> <p data-bbox="196 1971 635 1998">Mains frequency:                       50 Hz</p> <p data-bbox="196 2002 587 2029">Suitable for 50/60 Hz:                N</p> <p data-bbox="196 2033 738 2060">Rated voltage:                           1 x 220-240 V V</p> <p data-bbox="196 2065 611 2092">Service factor:                         1.00</p> <p data-bbox="196 2096 691 2123">Rated current:                            11.2-10.0 A</p>

Qty.	Description
1	<p>Starting current: 370-370 %  Rated speed: 2740-2755 rpm  Enclosure class (IEC 34-5): IP55  Insulation class (IEC 85): F  Built-in motor protection: PTO  Cable included (Yes/No): N</p> <p>Others:  Terminal box position: 12  Minimum efficiency index, MEI ≥: 0.7  Net weight: 30.6 kg  Gross weight: 33.1 kg  Country of origin: TW  Custom tariff no.: 84137042</p>

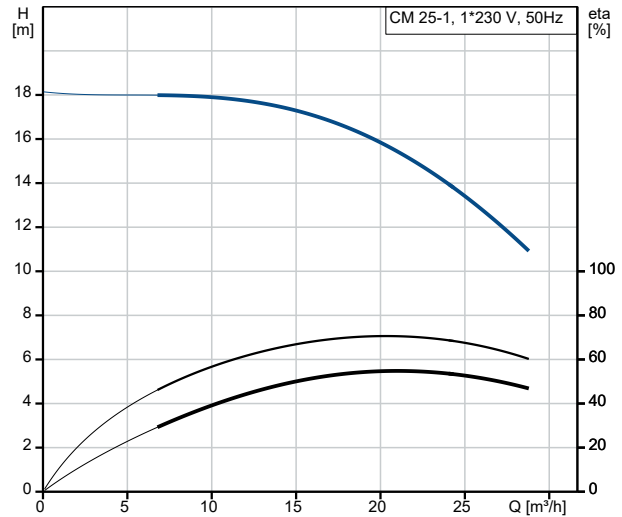
# On request CM 25-1 A-R-A-E-AVBE C-A-A-N 50 Hz



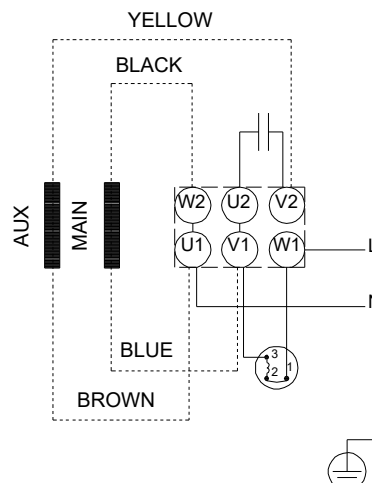
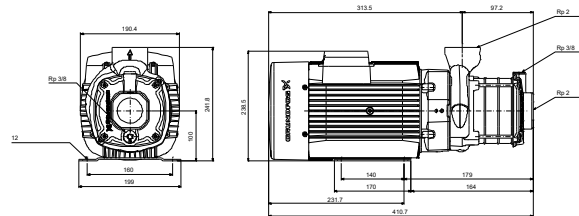
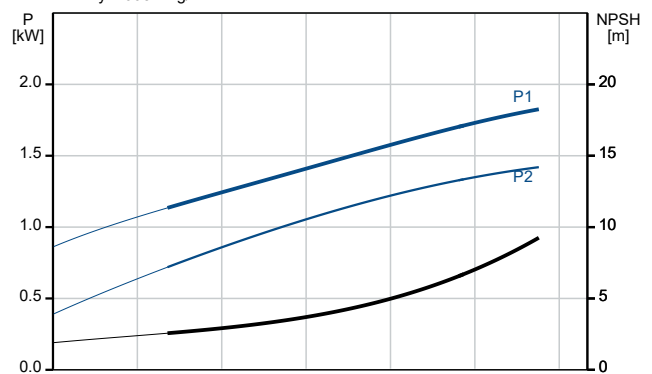
Pumped liquid = Water  
 Liquid temperature during operation = 20 °C  
 Density = 998.2 kg/m³



Description	Value
<b>General information:</b>	
Product name:	CM 25-1 A-R-A-E-AVBE C-A-A-N
Product No:	On request
EAN number:	On request
<b>Technical:</b>	
Pump speed on which pump data are based:	2900 rpm
Rated flow:	22 m <sup>3</sup> /h
Rated head:	16.18 m
Impellers:	1
Code for shaft seal:	AVBE
Approvals:	CE,EAC,UKCA
Approvals for drinking water:	ACS,NSF61
Curve tolerance:	ISO9906:2012 3B
Pump version:	A
Model:	A
<b>Materials:</b>	
Pump housing:	Cast iron
Pump housing:	EN-GJL-200
Pump housing:	ASTM A48-25A
Impeller:	Stainless steel
Impeller:	EN 1.4301
Impeller:	AISI 304
Material code:	A
Code for rubber:	E
<b>Installation:</b>	
Range of ambient temperature:	-20 .. 55 °C
Maximum operating pressure:	10 bar
Max pressure at stated temp:	10 bar / 40 °C
Max pressure at stated temp:	6 bar / 90 °C
Type of connection:	Rp
Size of inlet connection:	2 inch
Size of outlet connection:	2 inch
Outlet position:	12
Connect code:	R
<b>Liquid:</b>	
Pumped liquid:	Water
Liquid temperature range:	-20 .. 90 °C
Selected liquid temperature:	20 °C
Density:	998.2 kg/m <sup>3</sup>
<b>Electrical data:</b>	
Motor standard:	IEC
Frame size:	90SB
Rated power - P2:	1.7 kW
Mains frequency:	50 Hz
Suitable for 50/60 Hz:	N
Rated voltage:	1 x 220-240 V V
Service factor:	1.00
Rated current:	11.2-10.0 A
Starting current:	370-370 %
Rated speed:	2740-2755 rpm
Enclosure class (IEC 34-5):	IP55
Insulation class (IEC 85):	F
Built-in motor protection:	PTO
Cable included (Yes/No):	N
<b>Controls:</b>	
Frequency converter:	NONE
<b>Others:</b>	
Terminal box position:	12
Minimum efficiency index, MEI ≥:	0.7
Net weight:	30.6 kg
Gross weight:	33.1 kg
Country of origin:	TW



Pumped liquid = Water  
Liquid temperature during operation = 20 °C  
Density = 998.2 kg/m<sup>3</sup>

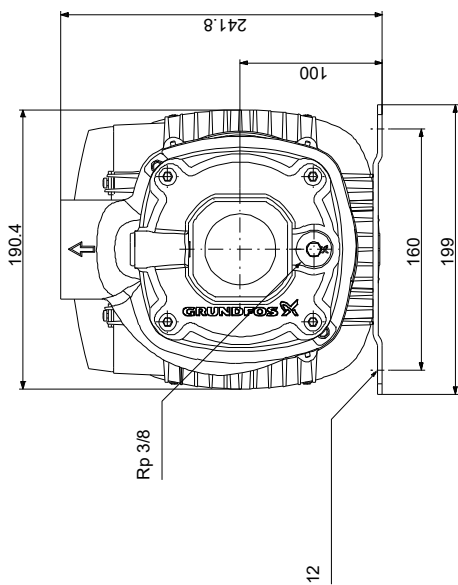
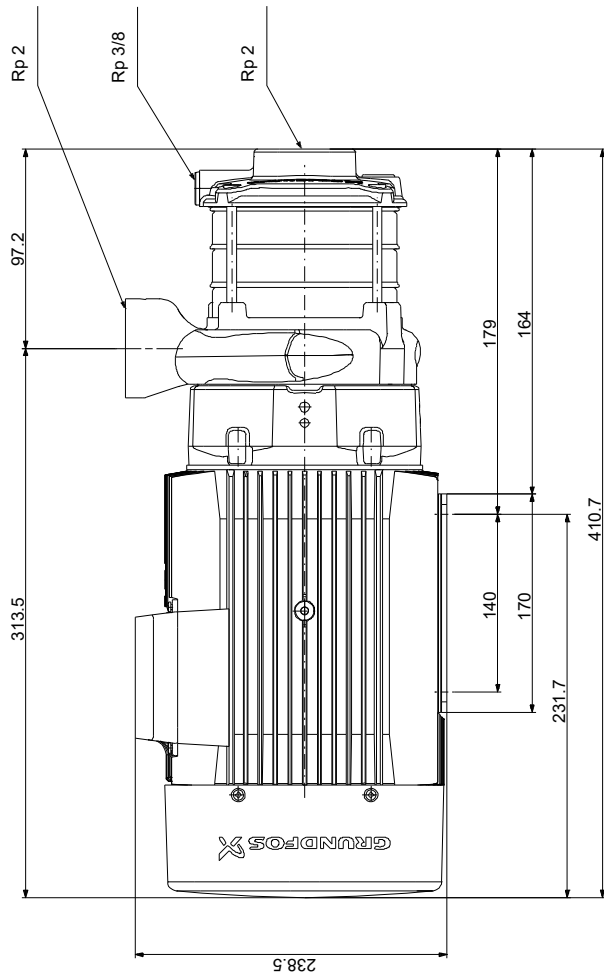


**Description****Value**

Custom tariff no.:

84137042

# On request CM 25-1 A-R-A-E-AVBE C-A-A-N 50 Hz



Note! All units are in [mm] unless others are stated.  
 Disclaimer: This simplified dimensional drawing does not show all details.