
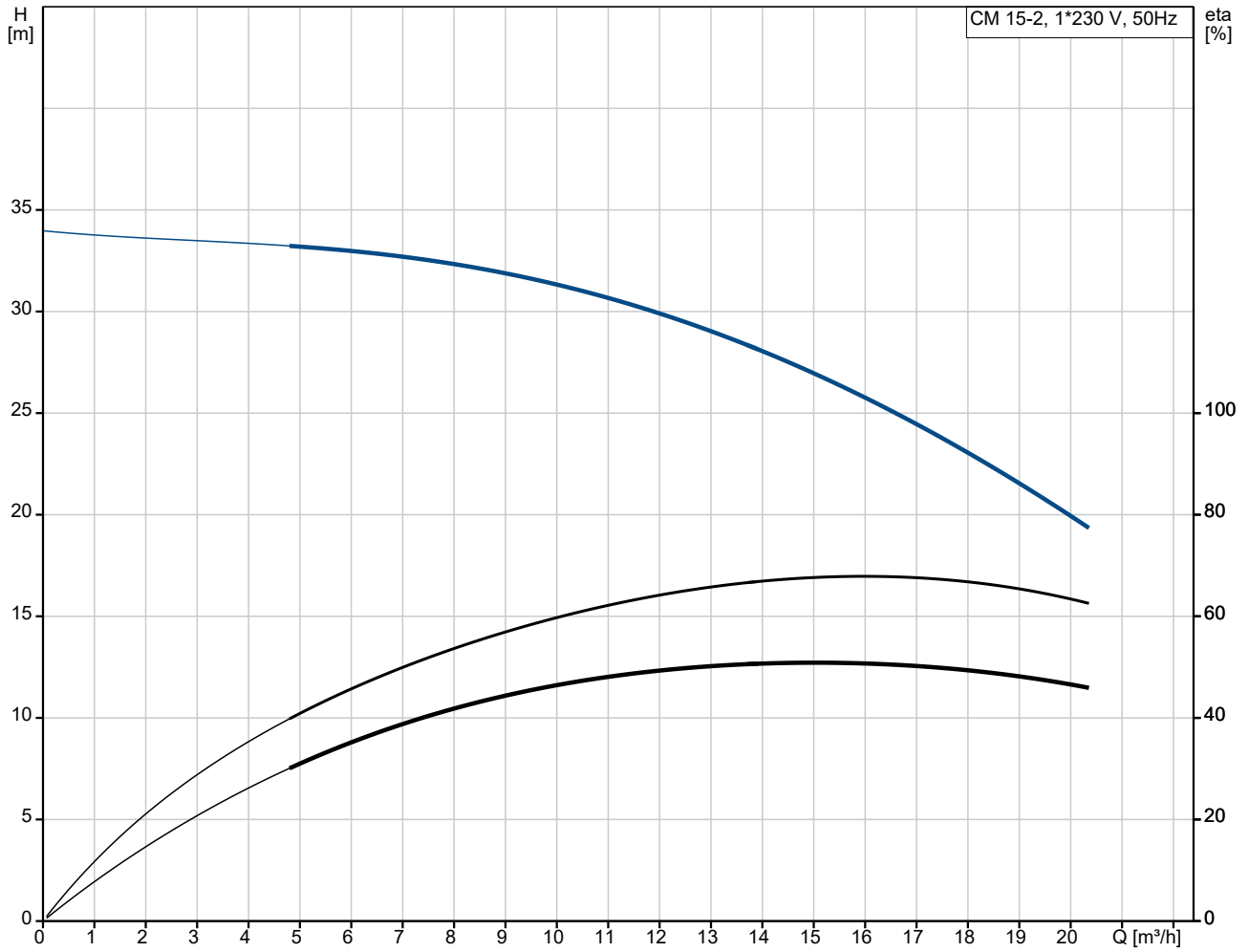


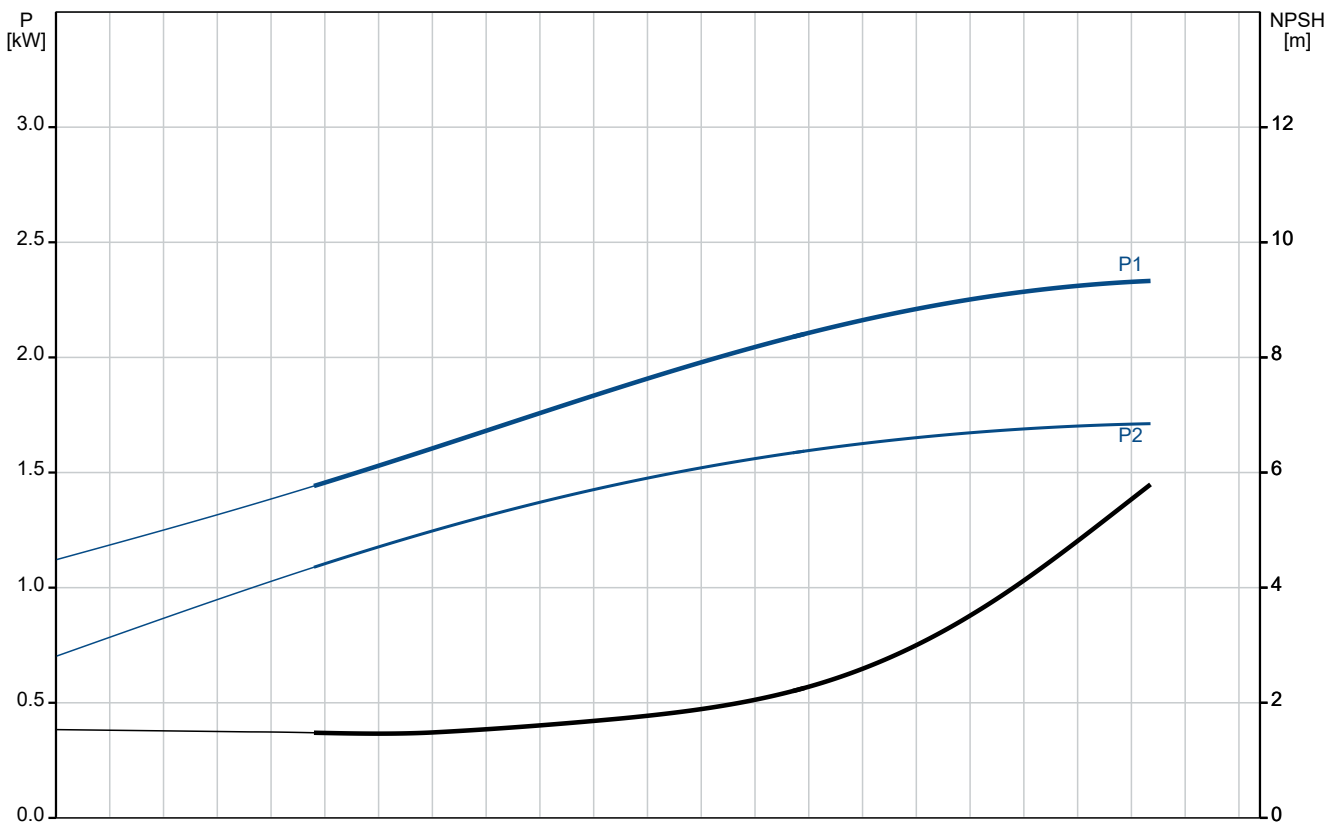
Qty.	Description
1	<p data-bbox="201 159 571 188"><b>CM 15-2 A-R-A-E-AVBE C-A-A-N</b></p> <div data-bbox="280 282 491 450" style="text-align: center;">  </div> <p data-bbox="592 506 1062 530" style="text-align: center;"><b>Note! Product picture may differ from actual product</b></p> <p data-bbox="201 539 480 566">Product No.: On request</p> <p data-bbox="201 600 1437 698">Compact, reliable, horizontal, multistage, end-suction centrifugal pump with axial suction port and radial discharge port. The shaft, impellers and chambers are made of stainless steel. The inlet and discharge parts are made of cast iron. The mechanical shaft seal is a special designed, unbalanced O-ring seal. Pipework connection is via internal Whitworth pipe threads, Rp (ISO 7/1).</p> <p data-bbox="201 712 1070 739">The pump is fitted with a 1-phase, foot-mounted, fan-cooled asynchronous motor.</p> <p data-bbox="201 772 300 799"><b>Controls:</b></p> <p data-bbox="201 801 635 828">Frequency converter:                   NONE</p> <p data-bbox="201 862 272 889"><b>Liquid:</b></p> <p data-bbox="201 891 635 918">Pumped liquid:                           Water</p> <p data-bbox="201 920 687 947">Liquid temperature range:           -20 .. 90 °C</p> <p data-bbox="201 949 635 976">Selected liquid temperature:       20 °C</p> <p data-bbox="201 978 695 1005">Density:                                   998.2 kg/m<sup>3</sup></p> <p data-bbox="201 1039 316 1066"><b>Technical:</b></p> <p data-bbox="201 1068 820 1095">Pump speed on which pump data are based:   2900 rpm</p> <p data-bbox="201 1097 651 1124">Rated flow:                               17 m<sup>3</sup>/h</p> <p data-bbox="201 1126 655 1153">Rated head:                               29.67 m</p> <p data-bbox="201 1155 635 1182">Code for shaft seal:                   AVBE</p> <p data-bbox="201 1184 730 1211">Approvals:                               CE,EAC,UKCA</p> <p data-bbox="201 1214 695 1240">Approvals for drinking water:       ACS,NSF61</p> <p data-bbox="201 1243 759 1270">Curve tolerance:                       ISO9906:2012 3B</p> <p data-bbox="201 1303 309 1330"><b>Materials:</b></p> <p data-bbox="201 1332 735 1417">Pump housing:                           Cast iron EN-GJL-200 ASTM A48-25A</p> <p data-bbox="201 1420 724 1505">Impeller:                                 Stainless steel EN 1.4301 AISI 304</p> <p data-bbox="201 1538 325 1565"><b>Installation:</b></p> <p data-bbox="201 1568 691 1594">Range of ambient temperature:       -20 .. 55 °C</p> <p data-bbox="201 1597 635 1624">Maximum operating pressure:       10 bar</p> <p data-bbox="201 1626 715 1688">Max pressure at stated temp:       10 bar / 40 °C 6 bar / 90 °C</p> <p data-bbox="201 1691 596 1718">Type of connection:                   Rp</p> <p data-bbox="201 1720 635 1747">Size of inlet connection:             2 inch</p> <p data-bbox="201 1749 635 1776">Size of outlet connection:           2 inch</p> <p data-bbox="201 1778 596 1805">Outlet position:                       12</p> <p data-bbox="201 1839 363 1865"><b>Electrical data:</b></p> <p data-bbox="201 1868 608 1895">Motor standard:                       IEC</p> <p data-bbox="201 1897 628 1924">Frame size:                             90SB</p> <p data-bbox="201 1926 643 1953">Rated power - P2:                     1.7 kW</p> <p data-bbox="201 1955 635 1982">Mains frequency:                     50 Hz</p> <p data-bbox="201 1984 584 2011">Suitable for 50/60 Hz:               N</p> <p data-bbox="201 2013 740 2040">Rated voltage:                         1 x 220-240 V V</p> <p data-bbox="201 2042 616 2069">Service factor:                       1.00</p> <p data-bbox="201 2072 692 2098">Rated current:                         11.2-10.0 A</p>

Qty.	Description
1	<p>Starting current: 370-370 %  Rated speed: 2740-2755 rpm  Enclosure class (IEC 34-5): IP55  Insulation class (IEC 85): F  Built-in motor protection: PTO  Cable included (Yes/No): N</p> <p>Others:  Terminal box position: 12  Minimum efficiency index, MEI ≥: 0.7  Net weight: 31.3 kg  Gross weight: 33.8 kg  Country of origin: TW  Custom tariff no.: 84137042</p>

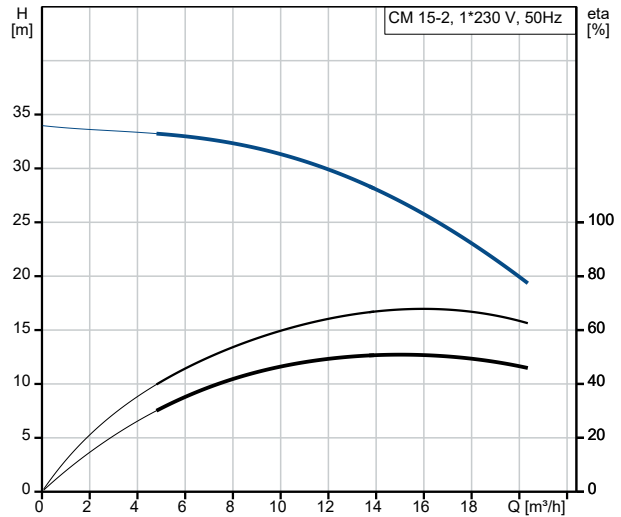
# On request CM 15-2 A-R-A-E-AVBE C-A-A-N 50 Hz



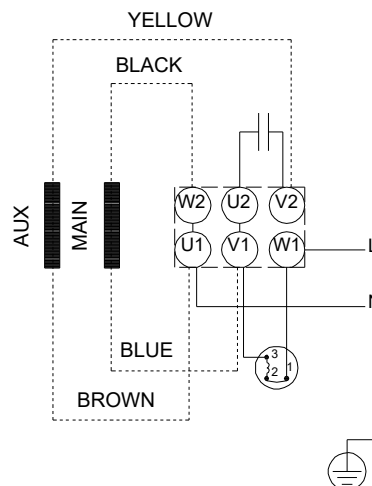
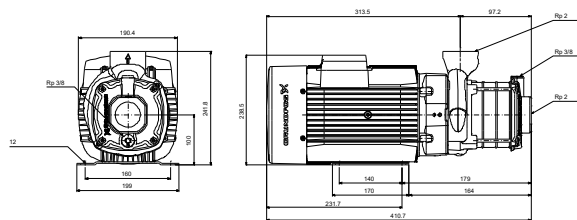
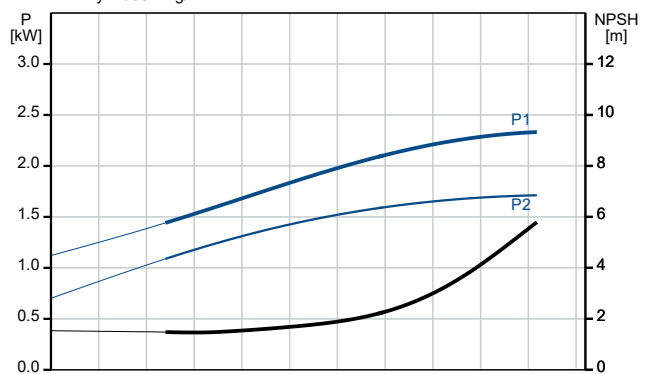
Pumped liquid = Water  
 Liquid temperature during operation = 20 °C  
 Density = 998.2 kg/m³



Description	Value
<b>General information:</b>	
Product name:	CM 15-2 A-R-A-E-AVBE C-A-A-N
Product No:	On request
EAN number:	On request
<b>Technical:</b>	
Pump speed on which pump data are based:	2900 rpm
Rated flow:	17 m <sup>3</sup> /h
Rated head:	29.67 m
Impellers:	2
Code for shaft seal:	AVBE
Approvals:	CE,EAC,UKCA
Approvals for drinking water:	ACS,NSF61
Curve tolerance:	ISO9906:2012 3B
Pump version:	A
Model:	A
<b>Materials:</b>	
Pump housing:	Cast iron
Pump housing:	EN-GJL-200
Pump housing:	ASTM A48-25A
Impeller:	Stainless steel
Impeller:	EN 1.4301
Impeller:	AISI 304
Material code:	A
Code for rubber:	E
<b>Installation:</b>	
Range of ambient temperature:	-20 .. 55 °C
Maximum operating pressure:	10 bar
Max pressure at stated temp:	10 bar / 40 °C
Max pressure at stated temp:	6 bar / 90 °C
Type of connection:	Rp
Size of inlet connection:	2 inch
Size of outlet connection:	2 inch
Outlet position:	12
Connect code:	R
<b>Liquid:</b>	
Pumped liquid:	Water
Liquid temperature range:	-20 .. 90 °C
Selected liquid temperature:	20 °C
Density:	998.2 kg/m <sup>3</sup>
<b>Electrical data:</b>	
Motor standard:	IEC
Frame size:	90SB
Rated power - P2:	1.7 kW
Mains frequency:	50 Hz
Suitable for 50/60 Hz:	N
Rated voltage:	1 x 220-240 V V
Service factor:	1.00
Rated current:	11.2-10.0 A
Starting current:	370-370 %
Rated speed:	2740-2755 rpm
Enclosure class (IEC 34-5):	IP55
Insulation class (IEC 85):	F
Built-in motor protection:	PTO
Cable included (Yes/No):	N
<b>Controls:</b>	
Frequency converter:	NONE
<b>Others:</b>	
Terminal box position:	12
Minimum efficiency index, MEI ≥:	0.7
Net weight:	31.3 kg
Gross weight:	33.8 kg
Country of origin:	TW



Pumped liquid = Water  
Liquid temperature during operation = 20 °C  
Density = 998.2 kg/m<sup>3</sup>

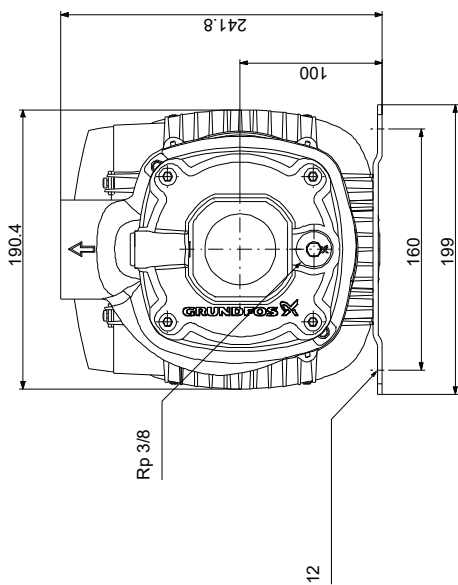
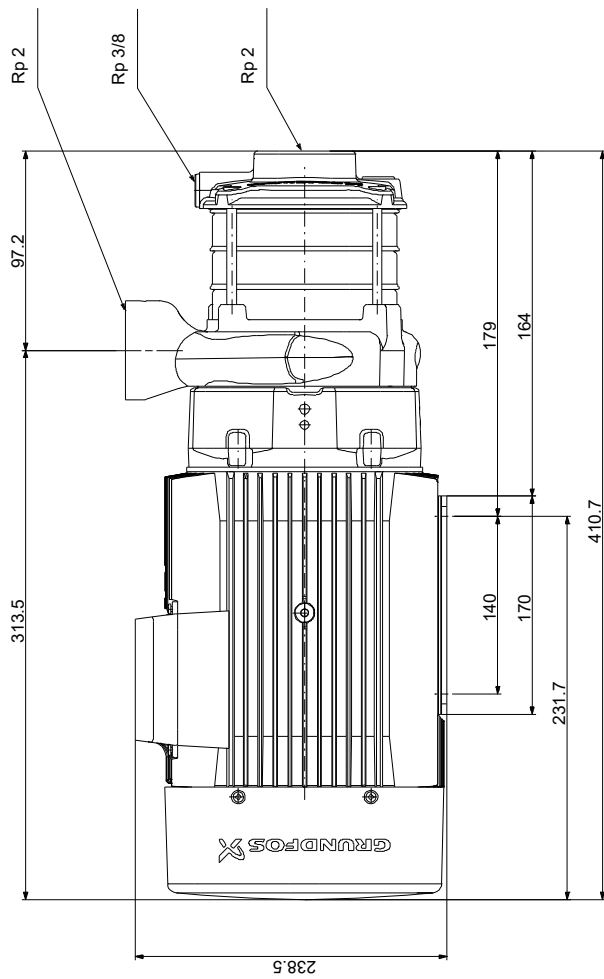


**Description****Value**

Custom tariff no.:

84137042

# On request CM 15-2 A-R-A-E-AVBE C-A-A-N 50 Hz



Note! All units are in [mm] unless others are stated.  
 Disclaimer: This simplified dimensional drawing does not show all details.