
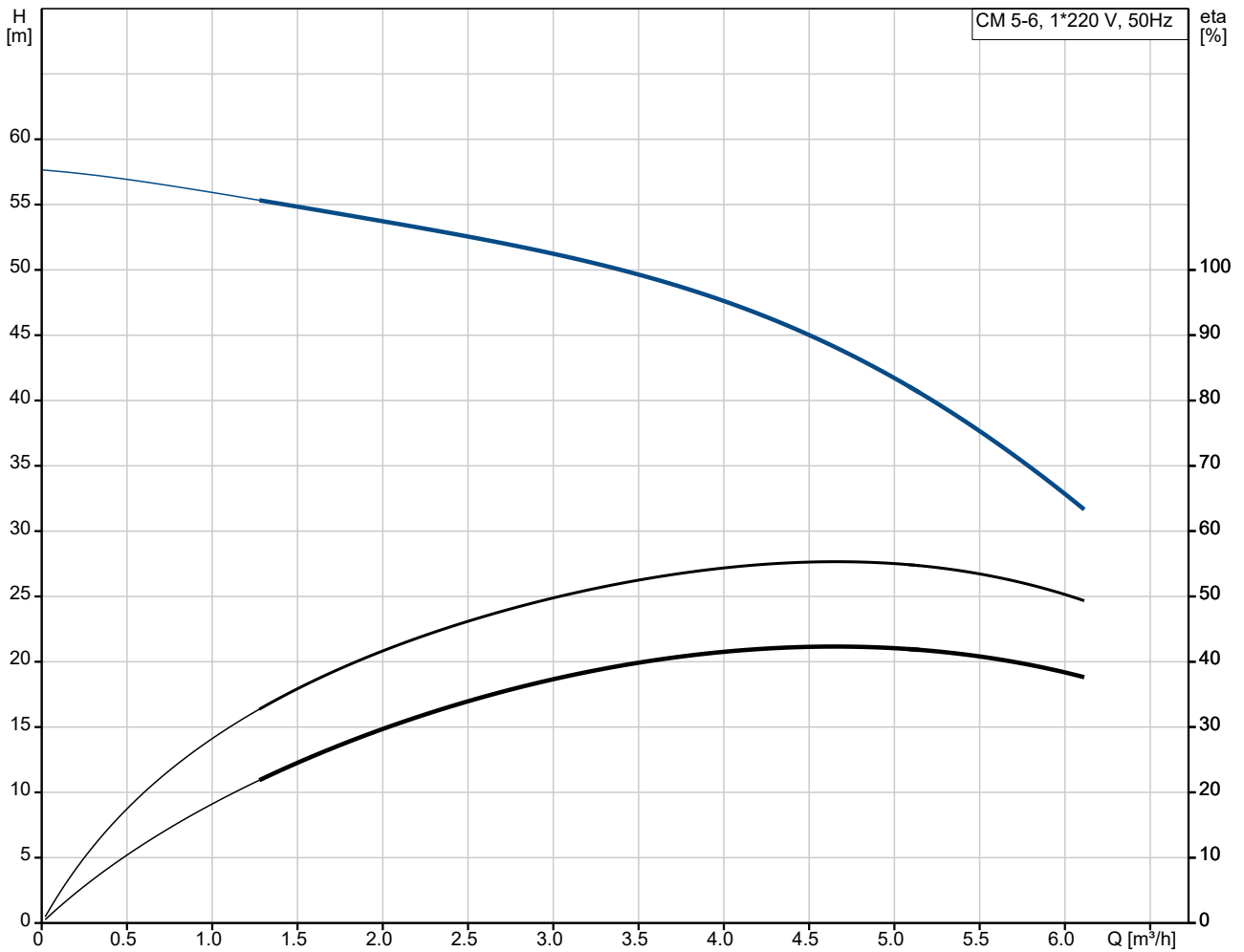


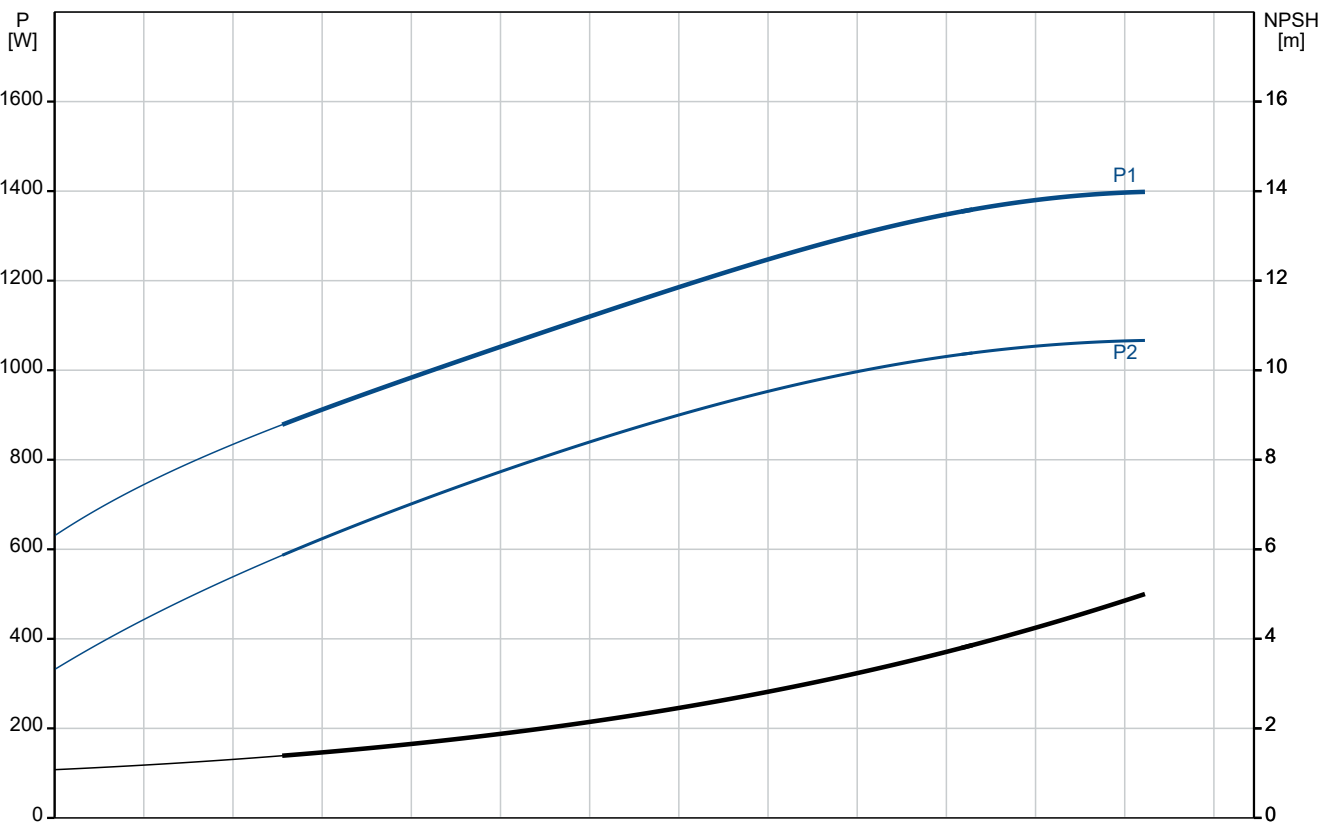
| Qty. | Description |
|------|--|
| 1 | <p data-bbox="196 159 558 190">CM 5-6 A-R-A-E-AVBE C-A-A-N</p> <div data-bbox="279 280 491 448">  </div> <p data-bbox="590 504 1066 533" style="text-align: center;">Note! Product picture may differ from actual product</p> <p data-bbox="196 537 478 566">Product No.: On request</p> <p data-bbox="196 600 1436 698">Compact, reliable, horizontal, multistage, end-suction centrifugal pump with axial suction port and radial discharge port. The shaft, impellers and chambers are made of stainless steel. The inlet and discharge parts are made of cast iron. The mechanical shaft seal is a special designed, unbalanced O-ring seal. Pipework connection is via internal Whitworth pipe threads, Rp (ISO 7/1).</p> <p data-bbox="196 712 1072 741">The pump is fitted with a 1-phase, foot-mounted, fan-cooled asynchronous motor.</p> <p data-bbox="196 772 300 801">Controls:</p> <p data-bbox="196 801 638 831">Frequency converter: NONE</p> <p data-bbox="196 862 279 891">Liquid:</p> <p data-bbox="196 891 638 920">Pumped liquid: Water</p> <p data-bbox="196 920 694 949">Liquid temperature range: -20 .. 90 °C</p> <p data-bbox="196 949 630 978">Selected liquid temperature: 20 °C</p> <p data-bbox="196 978 694 1008">Density: 998.2 kg/m³</p> <p data-bbox="196 1039 316 1068">Technical:</p> <p data-bbox="196 1068 821 1097">Pump speed on which pump data are based: 2900 rpm</p> <p data-bbox="196 1097 662 1126">Rated flow: 4.7 m³/h</p> <p data-bbox="196 1126 662 1155">Rated head: 46.54 m</p> <p data-bbox="196 1155 630 1184">Code for shaft seal: AVBE</p> <p data-bbox="196 1184 734 1214">Approvals: CE,EAC,UKCA</p> <p data-bbox="196 1214 694 1243">Approvals for drinking water: ACS,NSF61</p> <p data-bbox="196 1243 758 1272">Curve tolerance: ISO9906:2012 3B</p> <p data-bbox="196 1303 311 1332">Materials:</p> <p data-bbox="196 1332 742 1422">Pump housing: Cast iron EN-GJL-200 ASTM A48-25A</p> <p data-bbox="196 1422 726 1512">Impeller: Stainless steel EN 1.4301 AISI 304</p> <p data-bbox="196 1543 327 1572">Installation:</p> <p data-bbox="196 1572 694 1601">Range of ambient temperature: -20 .. 55 °C</p> <p data-bbox="196 1601 638 1630">Maximum operating pressure: 10 bar</p> <p data-bbox="196 1630 718 1691">Max pressure at stated temp: 10 bar / 40 °C 6 bar / 90 °C</p> <p data-bbox="196 1691 598 1720">Type of connection: Rp</p> <p data-bbox="196 1720 678 1749">Size of inlet connection: 1 1/4 inch</p> <p data-bbox="196 1749 630 1778">Size of outlet connection: 1 inch</p> <p data-bbox="196 1778 598 1807">Outlet position: 12</p> <p data-bbox="196 1839 359 1868">Electrical data:</p> <p data-bbox="196 1868 614 1897">Motor standard: IEC</p> <p data-bbox="196 1897 630 1926">Frame size: 90SA</p> <p data-bbox="196 1926 646 1955">Rated power - P2: 1.3 kW</p> <p data-bbox="196 1955 630 1984">Mains frequency: 50 Hz</p> <p data-bbox="196 1984 582 2013">Suitable for 50/60 Hz: N</p> <p data-bbox="196 2013 742 2042">Rated voltage: 1 x 220-240 V V</p> <p data-bbox="196 2042 614 2072">Service factor: 1.00</p> <p data-bbox="196 2072 662 2101">Rated current: 8.4-8.0 A</p> |

| Qty. | Description |
|------|---|
| 1 | <p>Starting current: 340-340 % Rated speed: 2710 rpm Enclosure class (IEC 34-5): IP55 Insulation class (IEC 85): F Built-in motor protection: PTO Cable included (Yes/No): N</p> <p>Others: Terminal box position: 12 Minimum efficiency index, MEI ≥: 0.7 Net weight: 22.7 kg Gross weight: 25.2 kg Country of origin: TW Custom tariff no.: 84137042</p> |

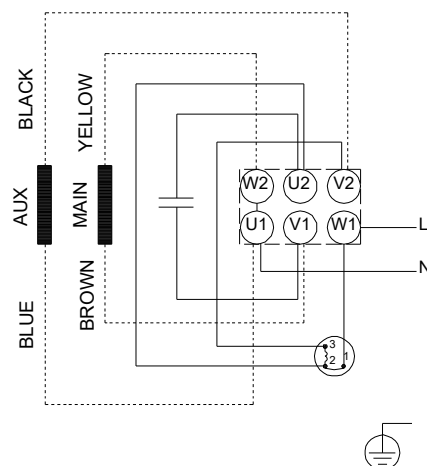
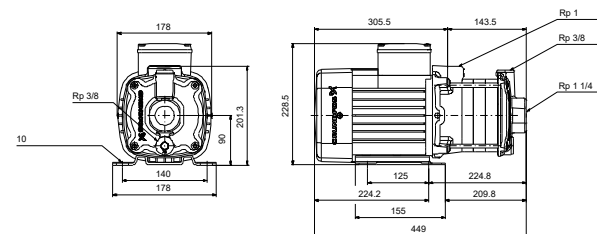
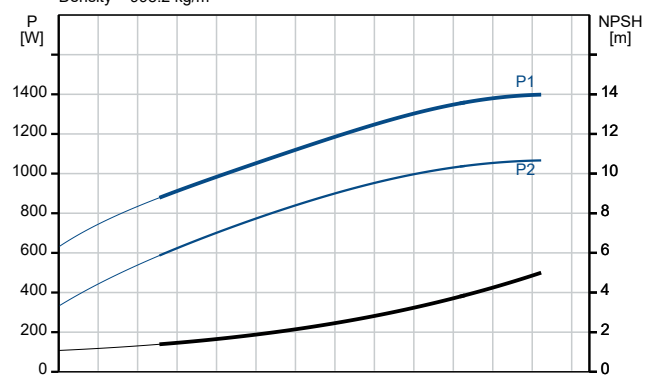
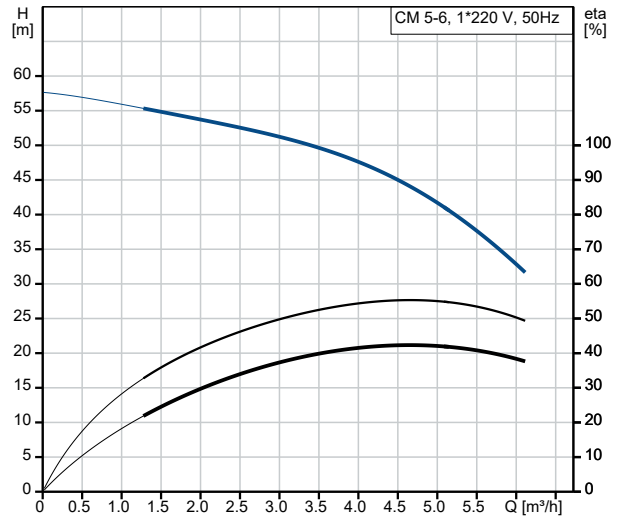
On request CM 5-6 A-R-A-E-AVBE C-A-A-N 50 Hz



Pumped liquid = Water
 Liquid temperature during operation = 20 °C
 Density = 998.2 kg/m³



| Description | Value |
|--|--------------------------------|
| General information: | |
| Product name: | CM 5-6 A-R-A-E-AVBE C-A-A-N |
| Product No: | On request |
| EAN number: | On request |
| Technical: | |
| Pump speed on which pump data are based: | 2900 rpm |
| Rated flow: | 4.7 m ³ /h |
| Rated head: | 46.54 m |
| Impellers: | 6 |
| Code for shaft seal: | AVBE |
| Approvals: | CE,EAC,UKCA |
| Approvals for drinking water: | ACS,NSF61 |
| Curve tolerance: | ISO9906:2012 3B |
| Pump version: | A |
| Model: | A |
| Materials: | |
| Pump housing: | Cast iron |
| Pump housing: | EN-GJL-200 |
| Pump housing: | ASTM A48-25A |
| Impeller: | Stainless steel |
| Impeller: | EN 1.4301 |
| Impeller: | AISI 304 |
| Material code: | A |
| Code for rubber: | E |
| Installation: | |
| Range of ambient temperature: | -20 .. 55 °C |
| Maximum operating pressure: | 10 bar |
| Max pressure at stated temp: | 10 bar / 40 °C |
| Max pressure at stated temp: | 6 bar / 90 °C |
| Type of connection: | Rp |
| Size of inlet connection: | 1 1/4 inch |
| Size of outlet connection: | 1 inch |
| Outlet position: | 12 |
| Connect code: | R |
| Liquid: | |
| Pumped liquid: | Water |
| Liquid temperature range: | -20 .. 90 °C |
| Selected liquid temperature: | 20 °C |
| Density: | 998.2 kg/m ³ |
| Electrical data: | |
| Motor standard: | IEC |
| Frame size: | 90SA |
| Rated power - P2: | 1.3 kW |
| Mains frequency: | 50 Hz |
| Suitable for 50/60 Hz: | N |
| Rated voltage: | 1 x 220-240 V V |
| Service factor: | 1.00 |
| Rated current: | 8.4-8.0 A |
| Starting current: | 340-340 % |
| Rated speed: | 2710 rpm |
| Enclosure class (IEC 34-5): | IP55 |
| Insulation class (IEC 85): | F |
| Built-in motor protection: | PTO |
| Cable included (Yes/No): | N |
| Controls: | |
| Frequency converter: | NONE |
| Others: | |
| Terminal box position: | 12 |
| Minimum efficiency index, MEI ≥: | 0.7 |
| Net weight: | 22.7 kg |
| Gross weight: | 25.2 kg |
| Country of origin: | TW |

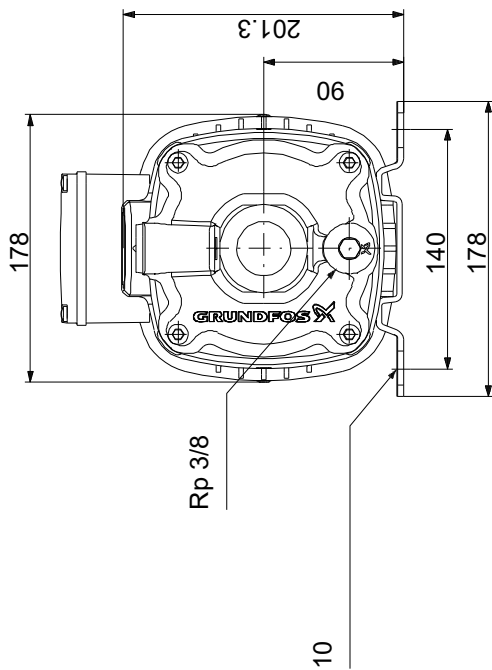
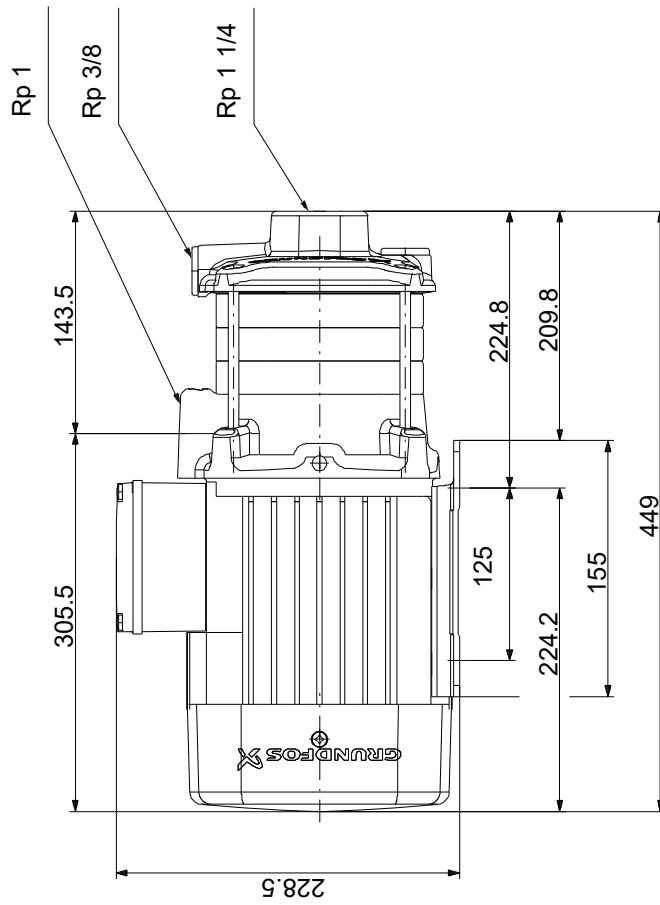


Description**Value**

Custom tariff no.:

84137042

On request CM 5-6 A-R-A-E-AVBE C-A-A-N 50 Hz



Note! All units are in [mm] unless others are stated.
 Disclaimer: This simplified dimensional drawing does not show all details.