
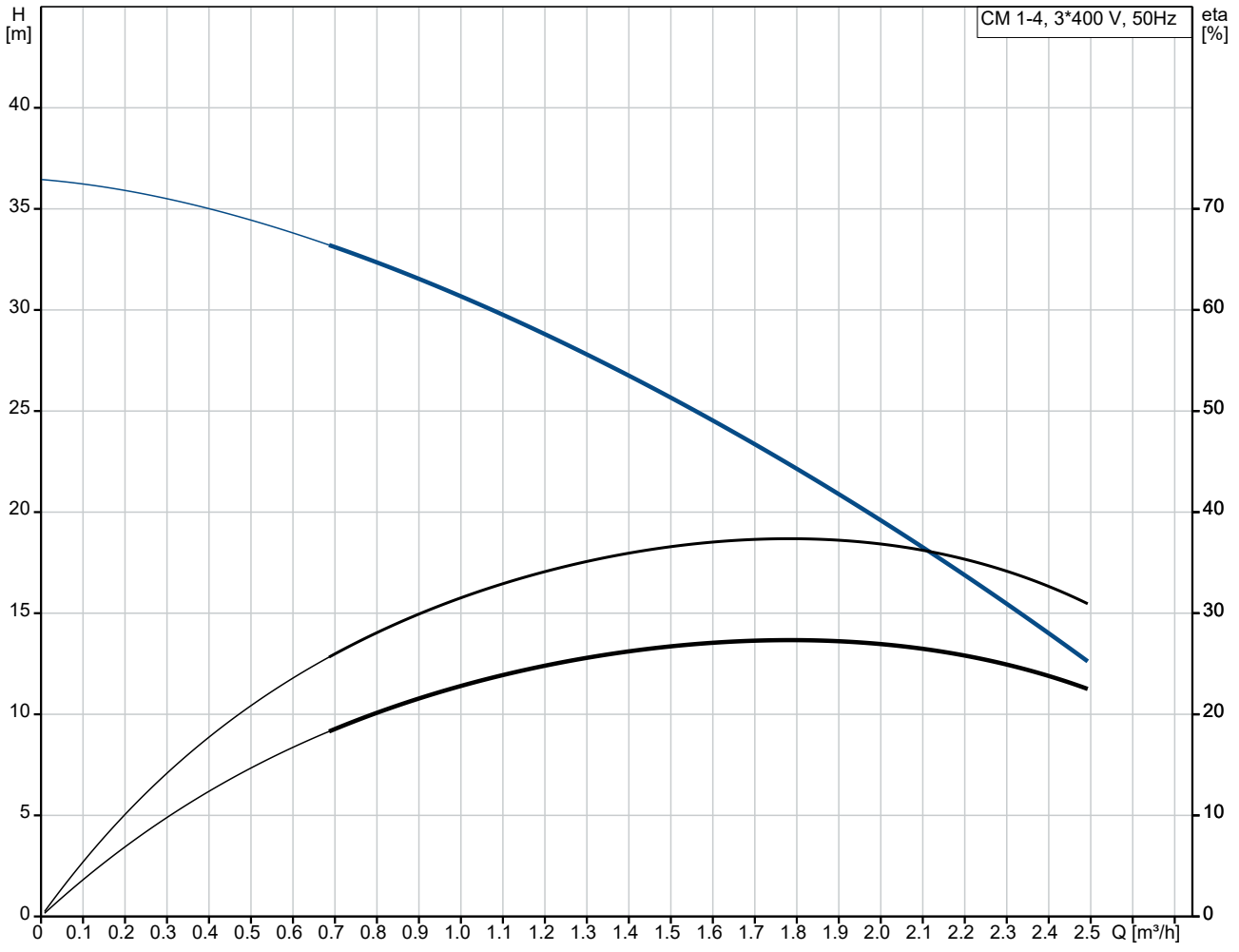


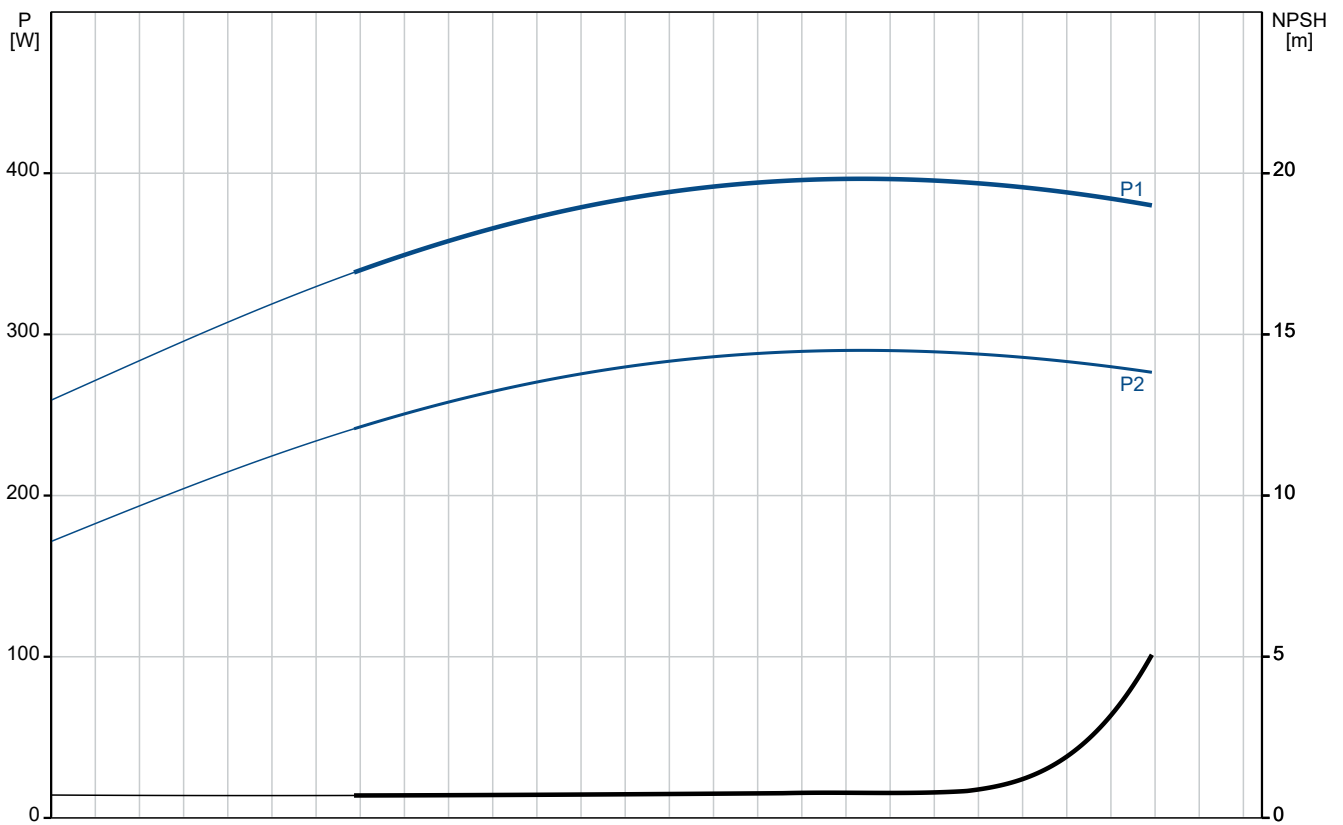
| Qty. | Description |
|------|---|
| 1 | <p data-bbox="196 159 555 185">CM 1-4 A-R-A-E-AVBE F-A-A-N</p> <div data-bbox="256 297 507 450" style="text-align: center;">  </div> <p data-bbox="592 506 1062 528" style="text-align: center;">Note! Product picture may differ from actual product</p> <p data-bbox="196 539 480 562">Product No.: On request</p> <p data-bbox="196 600 1437 696">Compact, reliable, horizontal, multistage, end-suction centrifugal pump with axial suction port and radial discharge port. The shaft, impellers and chambers are made of stainless steel. The inlet and discharge parts are made of cast iron. The mechanical shaft seal is a special designed, unbalanced O-ring seal. Pipework connection is via internal Whitworth pipe threads, Rp (ISO 7/1).</p> <p data-bbox="196 712 1070 734">The pump is fitted with a 3-phase, foot-mounted, fan-cooled asynchronous motor.</p> <p data-bbox="196 772 300 795">Controls:</p> <p data-bbox="196 801 635 824">Frequency converter: NONE</p> <p data-bbox="196 862 276 884">Liquid:</p> <p data-bbox="196 891 635 913">Pumped liquid: Water</p> <p data-bbox="196 920 691 943">Liquid temperature range: -20 .. 90 °C</p> <p data-bbox="196 949 635 972">Selected liquid temperature: 20 °C</p> <p data-bbox="196 978 699 1001">Density: 998.2 kg/m³</p> <p data-bbox="196 1039 316 1061">Technical:</p> <p data-bbox="196 1068 818 1090">Pump speed on which pump data are based: 2900 rpm</p> <p data-bbox="196 1097 659 1120">Rated flow: 1.7 m³/h</p> <p data-bbox="196 1126 643 1149">Rated head: 24.6 m</p> <p data-bbox="196 1155 635 1178">Code for shaft seal: AVBE</p> <p data-bbox="196 1184 730 1207">Approvals: CE,EAC,UKCA</p> <p data-bbox="196 1214 699 1236">Approvals for drinking water: ACS,NSF61</p> <p data-bbox="196 1243 762 1265">Curve tolerance: ISO9906:2012 3B</p> <p data-bbox="196 1303 308 1326">Materials:</p> <p data-bbox="196 1332 738 1417">Pump housing: Cast iron EN-GJL-200 ASTM A48-25A</p> <p data-bbox="196 1424 722 1509">Impeller: Stainless steel EN 1.4301 AISI 304</p> <p data-bbox="196 1547 323 1570">Installation:</p> <p data-bbox="196 1576 691 1599">Range of ambient temperature: -20 .. 55 °C</p> <p data-bbox="196 1606 635 1628">Maximum operating pressure: 10 bar</p> <p data-bbox="196 1635 715 1688">Max pressure at stated temp: 10 bar / 40 °C 6 bar / 90 °C</p> <p data-bbox="196 1695 595 1718">Type of connection: Rp</p> <p data-bbox="196 1724 635 1747">Size of inlet connection: 1 inch</p> <p data-bbox="196 1753 635 1776">Size of outlet connection: 1 inch</p> <p data-bbox="196 1783 595 1805">Outlet position: 12</p> <p data-bbox="196 1843 363 1865">Electrical data:</p> <p data-bbox="196 1872 611 1895">Motor standard: IEC</p> <p data-bbox="196 1901 611 1924">Frame size: 71A</p> <p data-bbox="196 1930 659 1953">Rated power - P2: 0.46 kW</p> <p data-bbox="196 1960 635 1982">Mains frequency: 50 Hz</p> <p data-bbox="196 1989 579 2011">Suitable for 50/60 Hz: N</p> <p data-bbox="196 2018 850 2040">Rated voltage: 3 x 220-240D/380-415V</p> <p data-bbox="196 2047 611 2069">Service factor: 1.00</p> <p data-bbox="196 2076 746 2098">Rated current: 2,0-2,2/1,0-1,2 A</p> |

| Qty. | Description |
|------|---|
| 1 | <p>Starting current: 490-530 % Rated speed: 2770-2820 rpm Enclosure class (IEC 34-5): IP55 Insulation class (IEC 85): F Built-in motor protection: NONE Cable included (Yes/No): N</p> <p>Others: Terminal box position: 12 Minimum efficiency index, MEI ≥: 0.7 Net weight: 11.6 kg Gross weight: 14.1 kg Country of origin: TW Custom tariff no.: 84137042</p> |

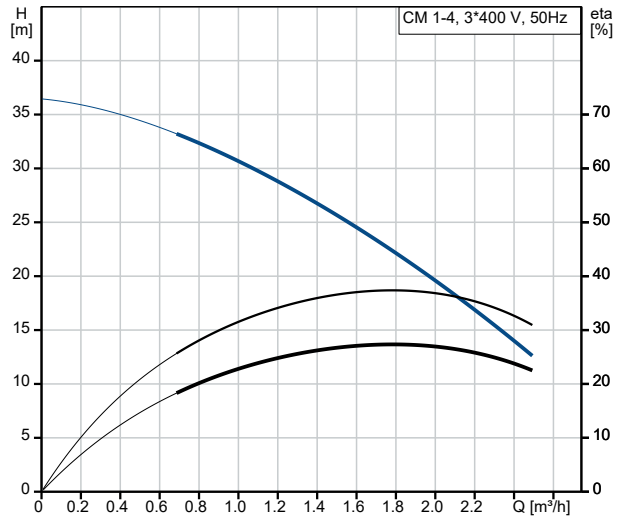
On request CM 1-4 A-R-A-E-AVBE F-A-A-N 50 Hz



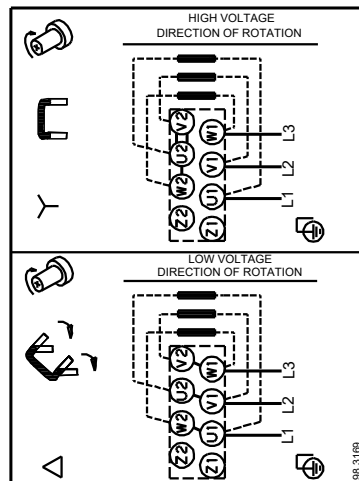
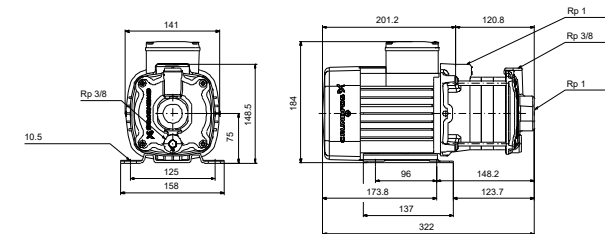
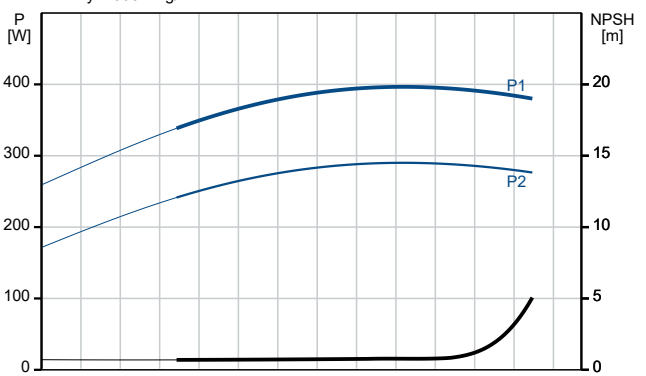
Pumped liquid = Water
 Liquid temperature during operation = 20 °C
 Density = 998.2 kg/m³



| Description | Value |
|--|--------------------------------|
| General information: | |
| Product name: | CM 1-4 A-R-A-E-AVBE F-A-A-N |
| Product No: | On request |
| EAN number: | On request |
| Technical: | |
| Pump speed on which pump data are based: | 2900 rpm |
| Rated flow: | 1.7 m ³ /h |
| Rated head: | 24.6 m |
| Impellers: | 4 |
| Code for shaft seal: | AVBE |
| Approvals: | CE, EAC, UKCA |
| Approvals for drinking water: | ACS, NSF61 |
| Curve tolerance: | ISO9906:2012 3B |
| Pump version: | A |
| Model: | A |
| Materials: | |
| Pump housing: | Cast iron |
| Pump housing: | EN-GJL-200 |
| Pump housing: | ASTM A48-25A |
| Impeller: | Stainless steel |
| Impeller: | EN 1.4301 |
| Impeller: | AISI 304 |
| Material code: | A |
| Code for rubber: | E |
| Installation: | |
| Range of ambient temperature: | -20 .. 55 °C |
| Maximum operating pressure: | 10 bar |
| Max pressure at stated temp: | 10 bar / 40 °C |
| Max pressure at stated temp: | 6 bar / 90 °C |
| Type of connection: | Rp |
| Size of inlet connection: | 1 inch |
| Size of outlet connection: | 1 inch |
| Outlet position: | 12 |
| Connect code: | R |
| Liquid: | |
| Pumped liquid: | Water |
| Liquid temperature range: | -20 .. 90 °C |
| Selected liquid temperature: | 20 °C |
| Density: | 998.2 kg/m ³ |
| Electrical data: | |
| Motor standard: | IEC |
| Frame size: | 71A |
| Rated power - P2: | 0.46 kW |
| Mains frequency: | 50 Hz |
| Suitable for 50/60 Hz: | N |
| Rated voltage: | 3 x 220-240D/380-415Y V |
| Service factor: | 1.00 |
| Rated current: | 2,0-2,2/1,0-1,2 A |
| Starting current: | 490-530 % |
| Rated speed: | 2770-2820 rpm |
| Enclosure class (IEC 34-5): | IP55 |
| Insulation class (IEC 85): | F |
| Built-in motor protection: | NONE |
| Cable included (Yes/No): | N |
| Controls: | |
| Frequency converter: | NONE |
| Others: | |
| Terminal box position: | 12 |
| Minimum efficiency index, MEI ≥: | 0.7 |
| Net weight: | 11.6 kg |
| Gross weight: | 14.1 kg |
| Country of origin: | TW |



Pumped liquid = Water
Liquid temperature during operation = 20 °C
Density = 998.2 kg/m³

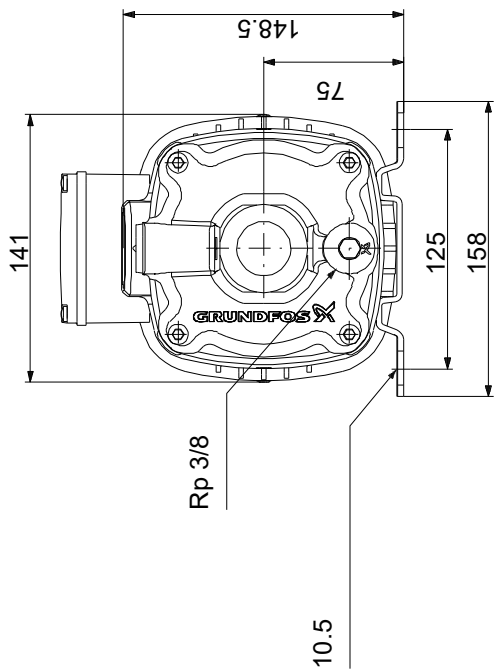
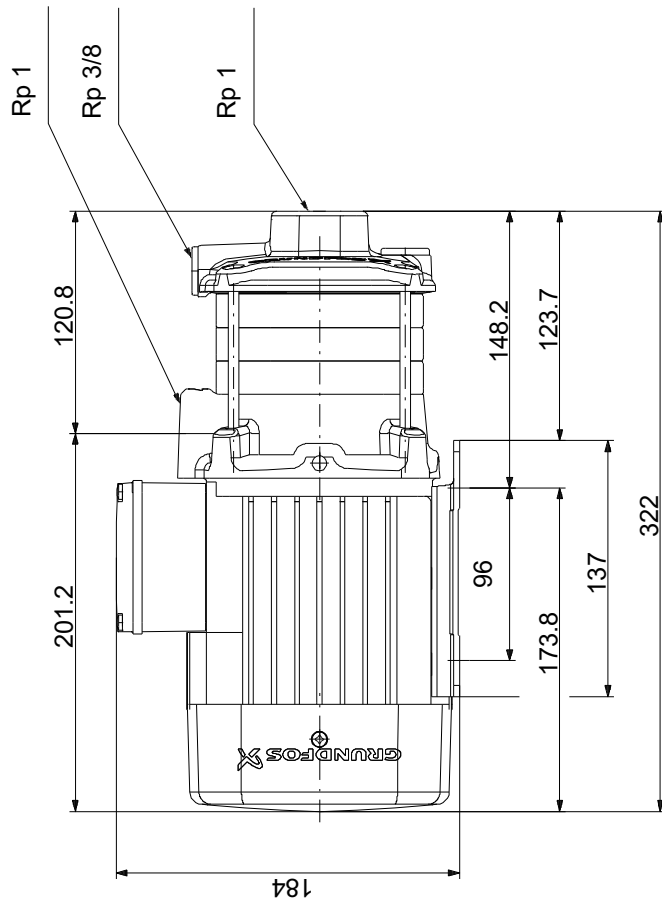


Description**Value**

Custom tariff no.:

84137042

On request CM 1-4 A-R-A-E-AVBE F-A-A-N 50 Hz



Note! All units are in [mm] unless others are stated.
 Disclaimer: This simplified dimensional drawing does not show all details.