
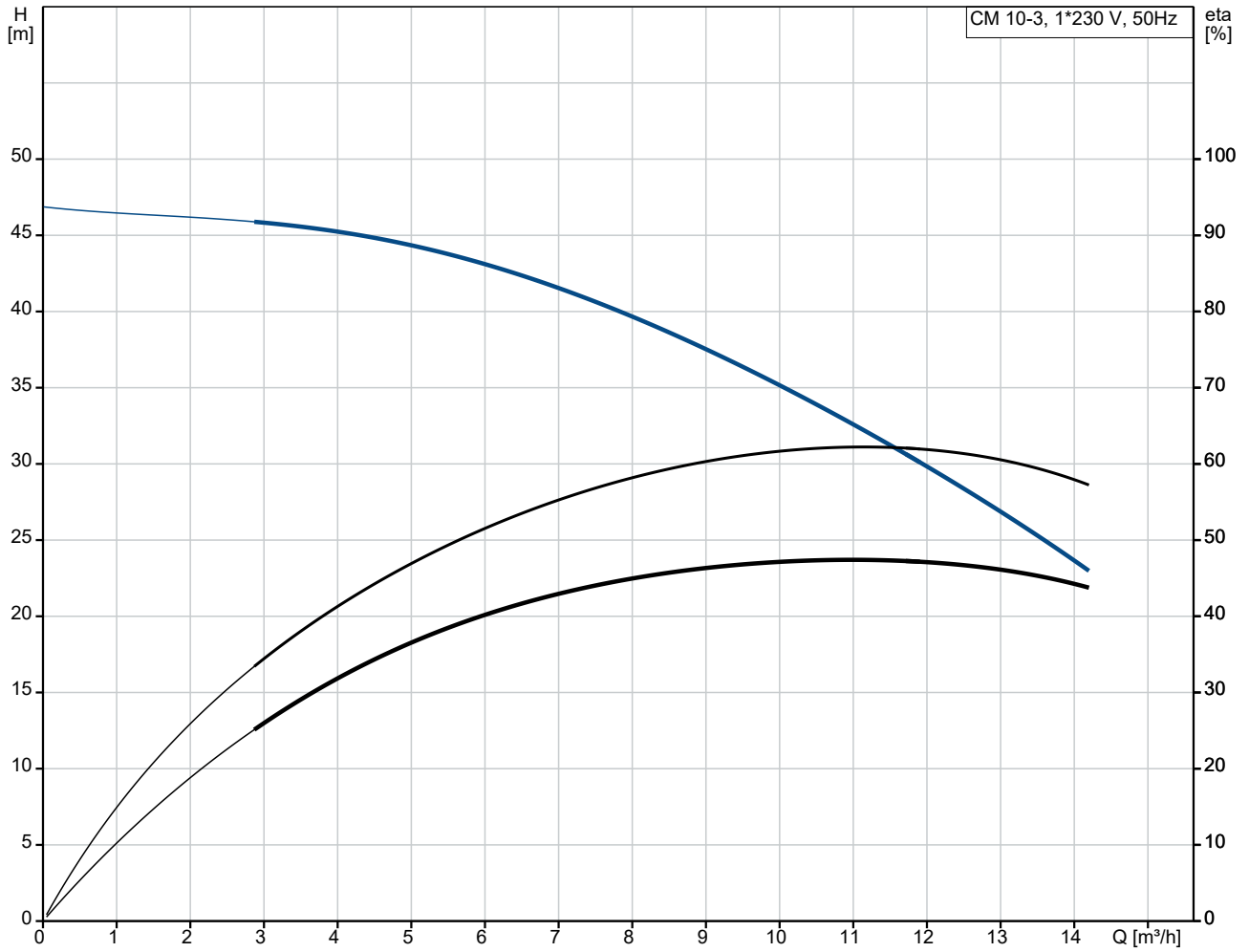


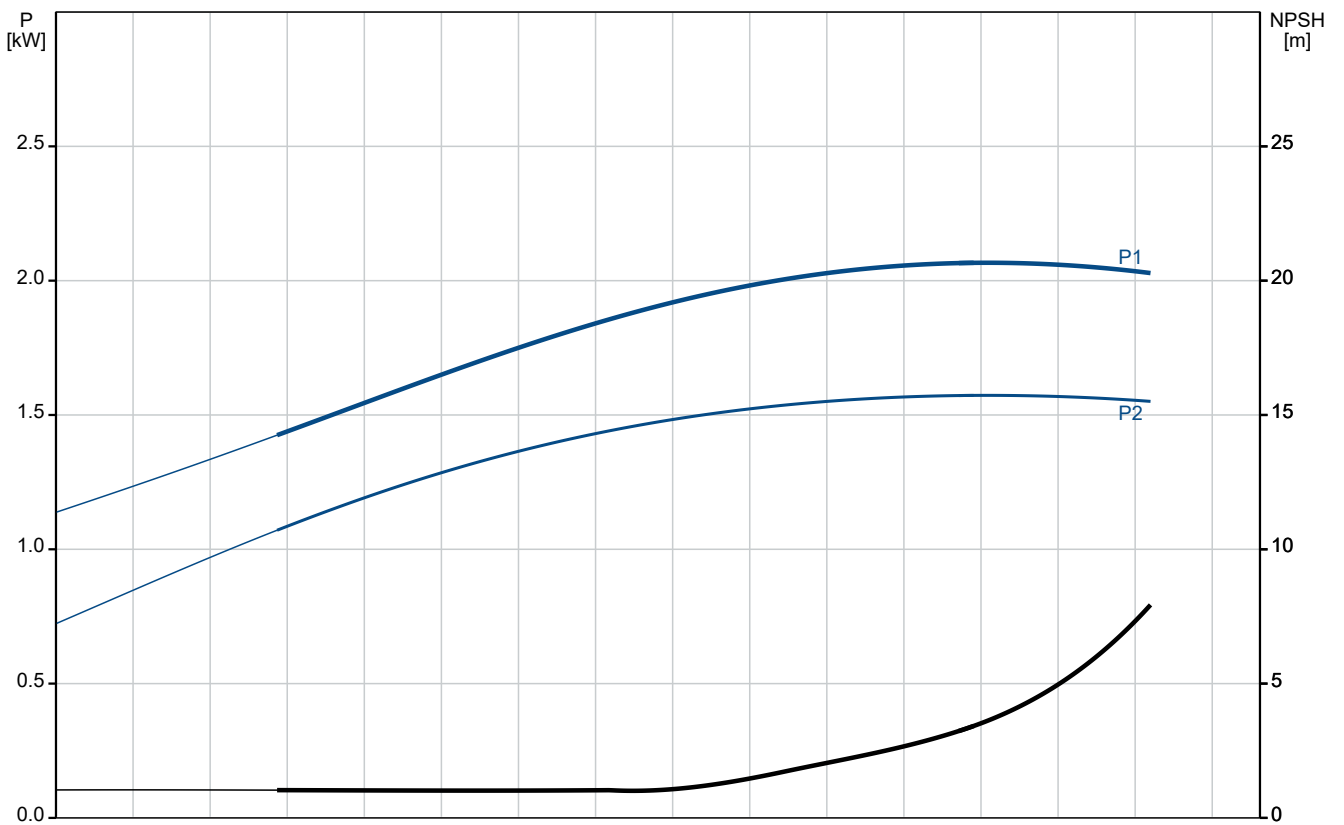
Qty.	Description
1	<p data-bbox="196 159 571 185">CM 10-3 A-R-A-E-AVBE C-A-A-N</p> <div data-bbox="279 280 491 448">  </div> <p data-bbox="592 506 1062 528" style="text-align: center;">Note! Product picture may differ from actual product</p> <p data-bbox="196 539 480 562">Product No.: On request</p> <p data-bbox="196 600 1437 696">Compact, reliable, horizontal, multistage, end-suction centrifugal pump with axial suction port and radial discharge port. The shaft, impellers and chambers are made of stainless steel. The inlet and discharge parts are made of cast iron. The mechanical shaft seal is a special designed, unbalanced O-ring seal. Pipework connection is via internal Whitworth pipe threads, Rp (ISO 7/1).</p> <p data-bbox="196 712 1070 734">The pump is fitted with a 1-phase, foot-mounted, fan-cooled asynchronous motor.</p> <p data-bbox="196 772 300 795">Controls:</p> <p data-bbox="196 801 635 824">Frequency converter: NONE</p> <p data-bbox="196 862 272 884">Liquid:</p> <p data-bbox="196 891 635 913">Pumped liquid: Water</p> <p data-bbox="196 920 687 943">Liquid temperature range: -20 .. 90 °C</p> <p data-bbox="196 949 635 972">Selected liquid temperature: 20 °C</p> <p data-bbox="196 978 695 1001">Density: 998.2 kg/m³</p> <p data-bbox="196 1039 316 1061">Technical:</p> <p data-bbox="196 1068 820 1090">Pump speed on which pump data are based: 2900 rpm</p> <p data-bbox="196 1097 651 1120">Rated flow: 10 m³/h</p> <p data-bbox="196 1126 655 1149">Rated head: 40.51 m</p> <p data-bbox="196 1155 635 1178">Code for shaft seal: AVBE</p> <p data-bbox="196 1184 730 1207">Approvals: CE,EAC,UKCA</p> <p data-bbox="196 1214 695 1236">Approvals for drinking water: ACS,NSF61</p> <p data-bbox="196 1243 759 1265">Curve tolerance: ISO9906:2012 3B</p> <p data-bbox="196 1303 308 1326">Materials:</p> <p data-bbox="196 1332 735 1417">Pump housing: Cast iron EN-GJL-200 ASTM A48-25A</p> <p data-bbox="196 1424 724 1509">Impeller: Stainless steel EN 1.4301 AISI 304</p> <p data-bbox="196 1547 325 1570">Installation:</p> <p data-bbox="196 1576 691 1599">Range of ambient temperature: -20 .. 55 °C</p> <p data-bbox="196 1606 635 1628">Maximum operating pressure: 10 bar</p> <p data-bbox="196 1635 715 1688">Max pressure at stated temp: 10 bar / 40 °C 6 bar / 90 °C</p> <p data-bbox="196 1695 671 1807">Type of connection: Rp Size of inlet connection: 1 1/2 inch Size of outlet connection: 1 1/2 inch Outlet position: 12</p> <p data-bbox="196 1845 363 1868">Electrical data:</p> <p data-bbox="196 1874 608 1897">Motor standard: IEC</p> <p data-bbox="196 1904 628 1926">Frame size: 90SB</p> <p data-bbox="196 1933 643 1955">Rated power - P2: 1.7 kW</p> <p data-bbox="196 1962 632 1984">Mains frequency: 50 Hz</p> <p data-bbox="196 1991 584 2013">Suitable for 50/60 Hz: N</p> <p data-bbox="196 2020 740 2042">Rated voltage: 1 x 220-240 V V</p> <p data-bbox="196 2049 616 2072">Service factor: 1.00</p> <p data-bbox="196 2078 692 2101">Rated current: 11.2-10.0 A</p>

Qty.	Description
1	<p>Starting current: 370-370 % Rated speed: 2740-2755 rpm Enclosure class (IEC 34-5): IP55 Insulation class (IEC 85): F Built-in motor protection: PTO Cable included (Yes/No): N</p> <p>Others: Terminal box position: 12 Minimum efficiency index, MEI ≥: 0.7 Net weight: 32.6 kg Gross weight: 35.1 kg Country of origin: TW Custom tariff no.: 84137042</p>

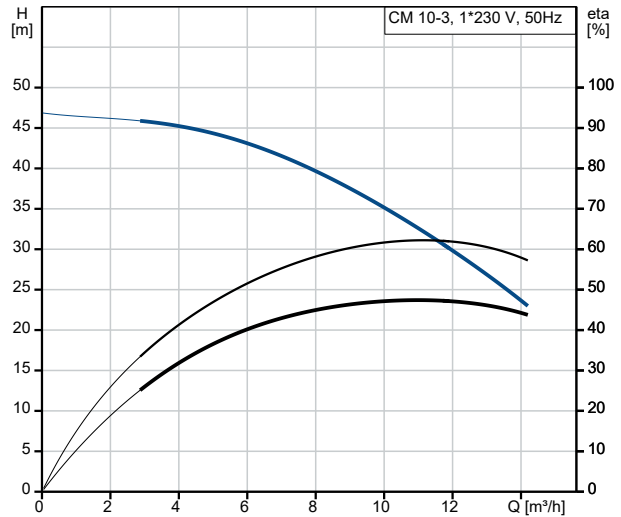
On request CM 10-3 A-R-A-E-AVBE C-A-A-N 50 Hz



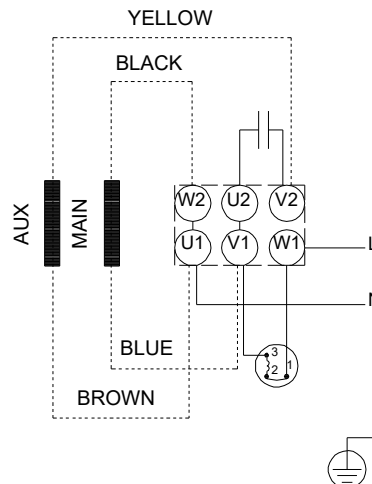
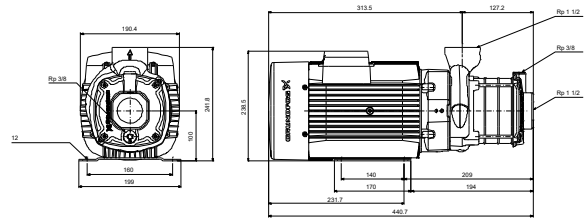
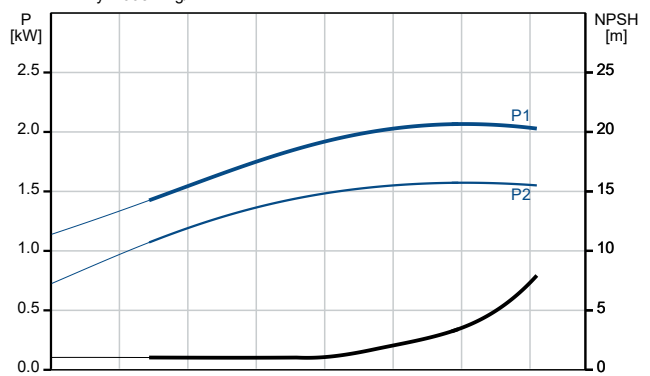
Pumped liquid = Water
 Liquid temperature during operation = 20 °C
 Density = 998.2 kg/m³



Description	Value
General information:	
Product name:	CM 10-3 A-R-A-E-AVBE C-A-A-N
Product No:	On request
EAN number:	On request
Technical:	
Pump speed on which pump data are based:	2900 rpm
Rated flow:	10 m ³ /h
Rated head:	40.51 m
Impellers:	3
Code for shaft seal:	AVBE
Approvals:	CE,EAC,UKCA
Approvals for drinking water:	ACS,NSF61
Curve tolerance:	ISO9906:2012 3B
Pump version:	A
Model:	A
Materials:	
Pump housing:	Cast iron
Pump housing:	EN-GJL-200
Pump housing:	ASTM A48-25A
Impeller:	Stainless steel
Impeller:	EN 1.4301
Impeller:	AISI 304
Material code:	A
Code for rubber:	E
Installation:	
Range of ambient temperature:	-20 .. 55 °C
Maximum operating pressure:	10 bar
Max pressure at stated temp:	10 bar / 40 °C
Max pressure at stated temp:	6 bar / 90 °C
Type of connection:	Rp
Size of inlet connection:	1 1/2 inch
Size of outlet connection:	1 1/2 inch
Outlet position:	12
Connect code:	R
Liquid:	
Pumped liquid:	Water
Liquid temperature range:	-20 .. 90 °C
Selected liquid temperature:	20 °C
Density:	998.2 kg/m ³
Electrical data:	
Motor standard:	IEC
Frame size:	90SB
Rated power - P2:	1.7 kW
Mains frequency:	50 Hz
Suitable for 50/60 Hz:	N
Rated voltage:	1 x 220-240 V V
Service factor:	1.00
Rated current:	11.2-10.0 A
Starting current:	370-370 %
Rated speed:	2740-2755 rpm
Enclosure class (IEC 34-5):	IP55
Insulation class (IEC 85):	F
Built-in motor protection:	PTO
Cable included (Yes/No):	N
Controls:	
Frequency converter:	NONE
Others:	
Terminal box position:	12
Minimum efficiency index, MEI ≥:	0.7
Net weight:	32.6 kg
Gross weight:	35.1 kg
Country of origin:	TW



Pumped liquid = Water
Liquid temperature during operation = 20 °C
Density = 998.2 kg/m³

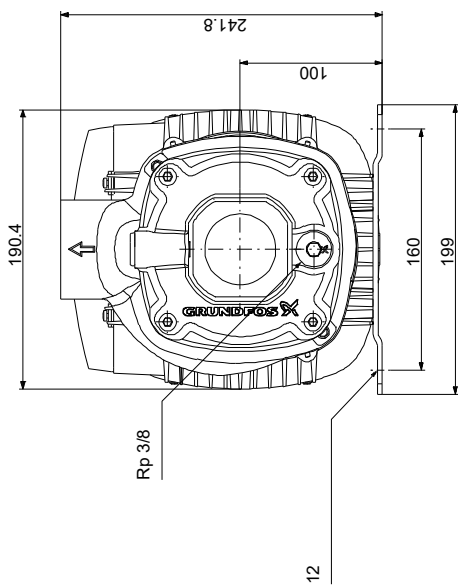
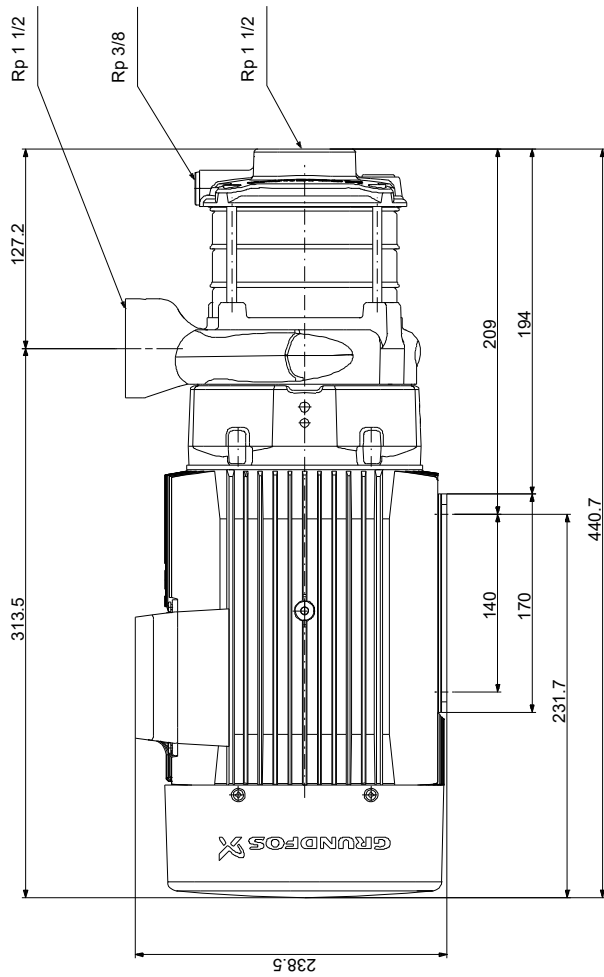


Description**Value**

Custom tariff no.:

84137042

On request CM 10-3 A-R-A-E-AVBE C-A-A-N 50 Hz



Note! All units are in [mm] unless others are stated.
 Disclaimer: This simplified dimensional drawing does not show all details.