
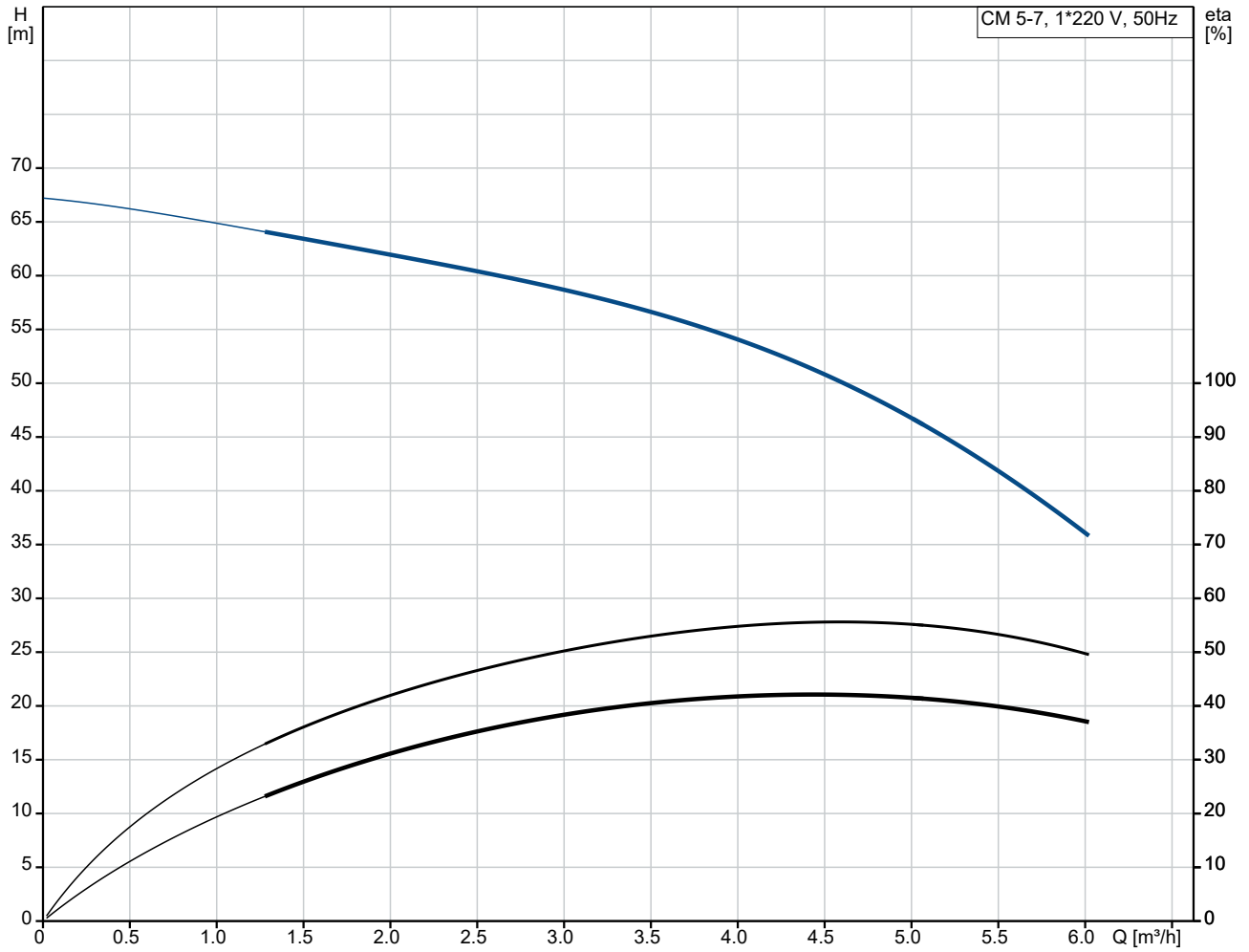


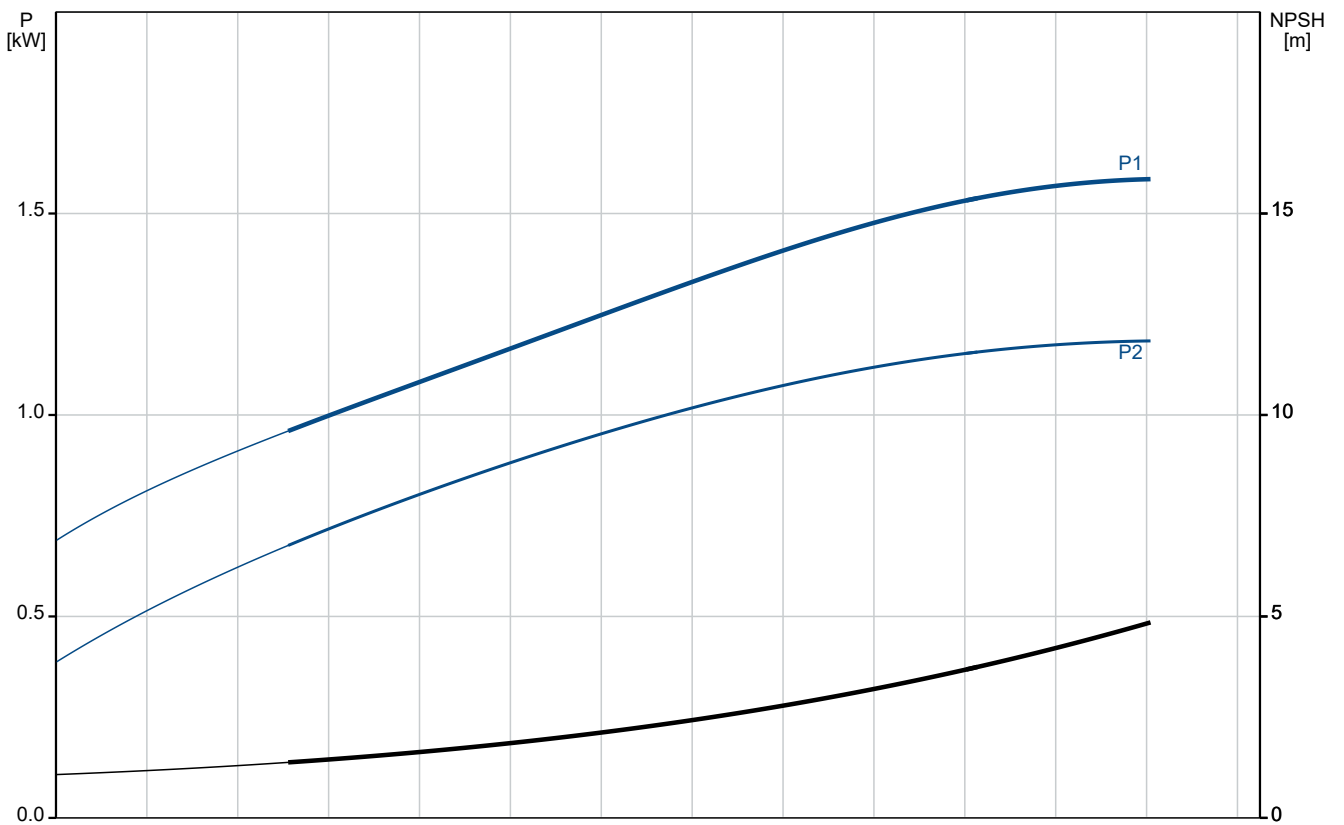
Qty.	Description
1	<p data-bbox="196 159 558 190">CM 5-7 A-R-A-E-AVBE C-A-A-N</p> <div data-bbox="279 280 491 448">  </div> <p data-bbox="592 506 1064 530" style="text-align: center;">Note! Product picture may differ from actual product</p> <p data-bbox="196 539 478 564">Product No.: On request</p> <p data-bbox="196 600 1437 696">Compact, reliable, horizontal, multistage, end-suction centrifugal pump with axial suction port and radial discharge port. The shaft, impellers and chambers are made of stainless steel. The inlet and discharge parts are made of cast iron. The mechanical shaft seal is a special designed, unbalanced O-ring seal. Pipework connection is via internal Whitworth pipe threads, Rp (ISO 7/1).</p> <p data-bbox="196 712 1070 736">The pump is fitted with a 1-phase, foot-mounted, fan-cooled asynchronous motor.</p> <p data-bbox="196 772 300 797">Controls:</p> <p data-bbox="196 799 636 824">Frequency converter: NONE</p> <p data-bbox="196 860 276 884">Liquid:</p> <p data-bbox="196 887 632 911">Pumped liquid: Water</p> <p data-bbox="196 913 691 938">Liquid temperature range: -20 .. 40 °C</p> <p data-bbox="196 940 628 965">Selected liquid temperature: 20 °C</p> <p data-bbox="196 967 695 992">Density: 998.2 kg/m³</p> <p data-bbox="196 1037 312 1061">Technical:</p> <p data-bbox="196 1064 820 1088">Pump speed on which pump data are based: 2900 rpm</p> <p data-bbox="196 1090 655 1115">Rated flow: 4.7 m³/h</p> <p data-bbox="196 1117 655 1142">Rated head: 54.46 m</p> <p data-bbox="196 1144 632 1169">Code for shaft seal: AVBE</p> <p data-bbox="196 1171 732 1196">Approvals: CE,EAC,UKCA</p> <p data-bbox="196 1198 695 1223">Approvals for drinking water: ACS,NSF61</p> <p data-bbox="196 1225 759 1249">Curve tolerance: ISO9906:2012 3B</p> <p data-bbox="196 1294 308 1319">Materials:</p> <p data-bbox="196 1321 735 1417">Pump housing: Cast iron EN-GJL-200 ASTM A48-25A</p> <p data-bbox="196 1420 724 1516">Impeller: Stainless steel EN 1.4301 AISI 304</p> <p data-bbox="196 1538 325 1563">Installation:</p> <p data-bbox="196 1565 691 1590">Range of ambient temperature: -20 .. 55 °C</p> <p data-bbox="196 1592 636 1617">Maximum operating pressure: 10 bar</p> <p data-bbox="196 1619 716 1686">Max pressure at stated temp: 10 bar / 40 °C 10 bar / 40 °C</p> <p data-bbox="196 1688 596 1713">Type of connection: Rp</p> <p data-bbox="196 1715 671 1740">Size of inlet connection: 1 1/4 inch</p> <p data-bbox="196 1742 632 1767">Size of outlet connection: 1 inch</p> <p data-bbox="196 1769 596 1794">Outlet position: 12</p> <p data-bbox="196 1839 363 1863">Electrical data:</p> <p data-bbox="196 1865 608 1890">Motor standard: IEC</p> <p data-bbox="196 1892 628 1917">Frame size: 90SA</p> <p data-bbox="196 1919 643 1944">Rated power - P2: 1.3 kW</p> <p data-bbox="196 1946 632 1971">Mains frequency: 50 Hz</p> <p data-bbox="196 1973 584 1998">Suitable for 50/60 Hz: N</p> <p data-bbox="196 2000 740 2024">Rated voltage: 1 x 220-240 V V</p> <p data-bbox="196 2027 616 2051">Service factor: 1.00</p> <p data-bbox="196 2054 667 2078">Rated current: 8.4-8.0 A</p>

Qty.	Description
1	<p>Starting current: 340-340 % Rated speed: 2710 rpm Enclosure class (IEC 34-5): IP55 Insulation class (IEC 85): F Built-in motor protection: PTO Cable included (Yes/No): N</p> <p>Others: Terminal box position: 12 Minimum efficiency index, MEI ≥: 0.7 Net weight: 22.9 kg Gross weight: 25.4 kg Country of origin: TW Custom tariff no.: 84137042</p>

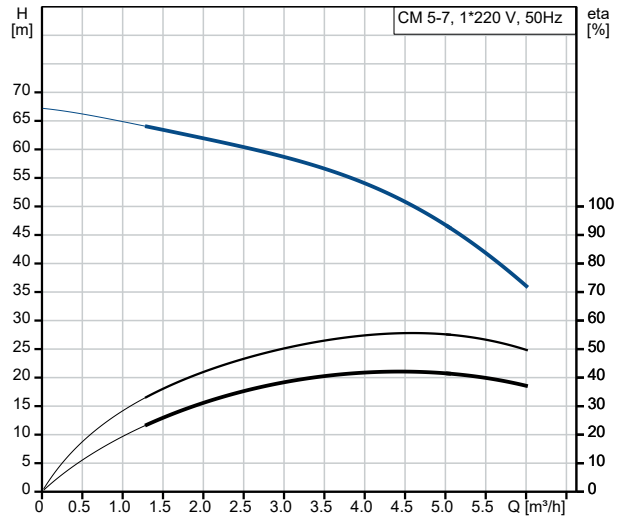
On request CM 5-7 A-R-A-E-AVBE C-A-A-N 50 Hz



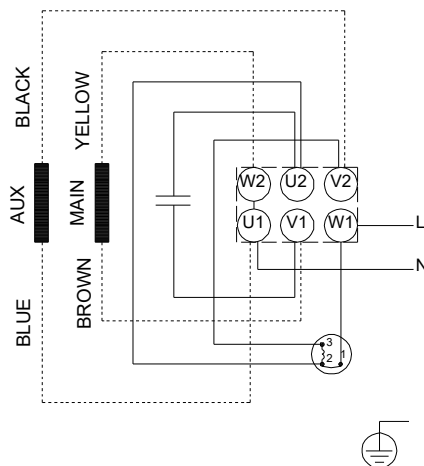
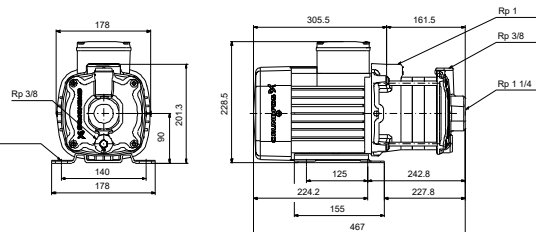
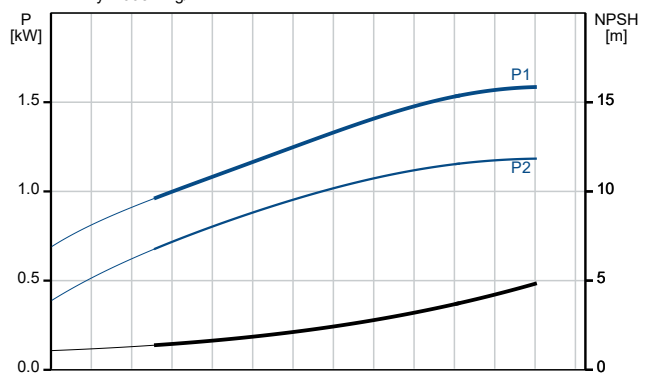
Pumped liquid = Water
 Liquid temperature during operation = 20 °C
 Density = 998.2 kg/m³



Description	Value
General information:	
Product name:	CM 5-7 A-R-A-E-AVBE C-A-A-N
Product No:	On request
EAN number:	On request
Technical:	
Pump speed on which pump data are based:	2900 rpm
Rated flow:	4.7 m ³ /h
Rated head:	54.46 m
Impellers:	7
Code for shaft seal:	AVBE
Approvals:	CE,EAC,UKCA
Approvals for drinking water:	ACS,NSF61
Curve tolerance:	ISO9906:2012 3B
Pump version:	A
Model:	A
Materials:	
Pump housing:	Cast iron
Pump housing:	EN-GJL-200
Pump housing:	ASTM A48-25A
Impeller:	Stainless steel
Impeller:	EN 1.4301
Impeller:	AISI 304
Material code:	A
Code for rubber:	E
Installation:	
Range of ambient temperature:	-20 .. 55 °C
Maximum operating pressure:	10 bar
Max pressure at stated temp:	10 bar / 40 °C
Max pressure at stated temp:	10 bar / 40 °C
Type of connection:	Rp
Size of inlet connection:	1 1/4 inch
Size of outlet connection:	1 inch
Outlet position:	12
Connect code:	R
Liquid:	
Pumped liquid:	Water
Liquid temperature range:	-20 .. 40 °C
Selected liquid temperature:	20 °C
Density:	998.2 kg/m ³
Electrical data:	
Motor standard:	IEC
Frame size:	90SA
Rated power - P2:	1.3 kW
Mains frequency:	50 Hz
Suitable for 50/60 Hz:	N
Rated voltage:	1 x 220-240 V V
Service factor:	1.00
Rated current:	8.4-8.0 A
Starting current:	340-340 %
Rated speed:	2710 rpm
Enclosure class (IEC 34-5):	IP55
Insulation class (IEC 85):	F
Built-in motor protection:	PTO
Cable included (Yes/No):	N
Controls:	
Frequency converter:	NONE
Others:	
Terminal box position:	12
Minimum efficiency index, MEI ≥:	0.7
Net weight:	22.9 kg
Gross weight:	25.4 kg
Country of origin:	TW



Pumped liquid = Water
Liquid temperature during operation = 20 °C
Density = 998.2 kg/m³

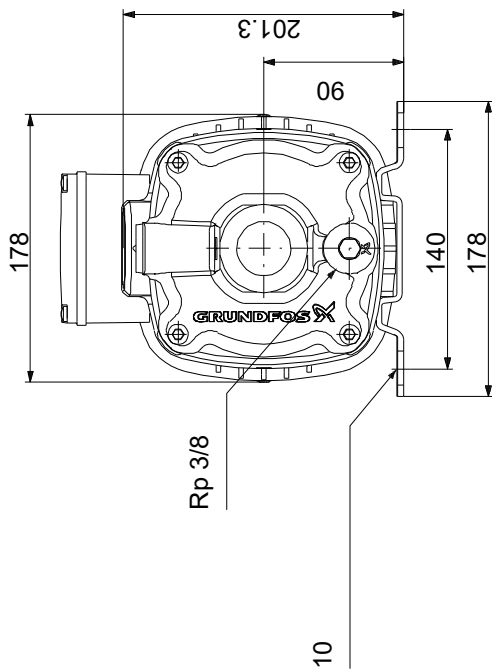
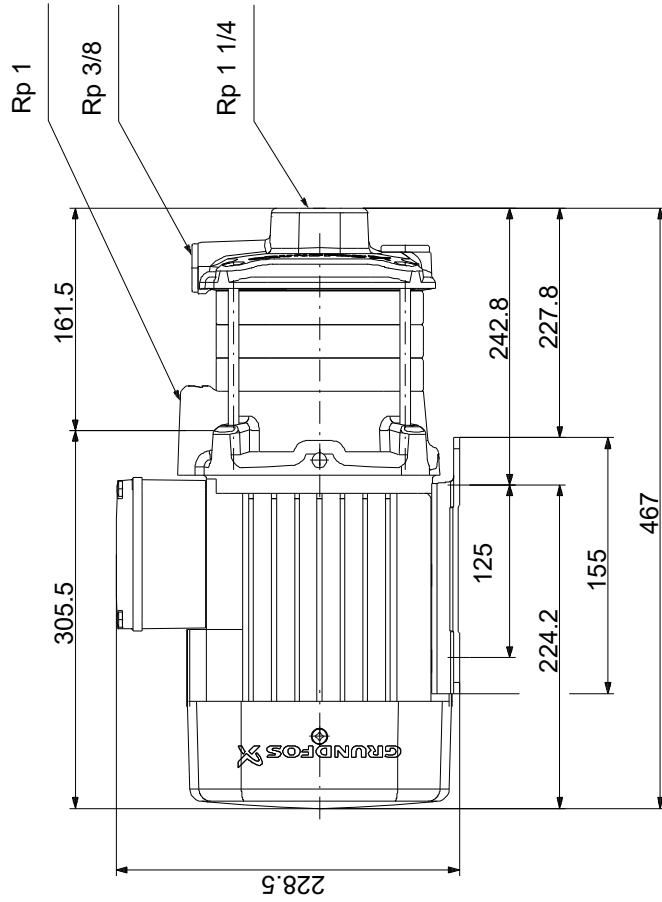


Description**Value**

Custom tariff no.:

84137042

On request CM 5-7 A-R-A-E-AVBE C-A-A-N 50 Hz



Note! All units are in [mm] unless others are stated.
 Disclaimer: This simplified dimensional drawing does not show all details.