
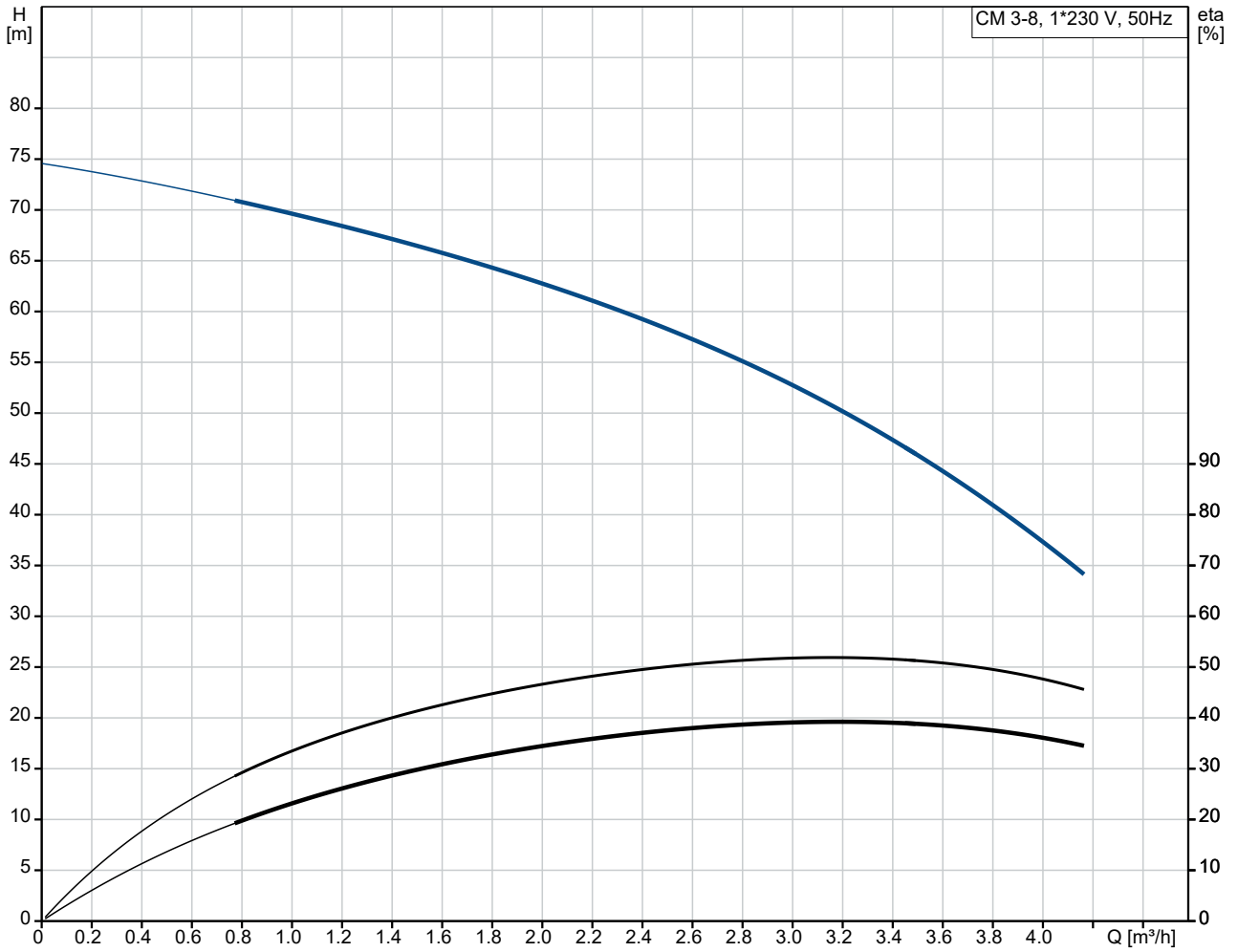


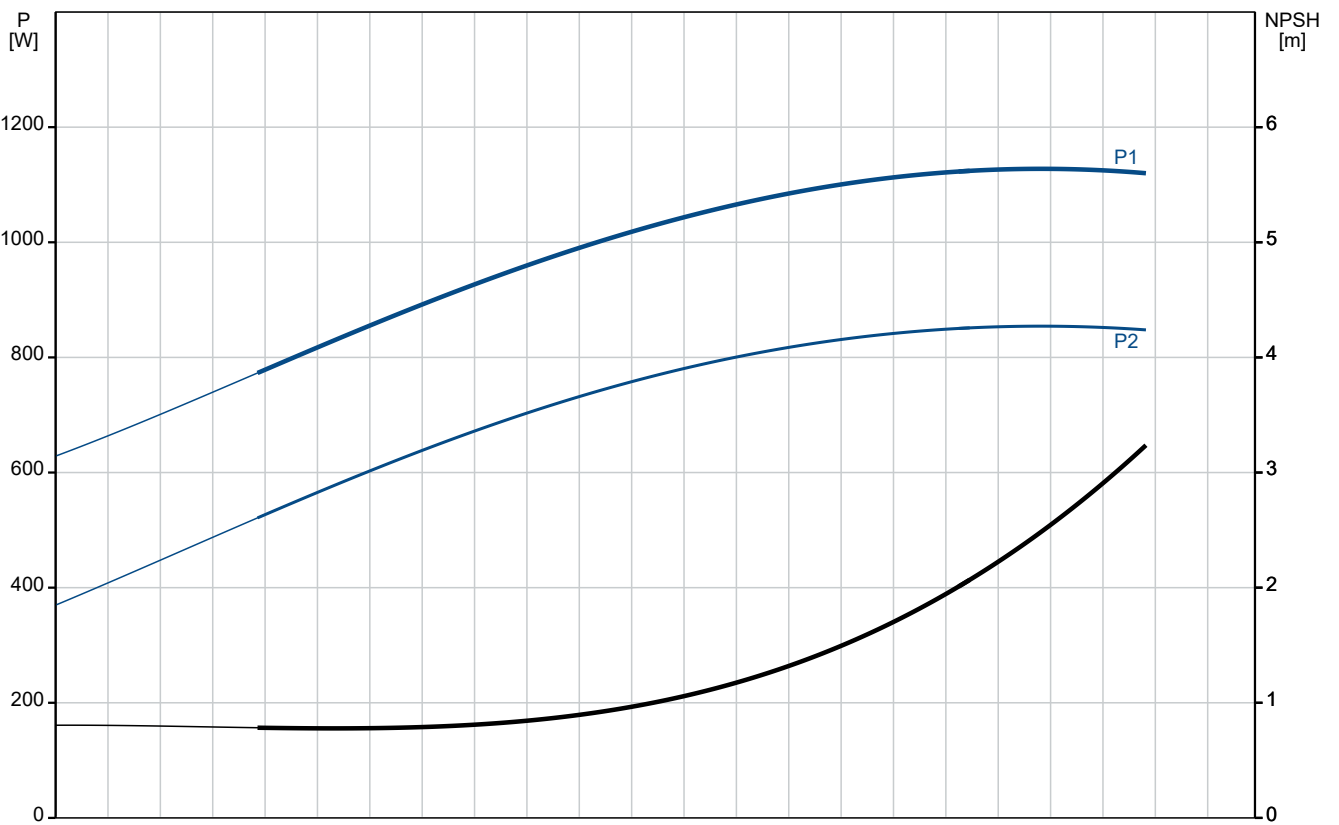
Qty.	Description
1	<b>CM 3-8 A-R-A-E-AVBE C-A-A-N</b>
	
	Product No.: On request
	<p>Compact, reliable, horizontal, multistage, end-suction centrifugal pump with axial suction port and radial discharge port. The shaft, impellers and chambers are made of stainless steel. The inlet and discharge parts are made of cast iron. The mechanical shaft seal is a special designed, unbalanced O-ring seal. Pipework connection is via internal Whitworth pipe threads, Rp (ISO 7/1).</p>
	<p>The pump is fitted with a 1-phase, foot-mounted, fan-cooled asynchronous motor.</p>
	<p>Controls:            Frequency converter: NONE</p>
	<p>Liquid:            Pumped liquid: Water            Liquid temperature range: -20 .. 40 °C            Selected liquid temperature: 20 °C            Density: 998.2 kg/m<sup>3</sup></p>
	<p>Technical:            Pump speed on which pump data are based: 2900 rpm            Rated flow: 3.1 m<sup>3</sup>/h            Rated head: 55.94 m            Code for shaft seal: AVBE            Approvals: CE,EAC,UKCA            Approvals for drinking water: ACS,NSF61            Curve tolerance: ISO9906:2012 3B</p>
	<p>Materials:            Pump housing: Cast iron                              EN-GJL-200                              ASTM A48-25A            Impeller: Stainless steel                              EN 1.4301                              AISI 304</p>
	<p>Installation:            Range of ambient temperature: -20 .. 55 °C            Maximum operating pressure: 10 bar            Max pressure at stated temp: 10 bar / 40 °C              10 bar / 40 °C</p>
	<p>Type of connection: Rp            Size of inlet connection: 1 inch            Size of outlet connection: 1 inch            Outlet position: 12</p>
	<p>Electrical data:            Motor standard: IEC            Frame size: 80B            Rated power - P2: 0.9 kW            Mains frequency: 50 Hz            Suitable for 50/60 Hz: N            Rated voltage: 1 x 220-240 V V            Service factor: 1.00            Rated current: 5.4-5.0 A            Starting current: 430-430 %</p>

Qty.	Description
1	<p>Rated speed: 2750-2790 rpm</p> <p>Enclosure class (IEC 34-5): IP55</p> <p>Insulation class (IEC 85): F</p> <p>Built-in motor protection: PTO</p> <p>Cable included (Yes/No): N</p> <p>Others:</p> <p>Terminal box position: 12</p> <p>Minimum efficiency index, MEI ≥: 0.7</p> <p>Net weight: 15.8 kg</p> <p>Gross weight: 18.3 kg</p> <p>Country of origin: TW</p> <p>Custom tariff no.: 84137042</p>

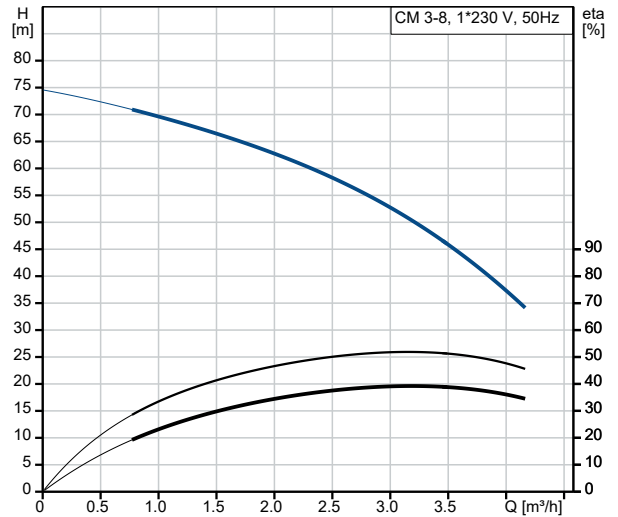
# On request CM 3-8 A-R-A-E-AVBE C-A-A-N 50 Hz



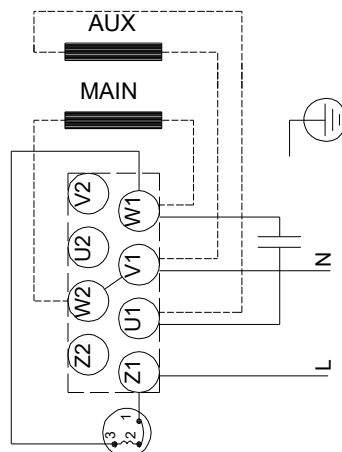
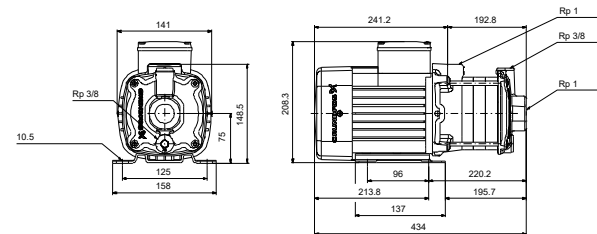
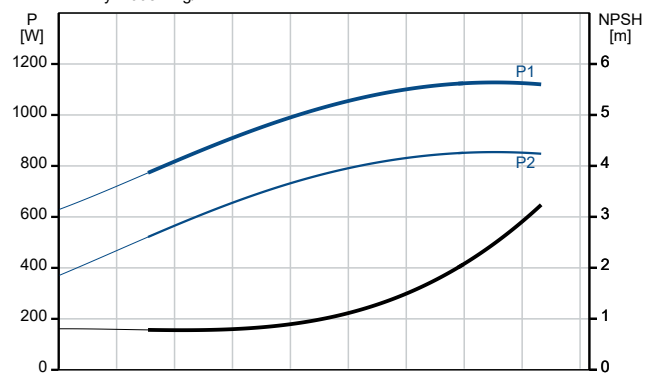
Pumped liquid = Water  
 Liquid temperature during operation = 20 °C  
 Density = 998.2 kg/m³



Description	Value
<b>General information:</b>	
Product name:	CM 3-8 A-R-A-E-AVBE C-A-A-N
Product No:	On request
EAN number:	On request
<b>Technical:</b>	
Pump speed on which pump data are based:	2900 rpm
Rated flow:	3.1 m <sup>3</sup> /h
Rated head:	55.94 m
Impellers:	8
Code for shaft seal:	AVBE
Approvals:	CE,EAC,UKCA
Approvals for drinking water:	ACS,NSF61
Curve tolerance:	ISO9906:2012 3B
Pump version:	A
Model:	A
<b>Materials:</b>	
Pump housing:	Cast iron
Pump housing:	EN-GJL-200
Pump housing:	ASTM A48-25A
Impeller:	Stainless steel
Impeller:	EN 1.4301
Impeller:	AISI 304
Material code:	A
Code for rubber:	E
<b>Installation:</b>	
Range of ambient temperature:	-20 .. 55 °C
Maximum operating pressure:	10 bar
Max pressure at stated temp:	10 bar / 40 °C
Max pressure at stated temp:	10 bar / 40 °C
Type of connection:	Rp
Size of inlet connection:	1 inch
Size of outlet connection:	1 inch
Outlet position:	12
Connect code:	R
<b>Liquid:</b>	
Pumped liquid:	Water
Liquid temperature range:	-20 .. 40 °C
Selected liquid temperature:	20 °C
Density:	998.2 kg/m <sup>3</sup>
<b>Electrical data:</b>	
Motor standard:	IEC
Frame size:	80B
Rated power - P2:	0.9 kW
Mains frequency:	50 Hz
Suitable for 50/60 Hz:	N
Rated voltage:	1 x 220-240 V V
Service factor:	1.00
Rated current:	5.4-5.0 A
Starting current:	430-430 %
Rated speed:	2750-2790 rpm
Enclosure class (IEC 34-5):	IP55
Insulation class (IEC 85):	F
Built-in motor protection:	PTO
Cable included (Yes/No):	N
<b>Controls:</b>	
Frequency converter:	NONE
<b>Others:</b>	
Terminal box position:	12
Minimum efficiency index, MEI ≥:	0.7
Net weight:	15.8 kg
Gross weight:	18.3 kg
Country of origin:	TW



Pumped liquid = Water  
 Liquid temperature during operation = 20 °C  
 Density = 998.2 kg/m<sup>3</sup>

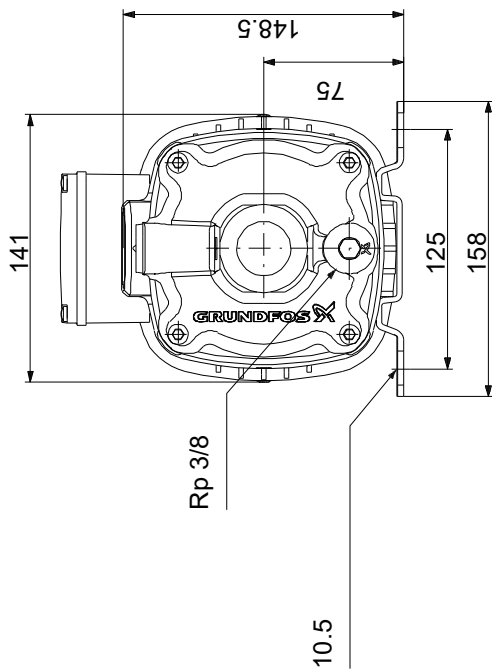
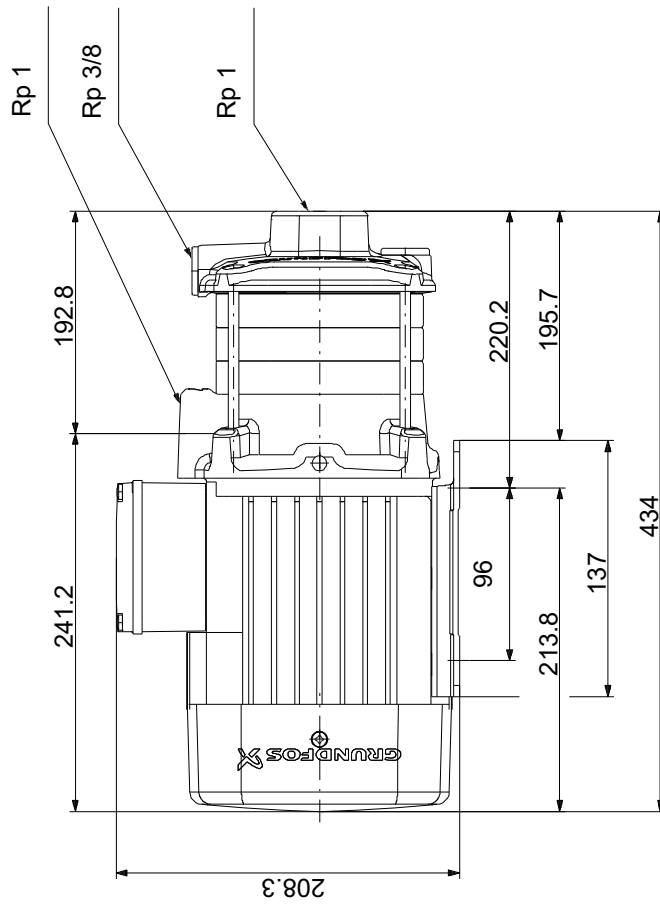


**Description****Value**

Custom tariff no.:

84137042

# On request CM 3-8 A-R-A-E-AVBE C-A-A-N 50 Hz



Note! All units are in [mm] unless others are stated.  
Disclaimer: This simplified dimensional drawing does not show all details.