
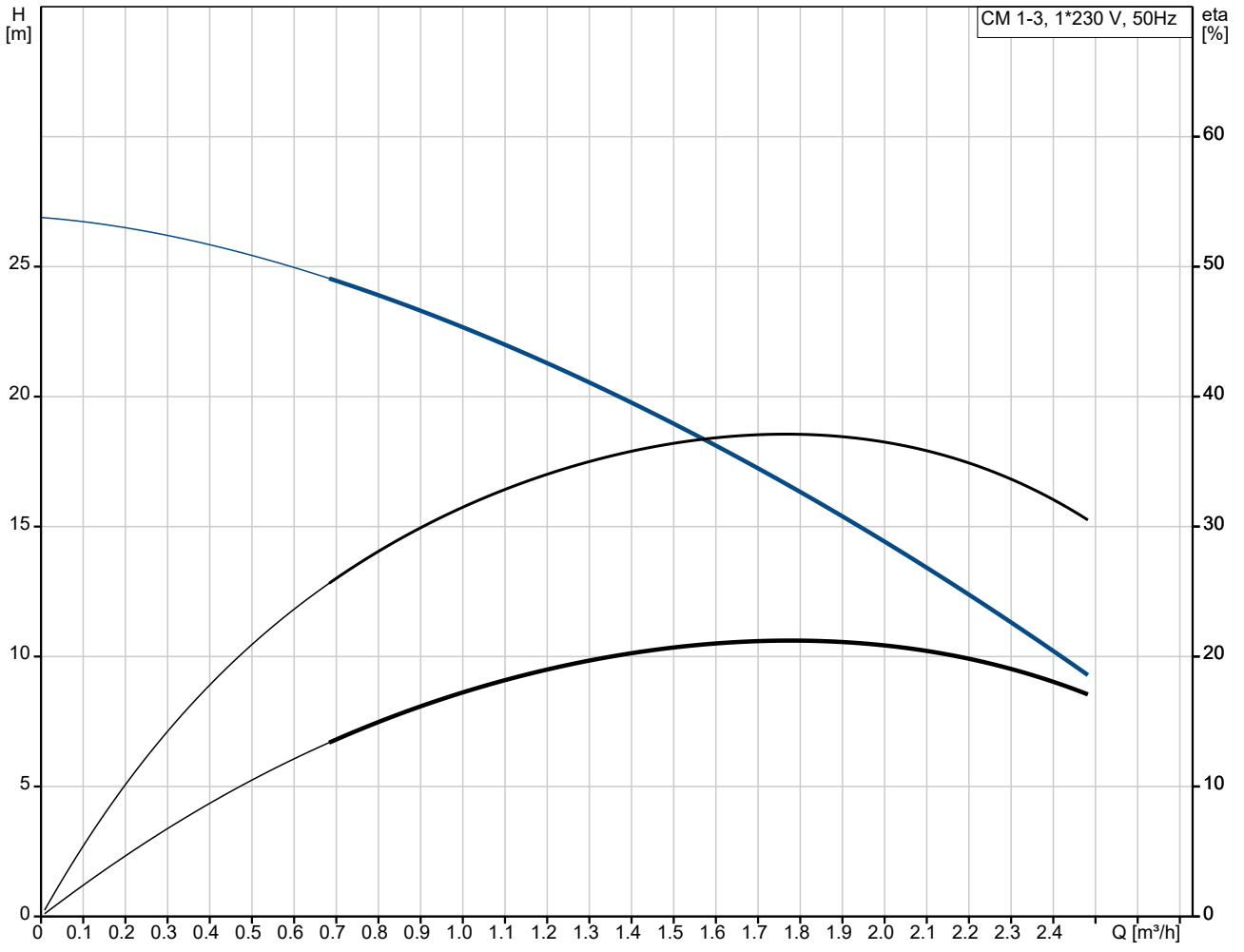


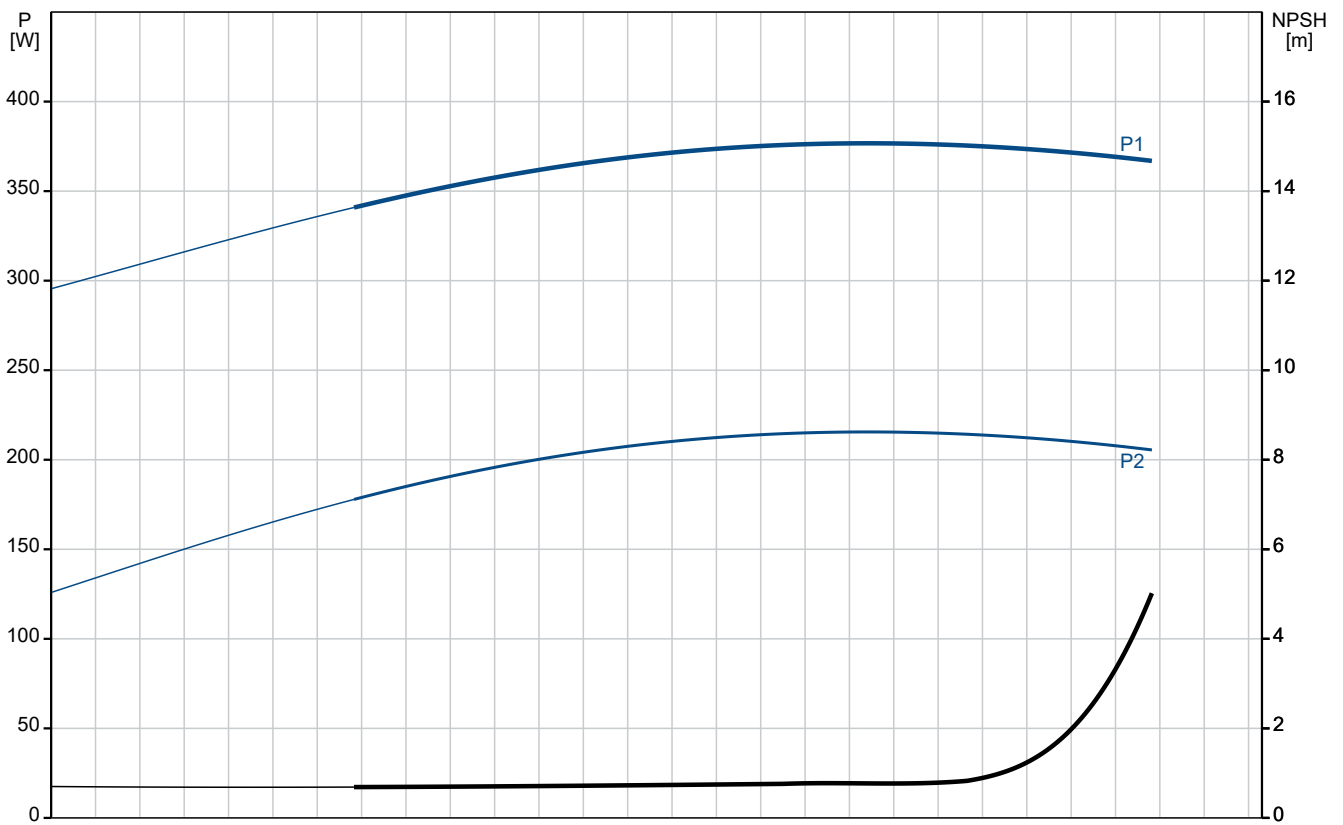
Qty.	Description
1	CM 1-3 A-R-A-E-AVBE C-A-A-N
	
	Product No.: On request
	<p>Compact, reliable, horizontal, multistage, end-suction centrifugal pump with axial suction port and radial discharge port. The shaft, impellers and chambers are made of stainless steel. The inlet and discharge parts are made of cast iron. The mechanical shaft seal is a special designed, unbalanced O-ring seal. Pipework connection is via internal Whitworth pipe threads, Rp (ISO 7/1).</p>
	<p>The pump is fitted with a 1-phase, foot-mounted, fan-cooled asynchronous motor.</p>
	Controls:
	Frequency converter: NONE
	Liquid:
	Pumped liquid: Water
	Liquid temperature range: -20 .. 90 °C
	Selected liquid temperature: 20 °C
	Density: 998.2 kg/m ³
	Technical:
	Pump speed on which pump data are based: 2900 rpm
	Rated flow: 1.7 m ³ /h
	Rated head: 18.29 m
	Code for shaft seal: AVBE
	Approvals: CE,EAC,UKCA
	Approvals for drinking water: ACS,NSF61
	Curve tolerance: ISO9906:2012 3B
	Materials:
	Pump housing: Cast iron EN-GJL-200 ASTM A48-25A
	Impeller: Stainless steel EN 1.4301 AISI 304
	Installation:
	Range of ambient temperature: -20 .. 55 °C
	Maximum operating pressure: 10 bar
	Max pressure at stated temp: 10 bar / 40 °C 6 bar / 90 °C
	Type of connection: Rp
	Size of inlet connection: 1 inch
	Size of outlet connection: 1 inch
	Outlet position: 12
	Electrical data:
	Motor standard: IEC
	Frame size: 71A
	Rated power - P2: 0.3 kW
	Mains frequency: 50 Hz
	Suitable for 50/60 Hz: N
	Rated voltage: 1 x 220-240 V V
	Service factor: 1.00
	Rated current: 1.8-2.4 A
	Starting current: 340-340 %

Qty.	Description
1	<p>Rated speed: 2800-2830 rpm</p> <p>Enclosure class (IEC 34-5): IP55</p> <p>Insulation class (IEC 85): F</p> <p>Built-in motor protection: PTO</p> <p>Cable included (Yes/No): N</p> <p>Others:</p> <p>Terminal box position: 12</p> <p>Minimum efficiency index, MEI ≥: 0.7</p> <p>Net weight: 11.3 kg</p> <p>Gross weight: 13.8 kg</p> <p>Country of origin: TW</p> <p>Custom tariff no.: 84137042</p>

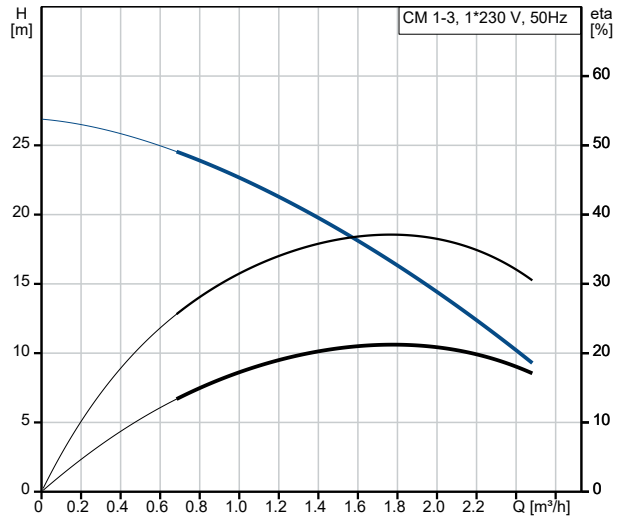
On request CM 1-3 A-R-A-E-AVBE C-A-A-N 50 Hz



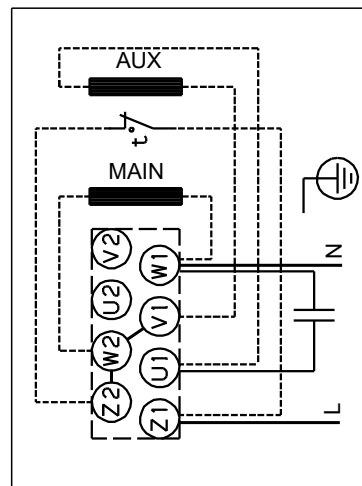
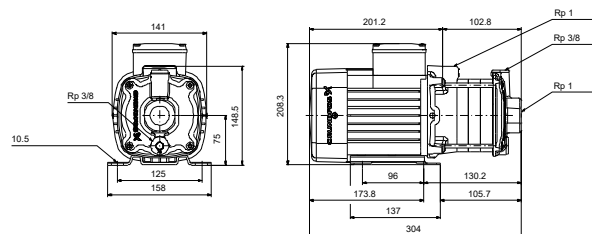
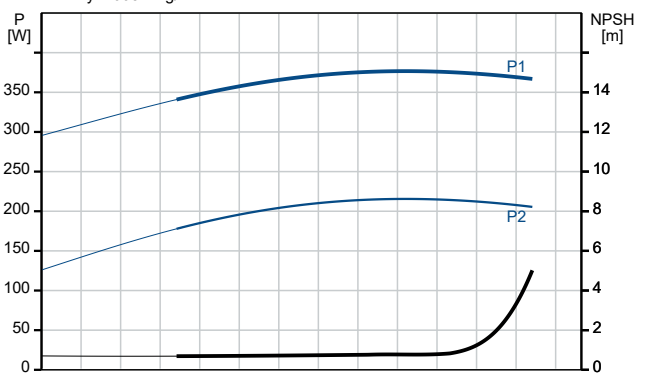
Pumped liquid = Water
 Liquid temperature during operation = 20 °C
 Density = 998.2 kg/m³



Description	Value
General information:	
Product name:	CM 1-3 A-R-A-E-AVBE C-A-A-N
Product No:	On request
EAN number:	On request
Technical:	
Pump speed on which pump data are based:	2900 rpm
Rated flow:	1.7 m ³ /h
Rated head:	18.29 m
Impellers:	3
Code for shaft seal:	AVBE
Approvals:	CE,EAC,UKCA
Approvals for drinking water:	ACS,NSF61
Curve tolerance:	ISO9906:2012 3B
Pump version:	A
Model:	A
Materials:	
Pump housing:	Cast iron
Pump housing:	EN-GJL-200
Pump housing:	ASTM A48-25A
Impeller:	Stainless steel
Impeller:	EN 1.4301
Impeller:	AISI 304
Material code:	A
Code for rubber:	E
Installation:	
Range of ambient temperature:	-20 .. 55 °C
Maximum operating pressure:	10 bar
Max pressure at stated temp:	10 bar / 40 °C
Max pressure at stated temp:	6 bar / 90 °C
Type of connection:	Rp
Size of inlet connection:	1 inch
Size of outlet connection:	1 inch
Outlet position:	12
Connect code:	R
Liquid:	
Pumped liquid:	Water
Liquid temperature range:	-20 .. 90 °C
Selected liquid temperature:	20 °C
Density:	998.2 kg/m ³
Electrical data:	
Motor standard:	IEC
Frame size:	71A
Rated power - P2:	0.3 kW
Mains frequency:	50 Hz
Suitable for 50/60 Hz:	N
Rated voltage:	1 x 220-240 V V
Service factor:	1.00
Rated current:	1.8-2.4 A
Starting current:	340-340 %
Rated speed:	2800-2830 rpm
Enclosure class (IEC 34-5):	IP55
Insulation class (IEC 85):	F
Built-in motor protection:	PTO
Cable included (Yes/No):	N
Controls:	
Frequency converter:	NONE
Others:	
Terminal box position:	12
Minimum efficiency index, MEI ≥:	0.7
Net weight:	11.3 kg
Gross weight:	13.8 kg
Country of origin:	TW



Pumped liquid = Water
Liquid temperature during operation = 20 °C
Density = 998.2 kg/m³

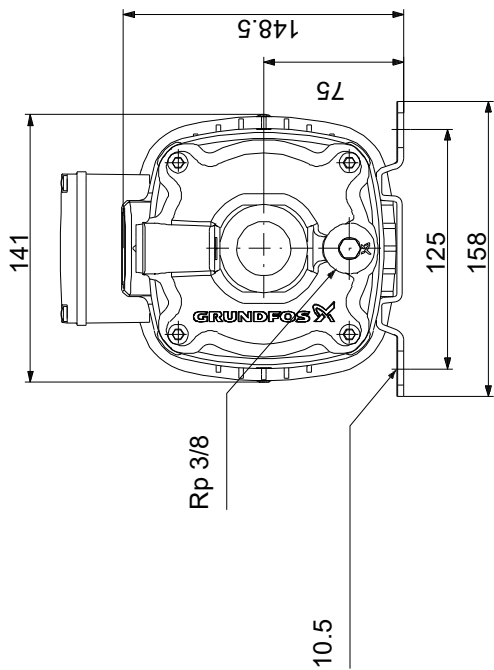
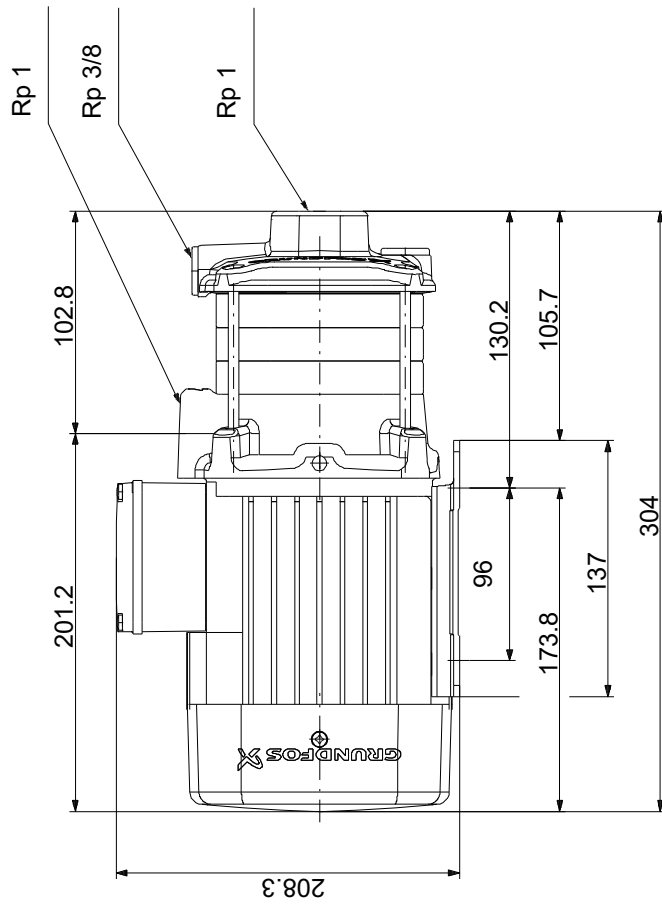


Description**Value**

Custom tariff no.:

84137042

On request CM 1-3 A-R-A-E-AVBE C-A-A-N 50 Hz



Note! All units are in [mm] unless others are stated.
 Disclaimer: This simplified dimensional drawing does not show all details.